

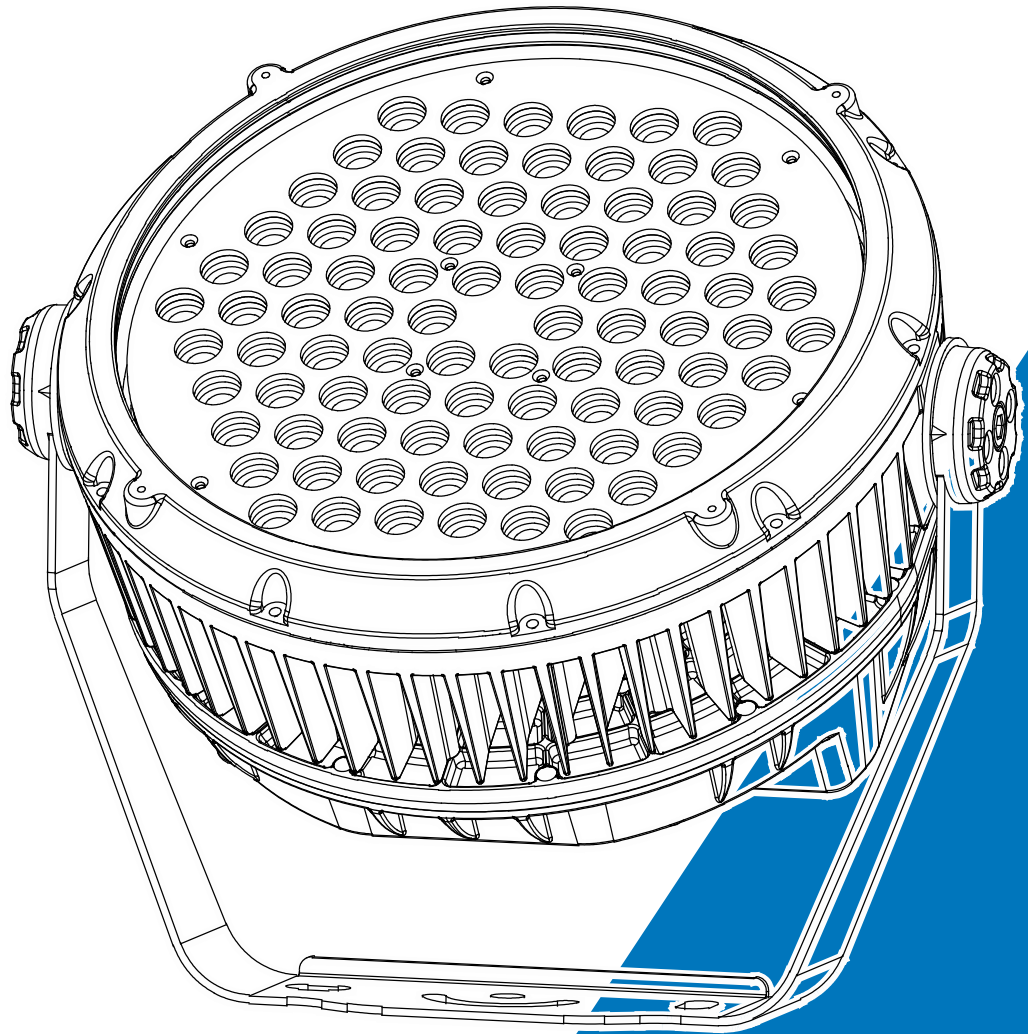


Building wash

BW-903 CW AR

BW-903 WW AR

BW-903 VW AR



User Manual

Please read the instruction carefully before use

CONTENTS

1. Safety Instruction	2
2. Technical Specifications	4
3. How To Set The Fixture	6
3.1 Control Panel	6
3.2 Main Functions	7
4. How To Control The Unit	12
4.1 DMX Controller	12
4.2 DMX 512 Configuration	12
5. DMX512 Connections	14
6. Troubleshooting	15
7. Fixture Cleaning	15

1. Safety Instruction



Please read the instructions carefully which includes important information about the installation, operation and maintenance.

- Please keep this User Guide for future consultation. If you sell the unit to another user, be sure that they also receive this instruction booklet.

Caution:

- All fixtures are intact from the manufacturer, please operate follow up the user manual, artificial fault are not under guarantee repair.
- Unpack and check carefully there is no transportation damage before using the unit.
- DO install and operate by operator.
- Use safety chain when fixes the unit.
- The unit must be installed in a location with adequate ventilation, at least 50cm from adjacent surfaces.
- Before operating, ensure that the voltage and frequency of power supply match the power requirements of the unit.
- It's important to ground the yellow/green conductor to earth in order to avoid electric shock.
- Maximum ambient temperature T_a : 40°C. Don't operate it where the temperature is higher than this.
- DO NOT connect the device to any dimmer pack.
- Make sure there are no flammable materials close to the unit while operating, as it is fire hazard.
- Look over power wires carefully, replace immediately if there is any damage.
- Unit surface temperature may reach up to 60°C. DO NOT touch the housing bare-hand during its operation.
- Avoid any inflammable liquids, water or metal objects entering the unit. Once it happen, cut off the mains power immediately.
- DO NOT operate in dirty and dusty environment, also cleaning fixtures regularly.
- DO NOT allow children to operate the fixture.
- DO NOT touch any wire during operation as there might be a hazard of electric shock.
- Avoid power wires together surrounding other cables.

- Replace fuse only with the same type.
- In the event of serious operating problem, stop using the unit immediately.
- The housing, the lenses must be replaced if they are visibly damaged.
- DO NOT open the unit as there are no user serviceable parts inside. Never try to repair the unit by yourself. Repairs carried out by unskilled people can lead to damage or malfunction. Please contact the nearest authorized technical assistance center.
- Disconnect the mains power if the fixture is not used for a long time.
- DO use original packing materials once transport it again.

If using a 230V 50Hz power supply, DO NOT connect in series more than 18 units; use another main supply for the next 18 fixtures.

If using a 120V 60Hz power supply, DO NOT connect in series more than 9 units; use another main supply for the next 9 fixtures.

Installation:

The unit should be mounted via its screw holes on the bracket. Always ensure that the unit is firmly fixed to avoid vibration and slipping while operating. Always ensure that the structure to which you are attaching the unit is secure and is able to support a weight of 10 times of the unit's weight. Also always use a safety cable that can hold 12 times of the weight of the unit when installing the fixture in the air.

The equipment must be fixed by professionals. And it must be fixed at a place where is out of the touch of people and has no one pass by or under it.

2. Technical Specifications

- New member of Visio architectural lightings, specially designed to replacing the traditional outdoor 400W discharge fixtures.
- Great heat ventilation and heavy duty design to ensure reliable performance under harsh environment
- It features 90pcs×3W CREE LEDs provides powerful output
- Various beam angles, ideal for different applications – for the illumination of buildings, bridges, stadium, landscapes, theme parks and more.

Key Facts:

- ◇ Die-cast housing and thermal control for the reliable performance
- ◇ 17000 Lumen Output
- ◇ 1 KHz refreshing frequency, flicker-free under HD camera
- ◇ Barn door is available upon request (sold separately)

BW-903 CW AR:

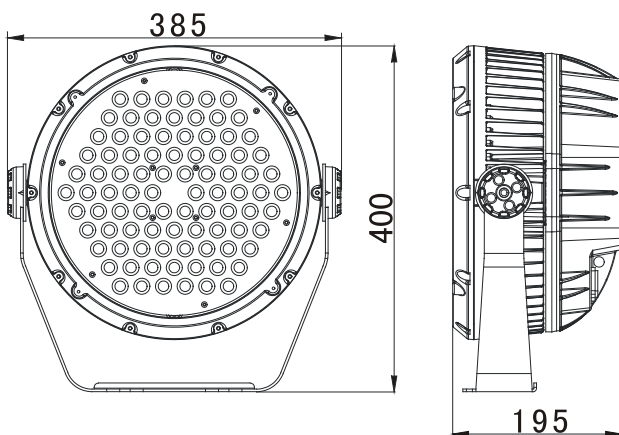
- **Input Voltage:** AC 100-240V 50/60Hz
- **Power Consumption:** 267W
- **Light Source:** 90×3W CREE Cold White LEDs
- **Beam Angle:** 6°, 15°, 25°, 40°, 60°, 80°
- **Lumen Output:** >17000lm
- **Color Temperature:** 5300~5900K
- **IP Rating:** IP66
- **Weight:** 15.6Kgs
- **Dimension:** 385×400×195mm

BW-903 WW AR:

- **Input Voltage:** AC 100-240V 50/60Hz
- **Power Consumption:** 267W
- **Light Source:** 90×3W CREE Warm White LEDs
- **Beam Angle:** 6°, 15°, 25°, 40°, 60°, 80°
- **Lumen Output:** >17300lm
- **Color Temperature:** 2900~3200K
- **IP Rating:** IP66
- **Weight:** 15.6Kgs
- **Dimension:** 385×400×195mm

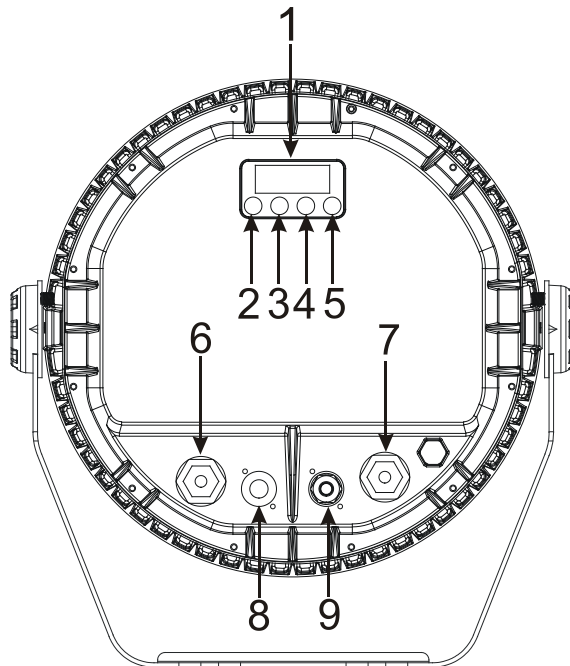
BW-903 VW AR:

- **Input Voltage:** AC 100-240V 50/60Hz
- **Power Consumption:** 267W
- **Light Source:** 42×3W CREE Warm White and 48×3W Cold White LEDs
- **Beam Angle:** 6°, 15°, 25°, 40°, 60°, 80°
- **Lumen Output:** >17300lm
- **Color Temperature:** 2900~5900K
- **IP Rating:** IP66
- **Weight:** 15.6Kgs
- **Dimension:** 385×400×195mm



3. How To Set The Fixture

3.1 Control Panel



1. Display:

To show the various menus and the selected functions

Button:

2. MENU	To select the programming functions
3. DOWN	To go backward in the selected functions
4. UP	To go forward in the selected functions
5. ENTER	To confirm the selected functions

6. POWER IN:

Water proof connectors for power input

7. POWER OUT:

Water proof connectors for power output

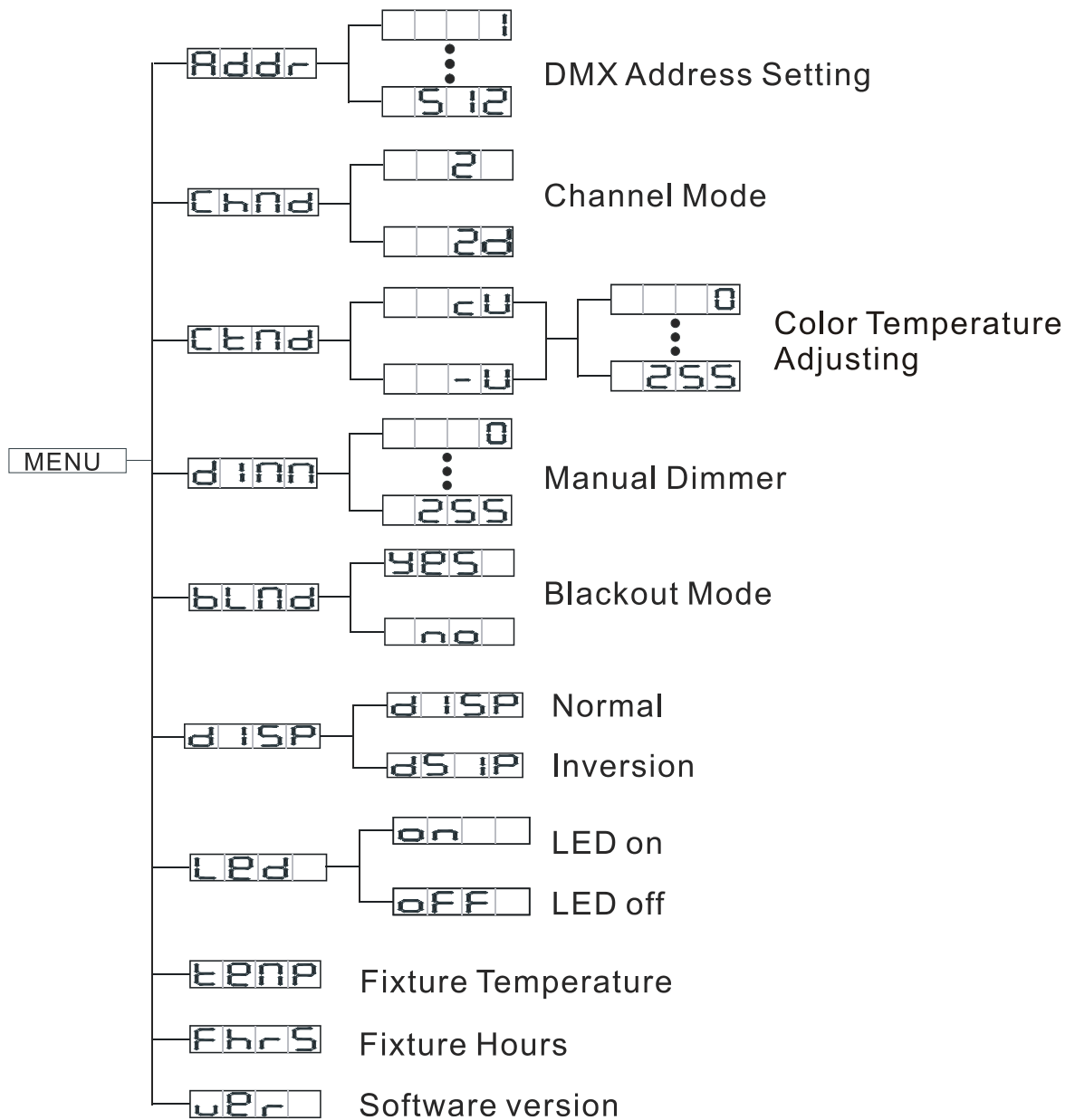
8. DMX IN:

Water proof 3-pin XLR connectors for DMX 512 operation

9. DMX OUT:

Water proof connectors for DMX 512 operation with 3-pin XLR plug

BW-903VW AR:



Addr DMX 512 Address Setting

Select the **Addr**, press the **ENTER** button and the display will blink. Use the **DOWN** and **UP** button to change the DMX 512 address from 1 to 512. Once the address has been selected, press the **ENTER** button to setup or automatically exit menu mode without any change after one minute. Back to the previous functions without any change press the **MENU** button.

Chnd Channel mode (For **BW-903 VW AR** only)

Select the **Chnd**, press the **ENTER** button and the display will blink. Use the **DOWN** and **UP** button to select the **0020** (2 Channels) or **002d** (2D channels) Mode. Once select, press the **ENTER** button to setup or automatically exit menu mode without any change after one minute. To go back to the functions without any change press the **MENU** button.

Ctnd Color Temperature Adjusting (For **BW-903 VW AR** only)

Select the **Ctnd**, press the **ENTER** button and the display will blink. Use the **DOWN** and **UP** button to select the **00c0** (Cool White) or **00-u0** (Warm White) Mode. Press the **ENTER** button to setup and use the **DOWN** and **UP** button to adjust the LED brightness between **0000** and **0255**. Once select, press the **ENTER** button to setup or automatically exit menu mode without any change after one minute. To go back to the functions without any change press the **MENU** button.

dinn Manual Dimmer

Select the **dinn**, press the **ENTER** button and the display will blink. Use the **DOWN** and **UP** button to adjust the LED brightness value. Once select, press the **ENTER** button to setup or automatically exit menu mode without any change after one minute. To go back to the functions without any change press the **MENU** button.

BLNd Blackout mode

Select the **BLNd**, press the **ENTER** button and the display will blink. Use the **DOWN** and **UP** button to select the **925** (blackout) or **no** (normal). Once selected, press the **ENTER** button to setup or automatically exit menu mode without any change after one minute. To go back to the functions without any change press the **MENU** button.

dISP Display Inversion

Select the **dISP**, press the **ENTER** button and the display will blink. Use the **DOWN** and **UP** button to select the **dISP** (Display normal) or **DISP** (Display inverse). Once the mode has been selected, press the **ENTER** button to setup or automatically return to the main functions without any change after one minute. To go back to the previous functions without any change press the **MENU** button.

LED LED

Press the **MENU** button up to when the **LED** is shown on the display. Pressing **ENTER** button and the display will blink. Use the **DOWN** and **UP** button to select **on** (display on) or **off** (display off 20 seconds after exit menu) mode. Once select, press **ENTER** button to setup or exit menu mode without any change after one minute. Back to the functions without any change press **MENU** button again.

TEMP Temperature Test

Press the **MENU** button up to when the **TEMP** is blinking on the display. Pressing **ENTER** button and the display will show the temperature of the unit. To go back to the functions press the **MENU** button again.

Fhrs Fixture Hours

Press the **MENU** button up to when the **Fhrs** is blinking on the display. Pressing **ENTER** button and the display will show the number of working hours of the unit. To go back to the functions press the **MENU** button.

Ver Software version

Press the **MENU** button up to when the **Ver** is blinking on the display. Pressing **ENTER** button and the display will show the version of software of the unit. To go back to the functions press the **MENU** button again.

4. How To Control The Unit

You can operate the unit by DMX controller:

No need to turn the unit off when you change the DMX address, as new DMX address setting will be affected at once. Every time you turn the unit on, it will show **6903** on the display After that the unit will be ready to receive DMX signal or run the built in programs.

4.1 DMX Controller

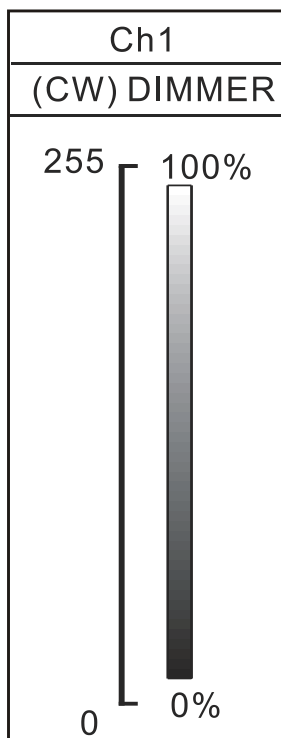
Use universal DMX controller to control the units, you have to set DMX address from 1 to 512 channel so that the units can receive DMX signal.

Press the **MENU** button up to when the **Raddr** is showing on the display. Pressing the **ENTER** button and the display will blink. Use the **DOWN** and **UP** button to change the DMX512 address.

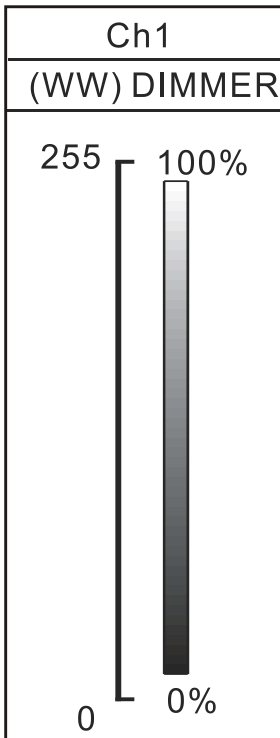
Once the address has been selected, press and keep the **ENTER** button pressed up to when the display stops blinking or storing automatically 8 seconds later. To go back to the functions without any change press the **MENU** button again.

DMX 512 Configuration:

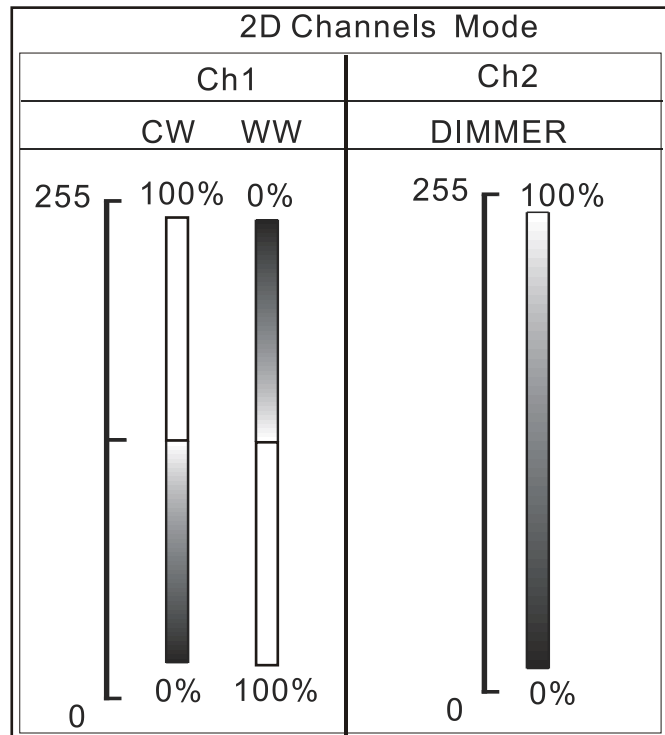
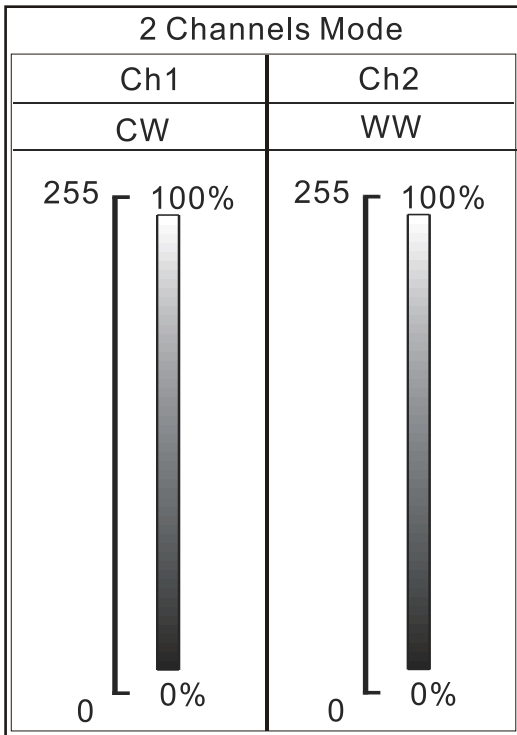
BW-903 CW AR:



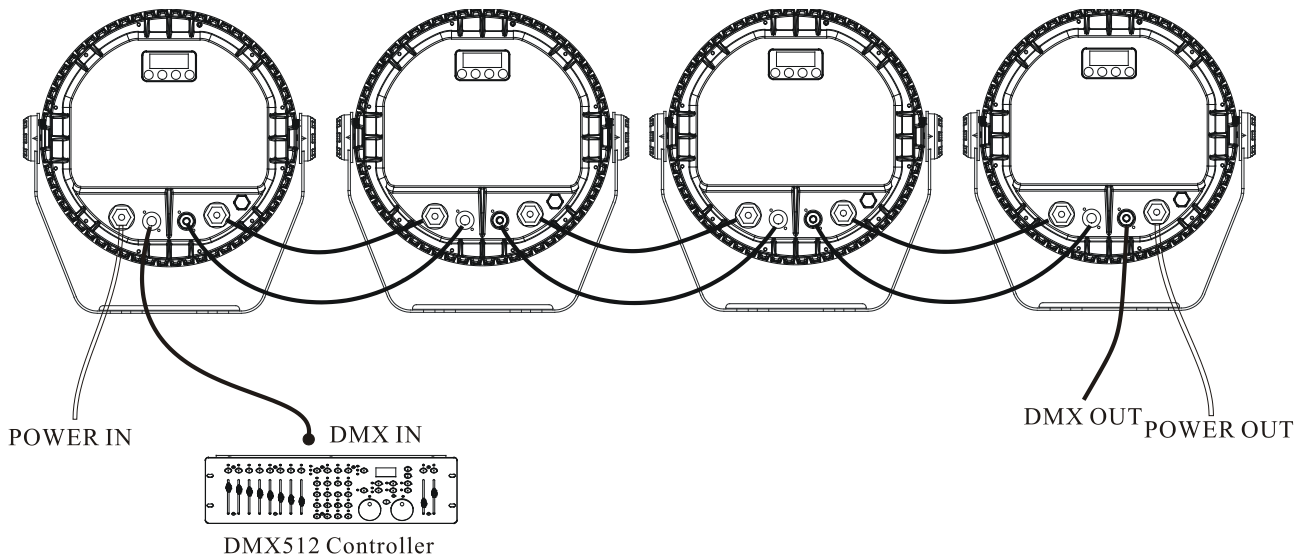
BW-903 WW AR:



BW-903 VW AR:



5. DMX512 Connections



1. If you using a controller with 5 pins DMX output, you need to use a 5 to 3 pin adapter-cable.
2. Connect the unit together in a `daisy chain` by XLR plug from the output of the unit to the input of the next unit. The cable can not branched or split to a `Y` cable. DMX 512 is a very high-speed signal. Inadequate or damaged cables, soldered joints or corroded connectors can easily distort the signal and shut down the system.
3. The DMX output and input connectors are pass-through to maintain the DMX circuit, when one of the units' power is disconnected.
4. Each lighting unit needs to have an address set to receive the data sent by the controller. The address number is between 0-511 (usually 0 & 1 are equal to 1).
5. The end of the DMX 512 system should be terminated to reduce signal errors.
6. 3 pin XLR connectors are more popular than 5 pin XLR.
3 pin XLR: Pin 1: GND, Pin 2: Negative signal (-), Pin 3: Positive signal (+)
5 pin XLR: Pin 1: GND, Pin 2: Negative signal (-), Pin 3: Positive signal (+), Pin 4/Pin 5: Not used.

6. Troubleshooting

Following are a few common problems that may occur during operation. Here are some suggestions for easy troubleshooting:

A. The fixture does not work, no light

1. Check the connection of power and main fuse.

B. Not responding to DMX controller

1. DMX LED should be on. If not, check DMX cables to see if linked properly.
2. If the DMX LED is on and no response to the controller, check the address settings and DMX polarity.
3. If you have intermittent DMX signal problems, check the cables of the fixture or the previous one.
4. Try another DMX controller.

C. Some fixtures don't respond to the easy controller

1. You may have a break in the DMX cabling. Check the LED for the response of the master/slave mode signal.
2. Wrong DMX address in the unit. Set the correct address.

D. No response to the sound

1. Make sure the fixture is not receiving a DMX signal.
2. Check microphone by tapping it.
3. Make sure the fixture is not set into Blackout mode

7. Fixture Cleaning

The cleaning of outside glass must be carried out periodically to optimize light output. Cleaning frequency depends on the environment in which the fixture operates: damp, smoky or particularly dirty surrounding can cause greater accumulation of dirt on the fixture's optics.

- Clean with soft cloth using normal glass cleaning fluid.
- Always dry the parts carefully.
- Clean the external optics at least every 20 days.

Declaration of Conformity

We declare that our products (lighting equipments) comply with the following specification and bears CE mark in accordance with the provision of the Electromagnetic Compatibility (EMC) Directive 89/336/EEC.

EN55103-1: 2009 ; EN55103-2: 2009; EN62471: 2008;
EN61000-3-2: 2006 + A1:2009 + A2:2009; EN61000-3-3: 2008.

&

Harmonized Standard

EN60598-2-17:1989 + A2:1991; EN60598-1:2008+ A11: 2009
EN 62471:2008; EN 62493: 2010
Safety of household and similar electrical appliances
Part 1: General requirements

Innovation, Quality, Performance