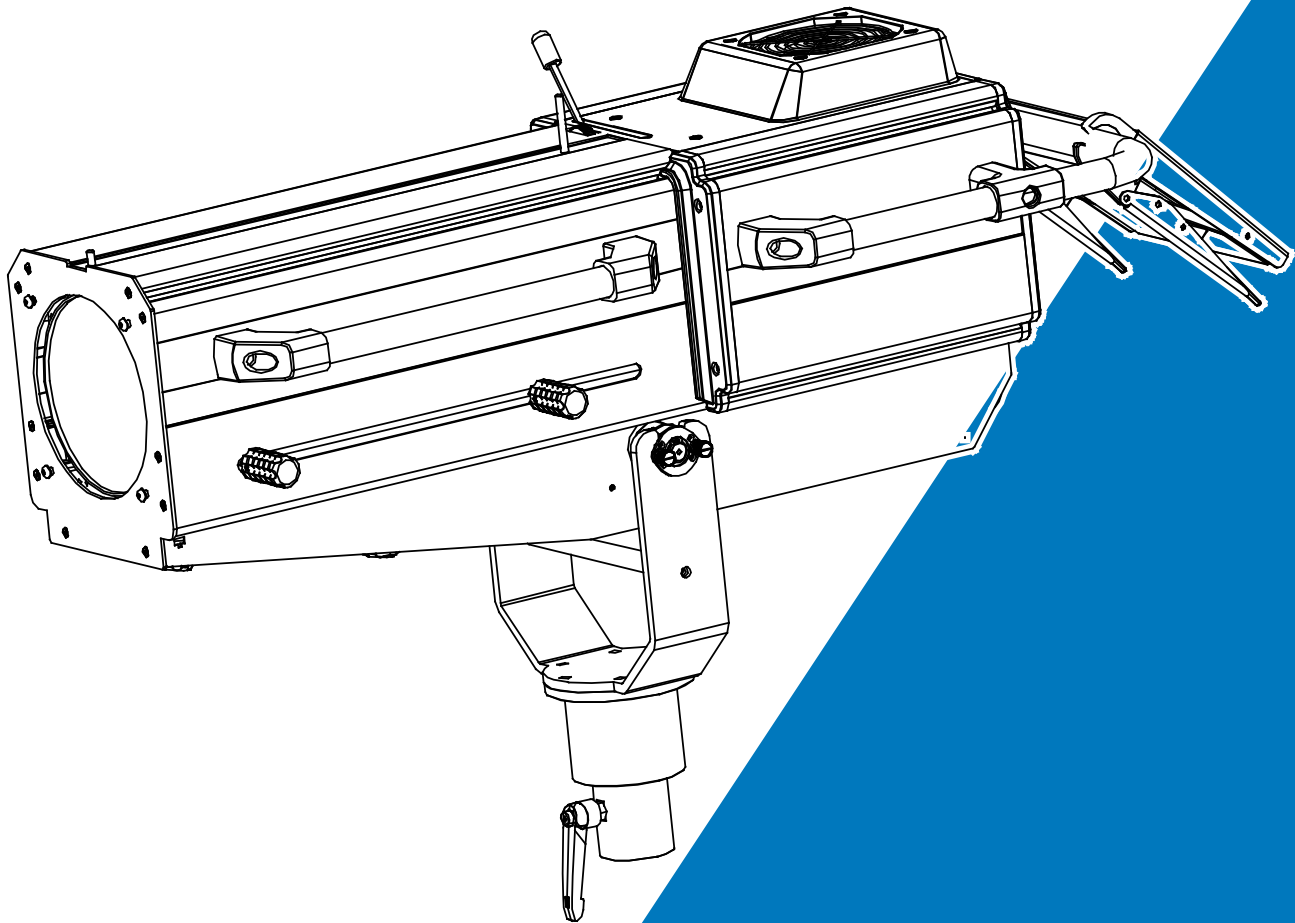




XP-1000 FS II



User Manual

Please read the instruction carefully before use

CONTENTS

1. Safety Instruction	2
2. Technical Specification	4
3. Control Panel	5
4. Lamp	5
4.1 Change The Lamp	6
5. How To Set The Unit.....	6
5.1 Main Function	6
5.2 Home Position Adjustment.....	11
5.3 Error Information.....	11
6. Troubleshooting	12
7. Fixture Cleaning.....	12

1. Safety Instruction



WARNING

Please read the instruction manual carefully which includes important information about the installation, usage and maintenance.

Please keep this User Manual for future consultation. If you sell the unit to another user, be sure that they also receive this instruction manual.

Important:

Damages caused by the disregard of this user manual are not subject to warranty. The dealer will not accept liability for any resulting defects or problems.

- Unpack and check carefully that there is no transportation damage before using the unit.
- The unit is for indoor use only. Use only in a dry location.
- Do install and operate by qualified operator.
- Do not allow children to operate the fixture.
- Use safety chain when fixing the unit. Handle the unit by carrying its base instead of head only.
- The unit must be installed in a location with adequate ventilation, at least 50cm from adjacent surfaces.
- Be sure that no ventilation slots are blocked; otherwise the unit will be overheated.
- Before operating, ensure that the voltage and frequency of power supply matches the power requirements of the unit.
- It's important to ground the yellow/green conductor to earth in order to avoid electric shock.
- Maximum ambient temperature TA: 40°C. Don't operate it when the temperature is higher.
- Don't connect the device to any dimmer pack.
- During initial start-up some smoke or smell may arise. This is a normal process and does not necessarily mean that the device is defective, and it will decrease gradually within 15 minutes.
- Make sure there are no flammable materials close to the unit while operating to avoid fire hazard.
- Examine the power wires carefully; replace them immediately if there is any damage.
- Unit's surface temperature may reach up to 85°C. Don't touch the housing bare-handed during its operation, and allow about 15 minutes for cooling the unit down before replacing bulb or maintenance as it could be very hot.
- Avoid any inflammable liquids, water or metal objects entering the unit. Once it happens, cut off the mains power immediately.

- Do not operate in dirty or dusty environment; do clean the fixture regularly.
- Do not touch any wire during operation as there might be a hazard of electric shock.
- Avoid power wires twist other cables.
- The minimum distance between light output and the illuminated surface must be more than 12 meters.
- Disconnect mains power before fuse/lamp replacement or servicing.
- Replace fuse/lamp only with the same type.
- In the event of serious operating problem, stop using the unit immediately.
- Never turn on and off the unit time after time.
- The housing, the lenses, or the ultraviolet filter must be replaced if they are visibly damaged.
- Do not open the unit as there are no user serviceable parts inside.
- Never try to repair the unit by yourself. Repairs carried out by unskilled people can lead to damage or malfunction. Please contact the nearest authorized technical assistance center if needed.
- Disconnect the mains power if the fixture is has not been used for a long time.
- Do use the original packing materials before transporting it once again.
- To prevent or reduce the risk of electrical shock or fire, do not expose the unit to rain or moisture.
- Hot lamp explosion hazard. Do not open the unit within 15 minutes after switching off.
- Do replace the bulb once it is damaged, deformed or life-expired.
- Do not look directly at the light while the bulb is on.
- Never touch bulb with bare fingers, as it is very hot after using.
- Do not start on the unit without bulb enclosure or when housing is damaged.

- **Caution:**
- To prevent or reduce the risk of electrical shock or fire, do not expose the unit to rain or moisture.
- Hot lamp explosion hazard. Do not open the unit within 15 minutes after switching off.
- Do replace the bulb once it is damaged, deformed or life-expired.
- Do not look directly at the light while the bulb is on.
- Never touch bulb with bare fingers, as it is very hot after using.
- Do not start on the unit without bulb enclosure or when housing is damaged.

2. Technical Specification

◆ **Power supply:**

AC 230V, 50/60Hz

◆ **Power Consumption:**

1181W

◆ **Lamp:**

OSRAM Lok-it HTI1000/PS Brilliant

◆ **Optical system:**

- High efficient Optical system.
- Delivering extremely powerful output.
- High quality lens.

◆ **Beam Angle:**

Manual linear zoom system, zoom range 5 °to 20°

◆ **Focus:**

Manual focus

◆ **Cooling:**

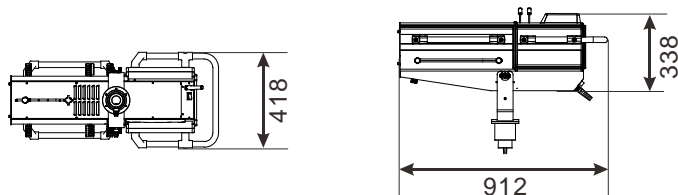
Fan cooling

◆ **Weight:**

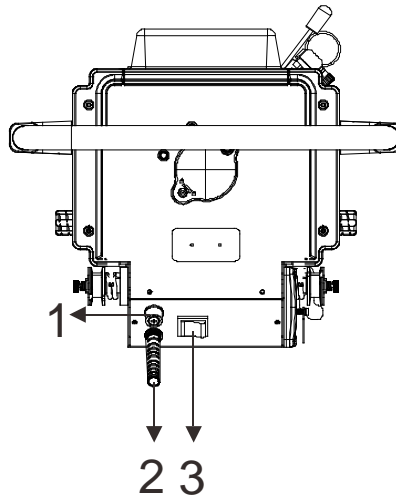
43.2 Kgs

◆ **Dimension:**

912 × 418 × 338mm



3. Control Panel



1. FUSE (AC250V/T 15A):

Protect the unit from damage of over voltage or short circuit.

2. POWER:

Connect to the mains supply.

3. POWER SWITCH:

Turns On/Off the power.

4. Lamp

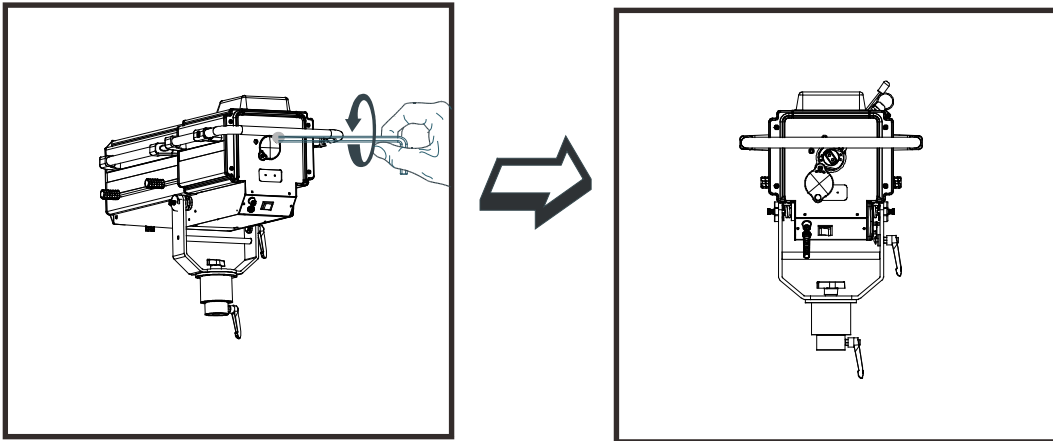
OSRAM:

1. Because of its high internal pressure, there might be a risk that the Discharge lamp would explode during operation. The lamp emits intense UV radiation which is harmful to the eyes and skin. The high luminance of the arc can cause severe damage to the retina if you take a close look at the lamp.
2. To protect the lamp, always turn off the lamp first (via control panel or DMX controller) and let the unit run at least five minutes to cool down before switching off the mains supply. Never handle the lamp or luminary when it is hot.
3. Do not touch the bulb with bare hands. If this happens, clean the lamp with denatured alcohol and wipe it with a lint free cloth before installation.
4. The lamp generates UV radiation. Never operate the lamp without appropriate shielding.
5. When lining up, the lamp operates at high pressure and there is a slight risk of arc tube rupture. The

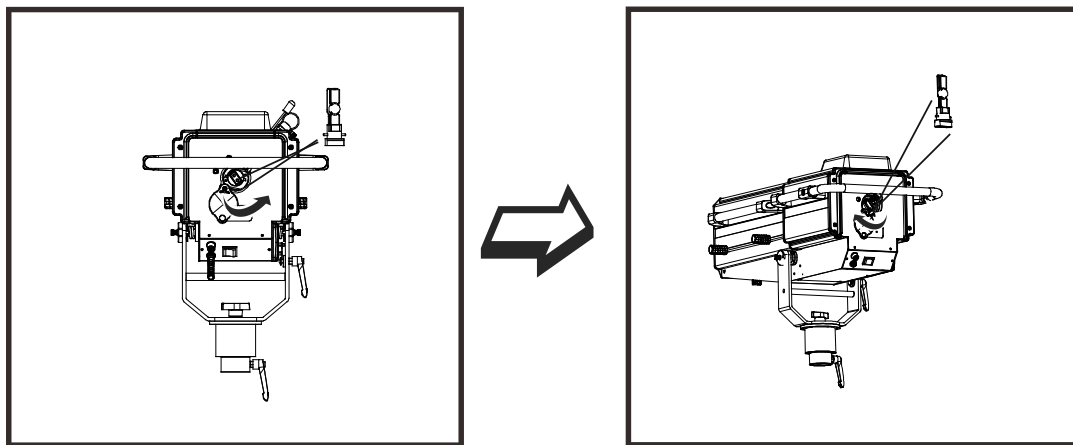
risk increases with age, temperature and improper handling of the lamp. Do not use the lamp longer than its lifespan.

6. Make sure the lamp is located in the center of the reflector for the best projection.

4.1 Change The Lamp



Loosen the screw at the rear side of the fixture and open the lamp compartment cover.



Remove the old lamp and turn the lamp left in order to take the lamp out, put a new lamp that must be the same type as the old one. And then place the new lamp into the lamp holder and turn the lamp right in order to fix. Finally reinstall the lamp compartment cover, fastening it securely before turning on power.

5. How To Set The Unit

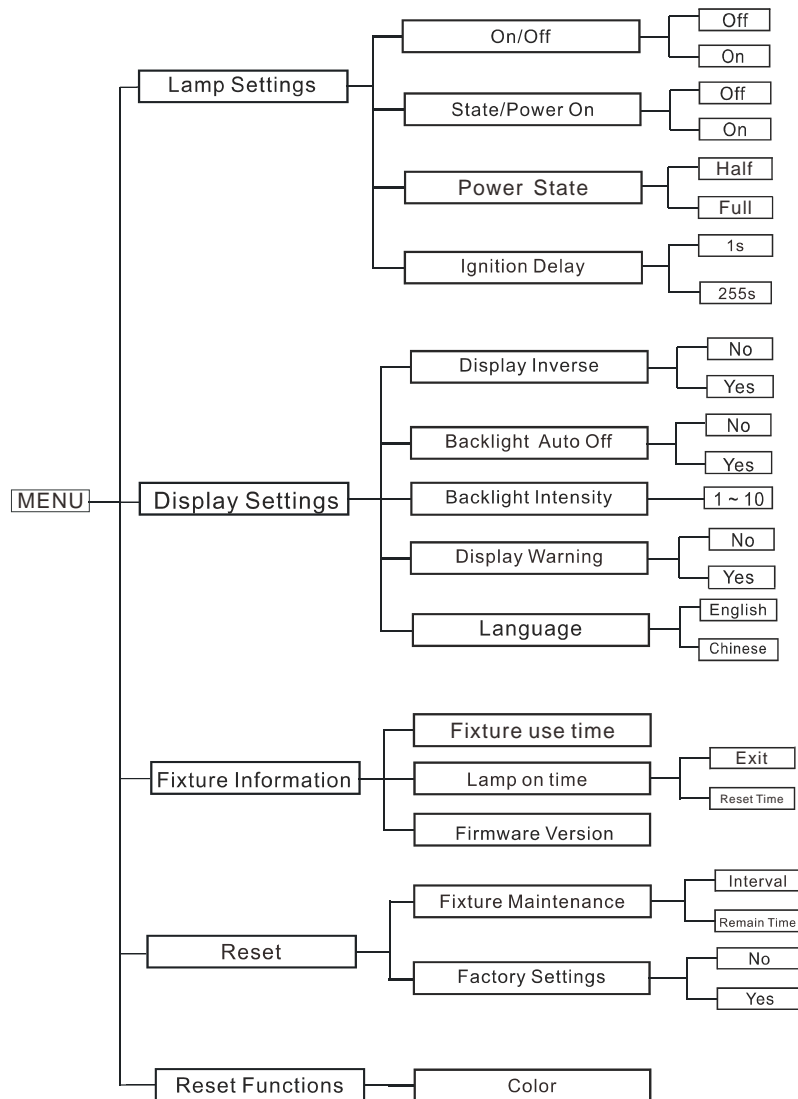
5.1 Main Function

Turn on the unit, press the **MENU** button into menu mode, and press the **UP/DOWN** button until the

required function is shown on the monitor. Select the function by the **ENTER** button. Use the **UP/DOWN** button to choose the submenu, press the **ENTER** button to store and automatically return to the last menu. Press the **MENU** button or let the unit idle one minute to exit menu mode.

In the event of disconnecting with mains power, press the **UP** button for one minute to enter into menu mode. Press MENU button or let the unit idle one minute to exit.

The main functions are shown below (the grayed boxes are preset settings) :



Lamp Setting

Enter menu mode, select **Fixture Setting**, press ENTER button to confirm, use UP and DOWN button to select **On/Off**, **State/Power on**, **Power State**, or **Ignition Delay**.

On/Off

Select **On/Off**, press ENTER button to confirm, present mode will blink on the display, use UP and DOWN button to select **On** (lamp on) or **Off** (lamp off), press ENTER button to store. Press MENU button back to the last menu or let the unit idle one minute to exit menu mode.

State/Power On

Select **State/Power On**, press ENTER button to confirm, present mode will blink on the display, use UP and DOWN button to select **On** (Lamp on while power on) or **Off** (Lamp off while power on), press ENTER button to store. Press MENU button back to the last menu or let the unit idle one minute to exit menu mode.

Power State

Select **Power State**, press ENTER button to confirm, present mode will blink on the display, use UP and DOWN button to select **Half** or **Full**, press ENTER button to store. Press MENU button back to the last menu or let the unit idle one minute to exit menu mode.

Ignition Delay

Select **Ignition Delay**, press ENTER button to confirm, present mode will blink on the display, use UP and DOWN button to adjust the delay time from 0S to 255S, press ENTER button to store. Press MENU button back to the last menu or let the unit idle one minute to exit menu mode.

Display Setting

Enter menu mode, select **Display Setting**, press ENTER button to confirm, use UP and DOWN button to select **Display Inverse**, **Backlight Auto Off**, **Backlight Intensity Display Warning** or **Language**.

Display Inverse

Select **Display Inverse**, press ENTER button to confirm, present mode will blink on the display, use UP and DOWN button to select **No** (normal display) or **Yes** (inverse display), press ENTER button to

store. Press MENU button back to the last menu or let the unit idle one minute to exit menu mode.

Backlight Auto Off

Select **Backlight Auto Off**, press ENTER button to confirm, present mode will blink on the display, use UP and DOWN button to select **No** (display always on) or **Yes** (display goes off one minute after exiting menu mode), press ENTER button to store. Press MENU button back to the last menu or let the unit idle one minute to exit menu mode.

Backlight Intensity

Select **Backlight Intensity**, press ENTER button to confirm, present mode will blink on the display, use UP and DOWN button to adjust backlight intensity from **1** (dark) to **10** (bright), press ENTER button to store. Press MENU button back to the last menu or let the unit idle one minute to exit menu mode.

Display Warning

Select **Display Warning**, press ENTER button to confirm, present mode will blink on the display, use UP and DOWN button to select **No** (not show the error warning information) or **Yes** (display will show the error warning when the unit went wrong), press ENTER button to store. Press MENU button back to the last menu or let the unit idle one minute to exit menu mode.

Language

Select **Language**, press ENTER button to confirm, present mode will blink on the display, use UP and DOWN button to select **English** or **Chinese**, press ENTER button to store. Press MENU button back to the last menu or let the unit idle one minute to exit menu mode.

Fixture Information

Enter menu mode, select **Fixture Information**, press ENTER button to confirm, use UP and DOWN button to select **Fixture use time**, **Lamp On time** or **Firmware Version**.

Fixture use time

Select **Fixture use time**, press ENTER button to confirm, fixture use time will show on the display, press MENU button to exit.

Lamp On time

Select **Lamp On time**, press ENTER button to confirm, lamp on time will show on the display, press

ENTER button to confirm, use UP and DOWN button to select **Exit** or **Reset Time**, press ENTER button to confirm. Press MENU button back to the last menu or exit menu mode let the unit idle one minute.

Firmware Version

Select **Firmware Version**, press ENTER button to confirm, firmware version will show on the display, press MENU button back to exit.

Special Functions

Enter menu mode, select **Special Functions**, press ENTER button to confirm, select **Fixture Maintenance** or **Factory Setting**.

Fixture Maintenance

Select **Fixture Maintenance**, press ENTER button to confirm, use UP and DOWN button to select **Interval** or **Remain Time**.

Interval

Select **Interval**, press ENTER button to confirm, the interval time will show on the display. Press MENU button to exit.

Remain Time

Select **Remain Time**, press ENTER button to confirm, the remaining time will show on the display, press ENTER button to confirm, use UP and DOWN button to select **Exit** or **Reset time**, press MENU button to exit.

Factory Setting

Select **Factory Setting**, press ENTER button to confirm, use UP and DOWN button to select **No** (keep the present setting) or **Yes** (the fixture will reset to factory settings and exit menu mode).

Reset Functions

Enter menu mode, select **Reset Function**, press ENTER button to confirm, the **Color** will show on the display.

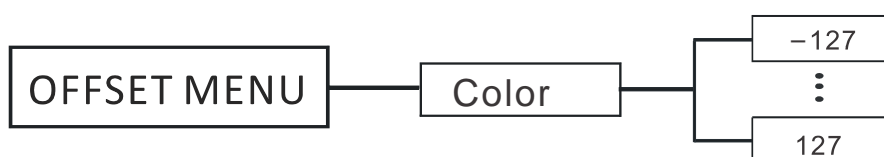
Color

Select **Color**, press ENTER button to confirm, use UP and DOWN button to select **Yes** (the unit will run built-in program to reset color to their home positions) or **No**, press ENTER button to store.

Press MENU button to exit.

5.2 Home Position Adjustment

Press the **MENU** button into menu mode, then press and hold the **ENTER** button for about 3 seconds into offset mode to adjust the home position. Select the function by the **ENTER** button. Use the **UP/DOWN** button to select the submenu, press the **ENTER** button to store and automatically return to the last menu. Press the **MENU** button to exit.



Color - Color home position adjustment

Enter offset mode, select **Color**, press the **ENTER** button to confirm. Use the **UP/DOWN** button to offset the value from **-127** to **127**, press the **ENTER** button to store. Press the **MENU** button to exit.

5.3 Error Information

Lamp Startup Fail

It appears when there is no lamp or some wires are damaged.

Temperature Sense Error

It appears when temperature check board is damaged.

Lamp Too Hot Power Off

It appears when temperature is detected higher than 110°C. Check if the unit is properly ventilated, or fans or temperature check board may is damaged.

Lamp Too Hot Low Power

It appears when temperature is detected higher than 105°C, the unit will run on a low power level.

Maintenance Fixture

It appears when the maintenance remaining time becomes 0S, please enter menu mode and reset the time.

Lamp On Over 700 Hour

It appears when the lamp has been on over 700 hours, please turn off the lamp.

Memory Initial Fail

It appears when the memory IC is damaged.

CPU-B Error, CPU-C Error, CPU-D Error

They appear when board P.C or some wires are damaged.

Pan Reset Error, Pan Encode Error, Tilt Reset Error, Tilt Encode Error, Shutter Reset Fail, Dimmer Reset Fail, Color Reset Fail, , Gobo Reset Fail, Focus Reset fail.

They may appear when turning on or resetting the unit, for some parts such as board P.C are damaged. Please contact the qualified maintenance.

6. Troubleshooting

Following are a few common problems that may occur during operation. Here are some suggestions for easy troubleshooting:

A. The unit does not work, no light and the fan does not work

1. Check the connect power and main fuse.
2. Measure the mains voltage on the main connector.
3. Check the power on LED to see if it can be light up or not.

B. The lamp is cutting out intermittently

1. The lamp is not working well. Check the mains voltage either too high or too low.
2. Internal temperature may be too high. Check if replacement of fan is needed on the head.

7. Fixture Cleaning

The cleaning must be carried out periodically to optimize light output. Cleaning frequency depends on the environment in which the fixture operates: damp, smoky or particularly dirty surrounding can cause greater accumulation of dirt on the unit's optics.

- Clean with soft cloth using normal glass cleaning fluid.
- Always dry the parts carefully.
- Clean the external optics at least every 30 days.

Declaration of Conformity

We declare that our products (lighting equipments) comply with the following specification and bears CE mark in accordance with the provision of the Electromagnetic Compatibility (EMC) Directive 89/336/EEC.

EN55103-1: 2009+A1:2012; EN55103-2: 2009;
EN61000-3-2: 2014; EN61000-3-3: 2013.

&

Harmonized Standard

EN 60598-1:2015; EN 60598-2-17:1989 + A2:1991;
EN 62471:2008; EN 62493: 2010
Safety of household and similar electrical appliances
Part 1: General requirements

Innovation, Quality, Performance