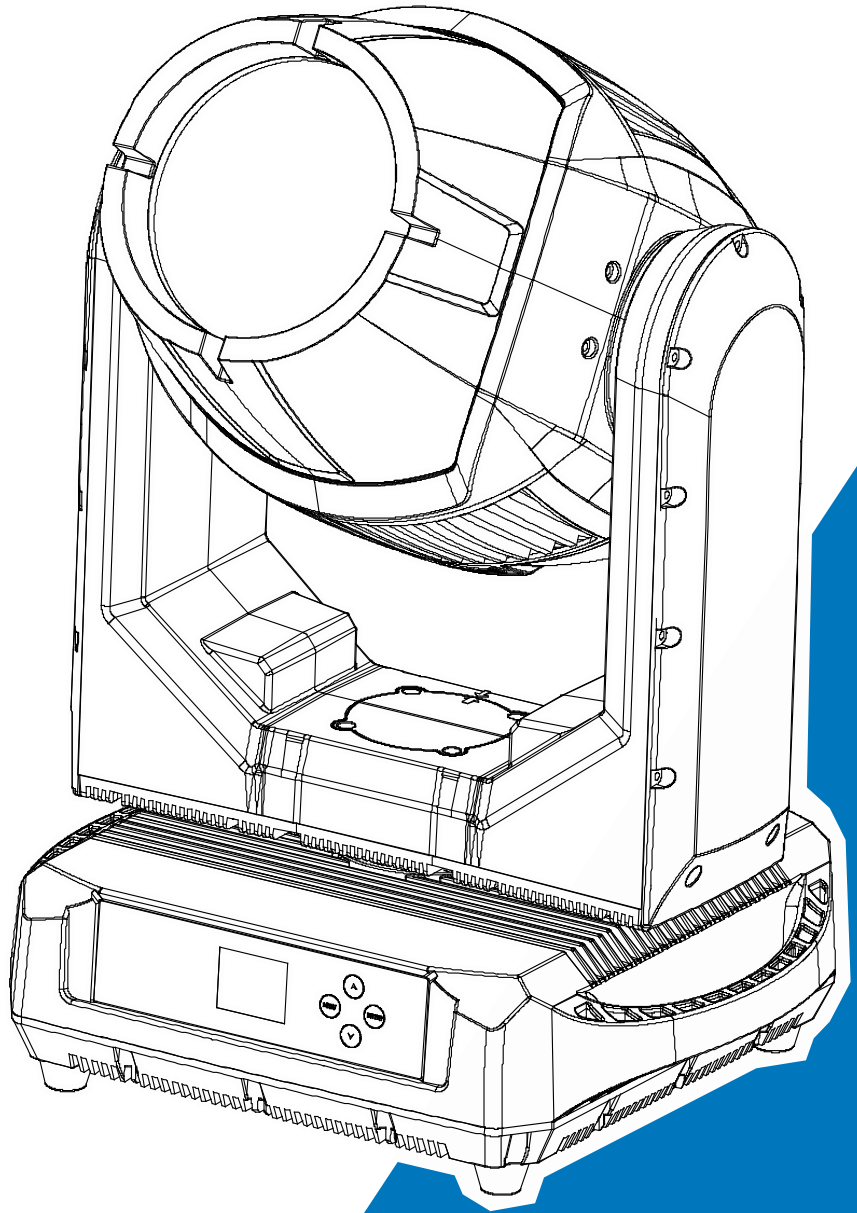


ACME[®]

CETUS



User Manual

Please read the instruction carefully before use

CONTENTS

1. Safety Instructions	2
2. Technical Specifications	4
3. Control Panel	6
4. Color/Gobo and Lamp.....	6
4.1 Color/Gobo	6
4.2 Light Source	7
4.3 Change The Lamp.....	7
4.4 Lamp Replacement Warning	9
5. How To Set The Unit.....	9
5.1 Main Function.....	9
5.2 Home Position Adjustment	16
6. Control By Universal DMX Controller	19
6.1 DMX512 Connection	19
6.2 Address Setting	20
6.3 DMX512 Configuration.....	20
7. Error Information	26
8. Troubleshooting	28
9. Fixture Cleaning	29

1. Safety Instructions



Please read the instruction carefully which includes important information about the installation, usage and maintenance.

WARNING

Please keep this User Guide for future consultation. If you sell the unit to another user, be sure that they also receive this instruction manual.

Important:

Damages caused by the disregard of this user manual are not subject to warranty. The dealer will not accept liability for any resulting defects or problems.

- Unpack and check carefully that there is no transportation damage before using the unit.
- This product is suitable for wet locations. Do not immerse in water.
- DO install and operate by qualified operator.
- DO NOT allow children to operate the fixture.
- Use safety chain when fixing the unit. Handle the unit by carrying its base instead of head only.
- The unit must be installed in a location with adequate ventilation, at least 50cm from adjacent surfaces.
- Be sure that no ventilation slots are blocked, otherwise the unit will be overheated.
- Before operating, ensure that the voltage and frequency of power supply match the power requirements of the unit.
- It's important to ground the yellow/green conductor to earth in order to avoid electric shock.
- Minimum ambient temperature TA: 0°C. Maximum ambient temperature TA: 40°C.
- DO NOT connect the device to any dimmer pack.
- During initial start-up some smoke or smell may arise. This is a normal process and does not necessarily mean that the device is defective, and it will decrease gradually within 15 minutes.
- Make sure there are no flammable materials close to the unit while operating to avoid fire hazard.
- Examine the power wires carefully; replace them immediately if there is any damage.
- Unit's surface temperature may reach up to 75°C. DO NOT touch the housing bare-handed during its operation.
- Avoid any inflammable liquids, water or metal objects entering the unit. Once it happens, cut

off the mains power immediately.

- DO NOT operate in dirty or dusty environment, do clean fixtures regularly.
- DO NOT touch any wire during operation as there might be a hazard of electric shock.
- Avoid power wires together twist other cables.
- The minimum distance between light output and the illuminated surface must be more than 12 meters.
- Disconnect mains power before lamp replacement or servicing.
- Replace lamp only with the same type.
- In the event of serious operating problem, stop using the unit immediately.
- Never turn on and off the unit time after time.
- The housing, the lenses, or the ultraviolet filter must be replaced if they are visibly damaged.
- DO NOT open the unit as there are no user serviceable parts inside.
- Never try to repair the unit by yourself. Repairs carried out by unskilled people can lead to damage or malfunction. Please contact the nearest authorized technical assistance center if needed.
- Disconnect the mains power if the fixture is has not been used for a long time.
- DO use the original packing materials before transporting it again.
- Hot lamp explosion hazard. DO NOT open the unit within 15 minutes after switching off.
- DO replace the bulb once it is damaged, deformed or life-expired.
- DO NOT look directly at the light while the bulb is on.
- Never touch bulb with bare fingers, as it is very hot after using.
- DO NOT start on the unit without bulb enclosure or when housing is damaged.

Installation:

The fixture should be mounted via its Omega Quick Release Clamp bracket. Always ensure that the unit is firmly fixed to avoid vibration and slipping while operating and make sure that the structure to which you are attaching the unit is secure and is able to support a weight of 10 times of the fixtures weight. Always use a safety cable that can hold 12 times of the weight of the fixture when installing.

The equipment must be installed by professionals. It must be installed in a place where is out of the reach of people and no one can pass by or under it.

2. Technical Specifications

Power Voltage:

AC 100~240V, 50/60Hz

Power Consumption:

535W

Light Source:

OSRAM SIRIUS HRI 370W LL

Color Temperature:

7800K

Beam Angle:

2.5°

Movement:

Pan: 540°

Tilt: 270°

Pan/Tilt Resolution: 16 bit

Dimmer/Shutter:

0%~100% smooth dimming, various strobe speeds

Color Wheel:

1 color wheel with 14 colors plus open, and rainbow effect

Gobo Wheel:

1 rotating gobo wheel with 10 gobos plus 2 opens

Control:

DMX Channel: 16/18 Channels

Control Mode: DMX512, RDM

Firmware Upgrade: Update via DMX link

Construction:

Display: LCD display

Data In/Out: 3-pin IP XLR

Power In/Out: Waterproof Power Connector in/out

Protection Rating: IP65

Features:

6000 hours long life light source

Linear motorized Focus

2 x prisms: 8-facet prisms + 16-facet prisms, rotatable in both directions and overlayable

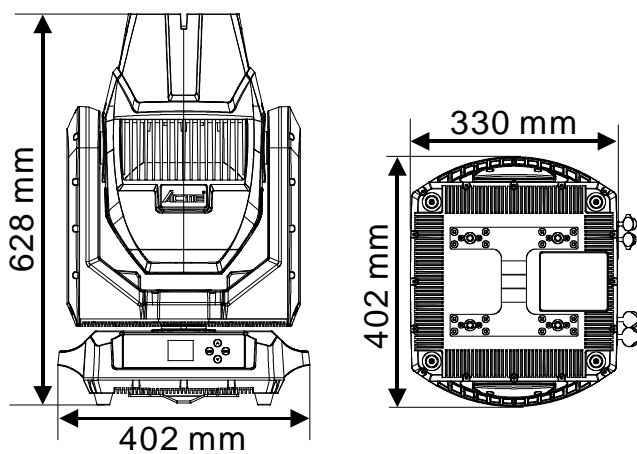
Independent frost effect

IP65 protection rating, can be used outdoors all year round

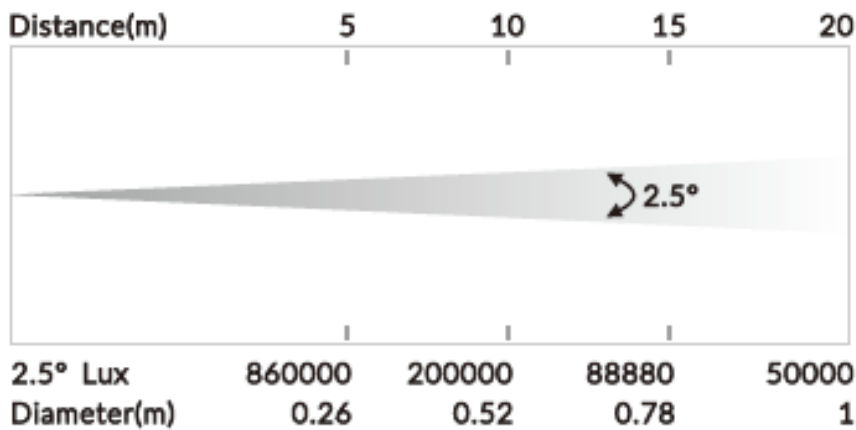
Dimension/Weight:

402x330x628mm, 30kgs

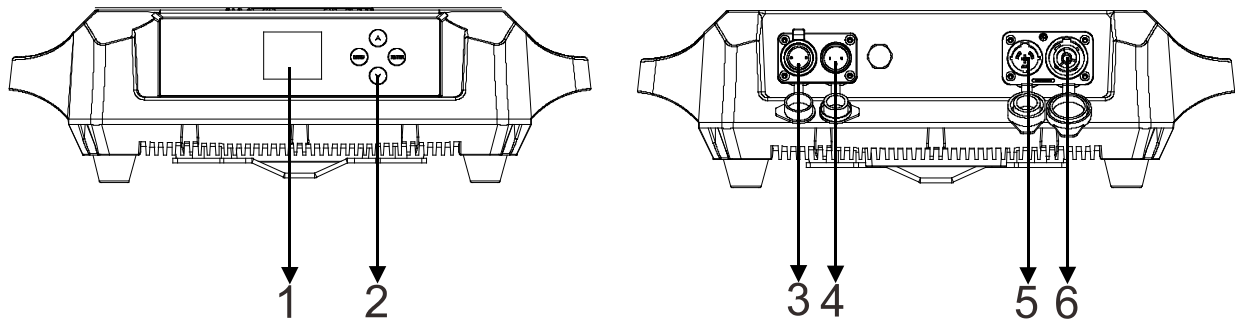
15.8"x12.9"x24.7" in, 66.1lbs



Photometrics Diagram



3. Control Panel



1. **DISPLAY:** To show the various menus and the selected function

2. **Button:**

MENU	To enter into move backward or leave the menu
▲ UP	To go backward to move up in the menu
▼ DOWN	To go forward to move down in the menu
ENTER	To perform the desired functions

3. **DMX OUT:** For DMX512 operation, use 3-pin XLR cable to link the next units

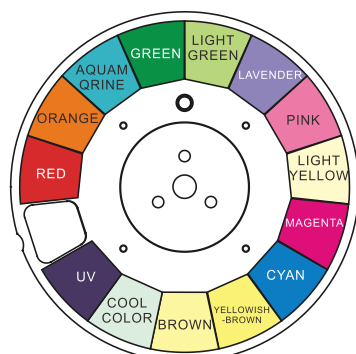
4. **DMX IN:** For DMX512 link, use 3-pin XLR cable to link the unit and DMX controller

5. **POWER IN:** To connect to supply power

6. **POWER OUT:** To connect to the next fixture

4. Color/Gobo and Lamp

4.1 Color/Gobo



COLOR WHEEL



GOBO WHEEL

DANGER!

**Install the color wheel/gobo wheel with the device switched off only.
Unplug from mains before changing the color wheel/gobo wheel!**

4.2 Light Source

OSRAM SIRIUS HRI 370W LL

- Because of its high internal pressure, there might be a risk that the Discharge lamp would explode during operation. The lamp emits intense UV radiation which is harmful to the eyes and skin. The high luminance of the arc can cause severe damage to the retina if you take a close look at the lamp.
- To protect the lamp, always turn off the lamp first (via control panel or DMX controller) and let the unit run at least five minutes to cool down before switching off the mains supply. Never handle the lamp or luminaire when it is hot.
- Do not touch the bulb with bare hands. If this happens, clean the lamp with denatured alcohol and wipe it with a lint free cloth before installation.
- The lamp generates UV radiation. Never operate the lamp without appropriate shielding.
- When lighting up, the lamp operates at high pressure and there is a slight risk of arc tube rupture. The risk increases with age, temperature and improper handling of the lamp. Do not use the lamp longer than its lifespan.
- Make sure the lamp is located in the center of the reflector for the best projection.

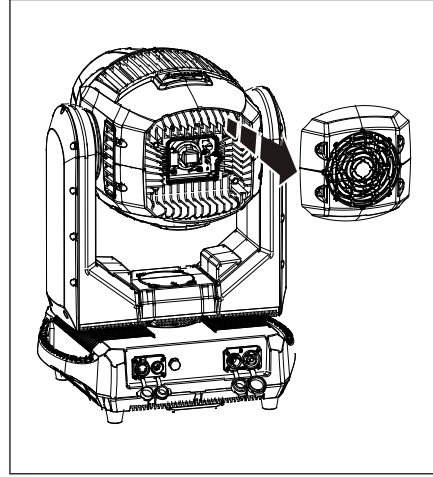
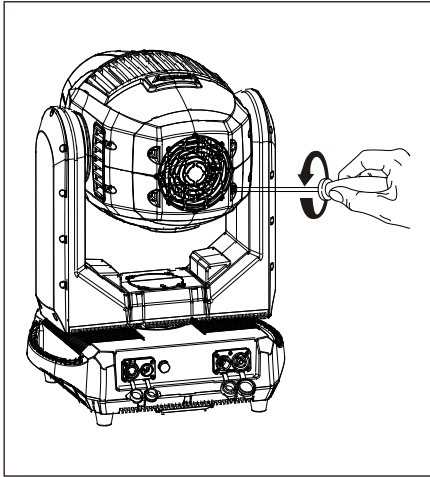
4.3 Change The Lamp

Attention: The entire light path and lens of the luminaire must be thoroughly cleaned before changing the bulb.

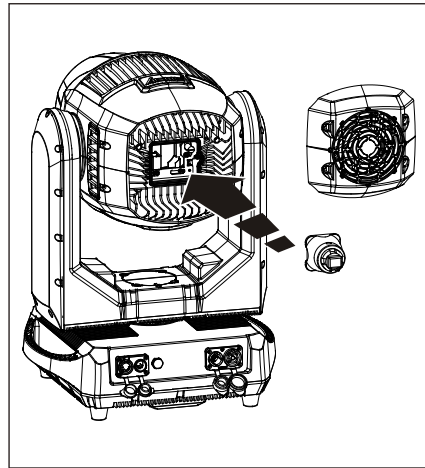
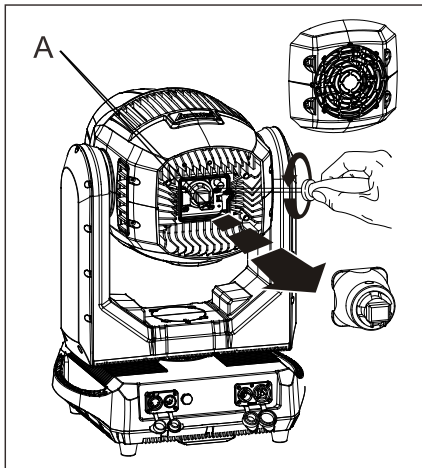
In the Work Mode, the lamp life is 1500 hours; when the Work Mode and the Sleep Mode are used alternately, the lamp life is between 1500 and 6000 hours according to the ratio of lamp use time; in the Sleep Mode, the lamp life is 6000 hours. Do not use the bulb beyond its lifetime, otherwise it may damage the luminaire. Check the Lamp Use Time regularly. When the lamp replacement warning appears, we strongly recommend that you replace the bulb. After replacing the bulb, the use hours of the bulb must be cleared and reset.

To replace the lamp:

1. Ensure that the fixture is detached from power and has cooled down completely. It is a good idea to allow the fixture to run for 10 minutes after the lamp has been turned off, so that the cooling fans have time to work.
2. Loosen the screws on the head of the fixture and open the fixture head covers.



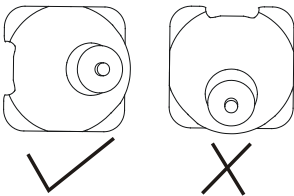
3. Loosen the screw that holds the lamp in place. Unplug the leads of the lamp and lift the lamp out of its recess, disconnect the lamp and connect a new lamp that must be the same type with the old one. And then place the new lamp into the lamp recess.



Finally reinstall the head cover, fastening it securely before reapplying power.

Warning:

The installing direction of lamp:



4.4 Lamp Replacement Warning

- When the lamp reaches 300 hours before its service time, the display will flash the message “Replace Lamp Soon” for up to 5 minutes. During this period, the fixture will still work normally.
- When the lamp reaches its service time, the display will flash the message “Replace Lamp Now” for up to 10 minutes. After 10 minutes, the fixture will return to normal operation.
- When the lamp is continuously used overtime, the display will flash the message “Lamp Timeout Use, Replace Lamp Now” for up to 10 minutes. After 10 minutes, the fixture will return to normal operation.

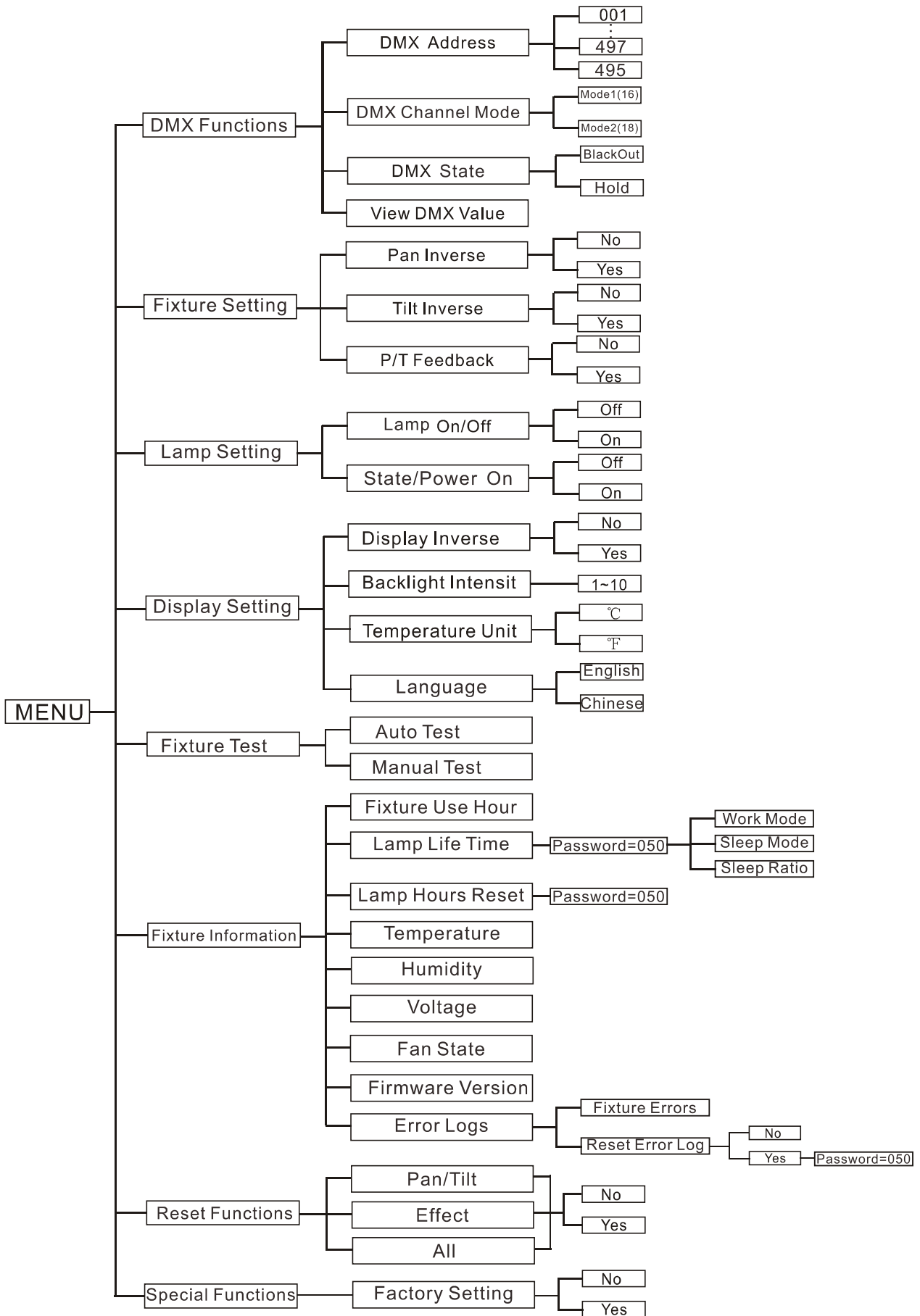
Attention: Damages caused by the failure to replace the bulb in time are not subject to warranty.

5. How To Set The Unit

5.1 Main Function

Turn on the unit, press the **MENU** button into menu mode, and press the **UP/DOWN** button until the required function is shown on the monitor. Select the function by the **ENTER** button. Use the **UP/DOWN** button to choose the submenu, press the **ENTER** button to store and automatically return to the last menu. Press the **MENU** button or let the unit idle 30 seconds to exit menu mode.

The main functions are shown below:



DMX Functions

To select **DMX Functions**, press the **ENTER** button to confirm, use the **UP/DOWN** button to select **DMX Address, DMX Channel Mode, DMX State** or **View DMX Value**.

DMX Address

To select **DMX Address**, press the **ENTER** button to confirm. Use the **UP/DOWN** button to adjust the address from **001** to **497/495**, press the **ENTER** button to store. Press the **MENU** button back to the last menu or let the unit idle 30 seconds to exit menu mode.

DMX Channel Mode

To select **DMX Channel Mode**, press the **ENTER** button to confirm. Use the **UP/DOWN** button to select **Mode1 (16)** or **Mode2 (18)**, press the **ENTER** button to store. Press the **MENU** button back to the last menu or let the unit idle 30 seconds to exit menu mode.

DMX State

To select **DMX State**, press the **ENTER** button to confirm. Use the **UP/DOWN** button to select **BlackOut**(fixture blacks out if DMX signal stops) or **Hold**(fixture continues to obey the last command it received Via DMX if DMX signal stops), press the **ENTER** button to store. Press the **MENU** button back to the last menu or let the unit idle 30 seconds to exit menu mode.

View DMX Value

To select **View DMX Value**, press the **ENTER** button to confirm. Use the **UP/DOWN** button to view the DMX channel value. Press the **MENU** button back to the last menu or let the unit idle 30 seconds to exit menu mode.

Fixture Setting

To select **Fixture Setting**, press the **ENTER** button to confirm, use the **UP/DOWN** button to select **Pan Inverse, Tilt Inverse** or **P/T Feedback**.

Pan Inverse

To select **Pan Inverse**, press the **ENTER** button to confirm. Use the **UP/DOWN** button to select **No** (normal) or **Yes** (pan inverse), press the **ENTER** button to store. Press the **MENU** button back to the last menu or let the unit idle 30 seconds to exit menu mode.

Tilt Inverse

To select **Tilt Inverse**, press the **ENTER** button to confirm. Use the **UP/DOWN** button to select **No** (normal) or **Yes** (tilt inverse), press the **ENTER** button to store. Press the **MENU** button back to the last menu or let the unit idle 30 seconds to exit menu mode.

P/T Feedback

To select **P/T Feedback**, press the **ENTER** button to confirm. Use the **UP/DOWN** button to select **No** (Pan or tilt's position will not feedback while out of step) or **Yes** (Feedback while pan/tilt out of step), press the **ENTER** button to store. Press the **MENU** button back to the last menu or let the unit idle 30 seconds to exit menu mode.

Lamp Setting

To select **Fixture Setting**, press the **ENTER** button to confirm, use the **UP/DOWN** button to select **Lamp On/Off** or **State/Power On**.

Lamp On/Off

To select **Lamp On/Off**, press the **ENTER** button to confirm. Use the **UP/DOWN** button to select **On**(lamp on) or **Off**(lamp off), press the **ENTER** button to store. Press the **MENU** button back to the last menu or let the unit idle 30 seconds to exit menu mode.

State/Power On

To select **State/Power On**, press the **ENTER** button to confirm. Use the **UP/DOWN** button to select **On**(Lamp on while power on) or **Off**(Lamp off while power on), press the **ENTER** button to store. Press the **MENU** button back to the last menu or let the unit idle 30 seconds to exit menu mode.

Display Setting

To select **Display Setting**, press the **ENTER** button to confirm, use the **UP/DOWN** button to select **Display Inverse, Backlight Intensit, Temperature Unit** or **Language**.

Display Inverse

Select **Display Inverse**, press the **ENTER** button to confirm, present mode will blink on the display, use the **UP/DOWN** button to select **No** (normal display) or **Yes** (inverse display), press the **ENTER** button to store. Press the **MENU** button back to the last menu or let the unit idle 30 seconds to exit menu mode.

Backlight Intensity

Select **Backlight Intensity**, press the **ENTER** button to confirm, present mode will blink on the display, use the **UP/DOWN** button to adjust backlight intensity from **1** (dark) to **10** (bright), press the **ENTER** button to store. Press the **MENU** button back to the last menu or let the unit idle 30 seconds to exit menu mode.

Temperature Unit

Select **Temperature Unit**, press the **ENTER** button to confirm, present mode will blink on the display, use the **UP/DOWN** button to select °C or °F, press the **ENTER** button to store. Press the **MENU** button back to the last menu or let the unit idle 30 seconds to exit menu mode.

Language

Select **Language**, press the **ENTER** button to confirm, present mode will blink on the display, use the **UP/DOWN** button to select **English** or **Chinese**, press the **ENTER** button to store. Press the **MENU** button back to the last menu or let the unit idle 30 seconds to exit menu mode.

Fixture Test

To select **Fixture Test**, press the **ENTER** button to confirm, use the **UP/DOWN** button to select **Auto Test** or **Manual Test**

Auto Test

Select **Auto Test**, press the **ENTER** button to confirm, the unit will run built-in programs to automatically test pan, tilt, shutter, color, CMY, gobo, gobo rotation, prism, prism rotation, iris, frost, zoom, focus, dimmer and lamp on/off. Press the **MENU** button back to the last menu or exit menu mode after auto test.

Manual Test

Select **Manual Test**, press the **ENTER** button to confirm, the present channel will show on the display, use the **UP/DOWN** button to select channel, press the **ENTER** button to confirm, then use the **UP/DOWN** button to adjust the value, press the **ENTER** button to store, the fixture will run as the channel value indicates. Press the **MENU** button back to the last menu or exit menu mode idling 30 seconds.

(All channels value will become 0 after exiting Manual Test menu)

Fixture Information

To select **Fixture Information**, press the **ENTER** button to confirm, use the **UP/DOWN** button to select **Fixture Use Hour**, **Lamp Life Time**, **Lamp Hours Reset**, **Temperature**, **Humidity**, **Voltage**, **Fan State**, **Firmware Version** or **Error Logs**.

Fixture Use Hour

Select **Fixture Use Hour**, press the **ENTER** button to confirm, fixture use time will show on the display, press the **MENU** button to exit.

Lamp Life Time

Select **Lamp Life Time**, press the **ENTER** button to confirm, lamp life time will show on the display. Long-press the **ENTER** button, use the **UP/DOWN** button to set the password **050**, press the **ENTER** button to confirm and lamp life time in **Work Mode**, **Sleep Mode** or **Sleep Ratio** can be viewed, press the **ENTER** button to confirm. Press the **MENU** button back to the last menu or let the unit idle 30 seconds to exit menu mode.

Lamp Hours Reset

Select **Lamp Hours Reset**, press the **ENTER** button to confirm, use the **UP/DOWN** button to set the password **050**, press the **ENTER** button to reset the lamp time. Press the **MENU** button back to the last menu or let the unit idle 30 seconds to exit menu mode.

Temperature

Select **Temperature**, press the **ENTER** button to confirm, fixture temperature will show on the display, press the **MENU** button to exit.

Humidity

Select **Humidity**, press the **ENTER** button to confirm, humidity will show on the display, press the **MENU** button to exit.

Voltage

Select **Voltage**, press the **ENTER** button to confirm, fixture voltage will show on the display, press the **MENU** button to exit.

Fan State

Select **Fan State**, press the **ENTER** button to confirm, fan state will show on the display, press the **MENU** button to exit.

Firmware Version

Select **Firmware Version**, press the **ENTER** button to confirm, firmware version will show on the display, press the **MENU** button back to exit.

Error Logs

To select **Error Logs**, press the **ENTER** button to confirm. Use the **UP/DOWN** button to select **Fixture Errors** or **Reset Error Log**, press the **ENTER** button to store. To select **Reset Error Log**, press the **ENTER** button to confirm, use the **UP/DOWN** button to select **No** or **Yes**, press the **ENTER** button to store. To select **Yes**, press the **ENTER** button to confirm, use the **UP/DOWN** button to set the password **050**, press the **ENTER** button to reset error log. Press the **MENU** button back to the last menu or let the unit idle 30 seconds to exit menu mode.

Reset Functions

To select **Reset Function**, press the **ENTER** button to confirm, use the **UP/DOWN** button to select **Pan/Tilt**, **Effect** or **All**.

Pan/Tilt

Select **Pan/Tilt**, press the **ENTER** button to confirm, use the **UP/DOWN** button to select **Yes** (the unit will run built-in program to reset pan and tilt to their home positions) or **No**(normal), press the **ENTER** button to store. Press the **MENU** button to exit.

Effect

Select **Effect**, press the **ENTER** button to confirm, use the **UP/DOWN** button to select **Yes** (the unit will run built-in program to reset effect to their home positions) or **No**, press the **ENTER** button to store. Press the **MENU** button to exit.

All

Select **All**, press the **ENTER** button to confirm, use the **UP/DOWN** button to select **Yes** (the unit will run built-in program to reset all motors to their home positions) or **No**, press **ENTER** button to store. Press the **MENU** button to exit.

Special Functions

Factory Setting

Select **Factory Setting**, press the **ENTER** button to confirm, use the **UP/DOWN** button to select **Yes** (the fixture will reset to factory settings) or **No** (normal), press **ENTER** button to store. Press the **MENU** button to exit.

RDM FUNCTIONS

Select the MANUFACTURER menu to display the manufacturer of the fixture.

Select the SOFTWARE VERSION menu and the program version number of the fixture will be displayed.

Select the DMX START ADDRESS menu to change the DMX 512 address (001-512).

Select the DEVICE MODEL DESCRIPTION menu to display the model of the fixture.

Select the DEVICE LABEL menu to change the model of the fixture.

Select the DMX PERSONALITY menu to set the channel mode of the fixture (16/18 channel).

Select the DMX PERSONALITY DESCRIPTION menu to display the current channel mode of the fixture.

Select the DEVICE HOURS menu to display the running time of the fixture.

Select the LAMP HOURS menu to display the running time of the lamp.

Select the LAMP STATE menu to turn on/off the lamp.

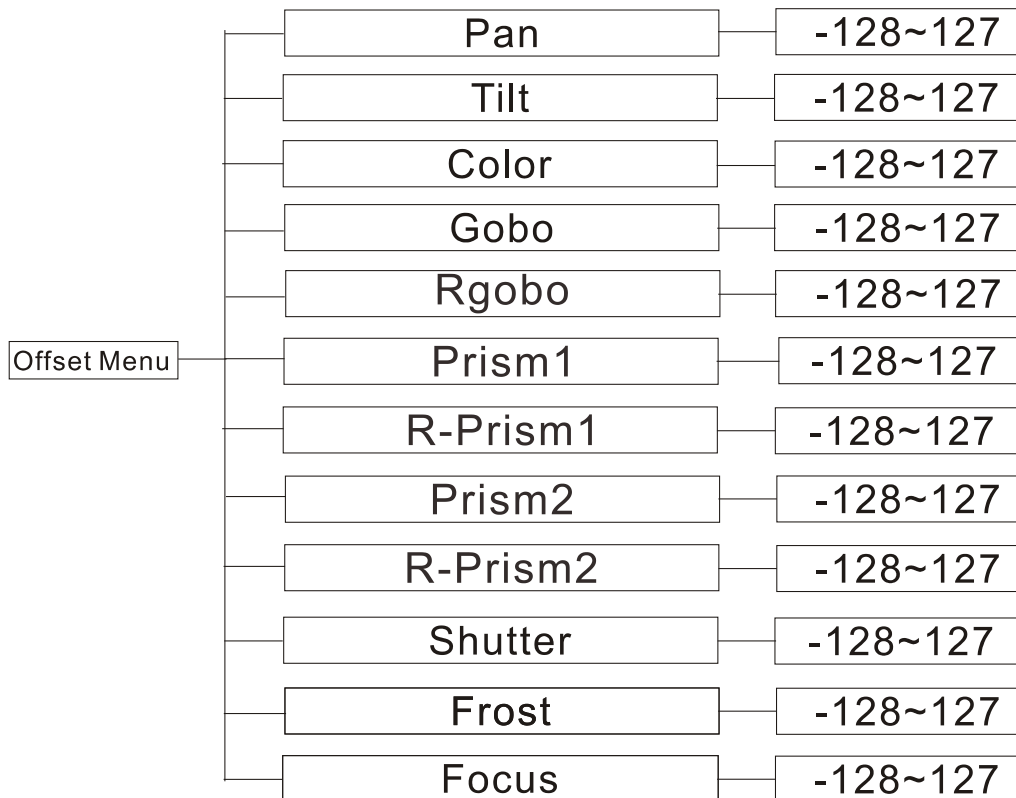
Select the PAN INVERT menu and the fixture will run the pan invert mode.

Select the TILT INVERT menu and the fixture will run the tilt invert mode.

Select the RESET DEVICE menu, the WARM RESET/COLD RESET option will be displayed. When WARM RESET is selected, the fixture will start a warm reset, and exit when COLD RESET is selected.

5.2 Home Position Adjustment

Press the MENU button into menu mode, then press the ENTER button for about 3 seconds into offset mode to adjust the home position. Select the function by the ENTER button. Use the UP/DOWN button to choose the submenu, press the ENTER button to store and automatically return to the last menu. Press MENU button to exit.



Pan

Enter offset mode, Select **Pan**, press the **ENTER** button to confirm, the present position will blink on the display, use the **UP/DOWN** button to offset the value from -128 to 127, press the **ENTER** button to store. Press the **MENU** button to exit.

Tilt

Enter offset mode, Select **Tilt**, press the **ENTER** button to confirm, the present position will blink on the display, use the **UP/DOWN** button to offset the value from -128 to 127, press the **ENTER** button to store. Press the **MENU** button to exit.

Color

Enter offset mode, Select **Color**, press the **ENTER** button to confirm, the present position will blink on the display, use the **UP/DOWN** button to offset the value from -128 to 127, press the **ENTER** button to store. Press the **MENU** button to exit.

Gobo

Enter offset mode, Select **Gobo**, press the **ENTER** button to confirm, the present position will blink on the display, use the **UP/DOWN** button to offset the value from -128 to 127, press the **ENTER** button to store. Press the **MENU** button to exit.

R-Gobo

Enter offset mode, Select **R-Gobo**, press the **ENTER** button to confirm, the present position will blink on the display, use the **UP/DOWN** button to offset the value from -128 to 127, press the **ENTER** button to store. Press the **MENU** button to exit.

Prism1

Enter offset mode, Select **Prism**, press the **ENTER** button to confirm, the present position will blink on the display, use the **UP/DOWN** button to offset the value from -128 to 127, press the **ENTER** button to store. Press the **MENU** button to exit.

R-Prism1

Enter offset mode, Select **R-Prism**, press the **ENTER** button to confirm, the present position will blink on the display, use the **UP/DOWN** button to offset the value from -128 to 127, press the **ENTER** button to store. Press the **MENU** button to exit.

Prism2

Enter offset mode, Select **Prism2**, press the **ENTER** button to confirm, the present position will blink on the display, use the **UP/DOWN** button to offset the value from -128 to 127, press the **ENTER** button to store. Press the **MENU** button to exit.

R-Prism2

Enter offset mode, Select **R-Prism2**, press the **ENTER** button to confirm, the present position will blink on the display, use the **UP/DOWN** button to offset the value from -128 to 127, press the **ENTER** button to store. Press the **MENU** button to exit.

Shutter

Enter offset mode, Select **Shutter**, press the **ENTER** button to confirm, the present position will blink on the display, use the **UP/DOWN** button to offset the value from -128 to 127, press the **ENTER** button to store. Press the **MENU** button to exit.

Frost

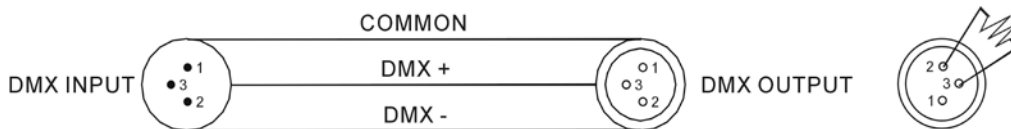
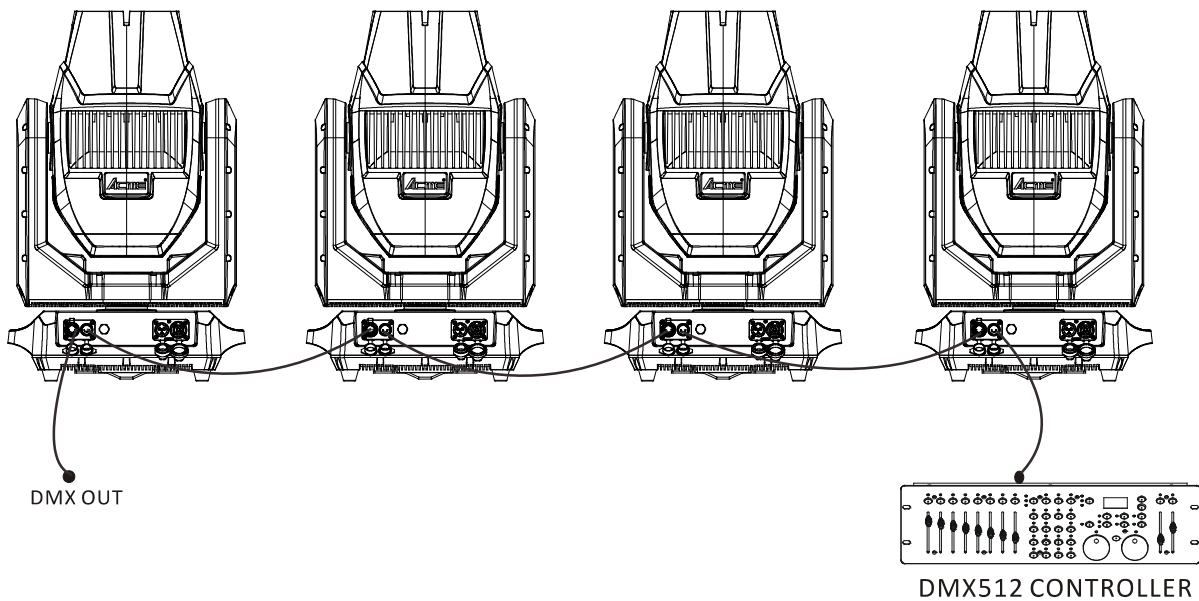
Enter offset mode, Select **Frost**, press the **ENTER** button to confirm, the present position will blink on the display, use the **UP/DOWN** button to offset the value from -128 to 127, press the **ENTER** button to store. Press the **MENU** button to exit.

Focus

Enter offset mode, Select **Focus**, press the **ENTER** button to confirm, the present position will blink on the display, use the **UP/DOWN** button to offset the value from -128 to 127, press the **ENTER** button to store. Press the **MENU** button to exit.

6. Control By Universal DMX Controller

6.1 DMX512 Connection



1. At last unit, the DMX cable has to be terminated with a terminator. Solder a 120-ohm 1/4W resistor between pin 2(DMX-) and pin 3(DMX+) into a 3-pin XLR-plug and plug it in the DMX-output of the last unit.
2. Connect the unit together in a “daisy chain” by XLR plug cable from the output of the unit to the input of the next unit. The cable cannot be branched or split to a “Y” cable. DMX 512 is a very high-speed signal. Inadequate or damaged cables, soldered joints or corroded connectors can easily distort the signal and shut down the system.
3. The DMX output and input connectors are pass-through to maintain the DMX circuit, when one of the units’ power is disconnected.
4. Each lighting unit needs to have a DMX address to receive the data by the controller. The address number is between 1-512.
5. The end of the DMX 512 system should be terminated to reduce signal errors.
6. 3 pin XLR connectors are more popular than 5 pins XLR.

3 pin XLR: Pin 1: GND, Pin 2: Negative signal (-), Pin 3: Positive signal (+)

5 pin XLR: Pin 1: GND, Pin 2: Negative signal (-), Pin 3: Positive signal (+), Pin4, Pin5 not used.

6.2 Address Setting

If you use a universal DMX controller to control the units, you have to set DMX address from 1 to 512 so that the units can receive DMX signal.

Press the MENU button to enter menu mode, select DMX Functions, press the ENTER button to confirm, use the UP/DOWN button to select DMX Address, press the ENTER button to confirm, the present address will be blinking on the display, use the UP/DOWN button to adjust the address from 001 to 512, press the ENTER button to store. Press the MENU button back to the last menu or let the unit idle 30 seconds to exit menu mode.

Please refer to the following diagram to address your DMX512 channel for the first 4 units.

Channel mode	Unit 1 Address	Unit 2 Address	Unit 3 Address	Unit 4 Address
16 channels	1	17	33	49
18 channels	1	19	37	55

6.3 DMX512 Configuration

Please refer to below configurations to control the fixtures

Attentions:

1. The unit will maintain the last condition until reset if you cut-off the DMX signal.
2. For the channel Function, keep the value for about 3 seconds, then the corresponding function will take into effect.

16 Channels (Mode 1):

CHANNEL	VALUE	FUNCTION
1	000-255	PAN 0°→540°
2	000-255	PAN FINE
3	000-255	TILT 0°→270°
4	000-255	TILT FINE
5	000-003 004-007 008-011	COLOR White Color 1 Color 2

	012-015 016-019 020-023 024-027 028-031 032-035 036-039 040-043 044-047 048-051 052-055 056-059 060-127 128-189 190-193 194-255	Color 3 Color 4 Color 5 Color 6 Color 7 Color 8 Color 9 Color 10 Color 11 Color 12 Color 13 Color 14 Color wheel indexing Counter-Clockwise rotation, fast to slow Stop Clockwise rotation, slow to fast
6	000-009 010-014 015-019 020-024 025-029 030-034 035-039 040-044 045-049 050-054 055-059 060-063 064-068 069-073 074-078 079-083 084-088 089-093 094-098 099-103 104-108 109-113 114-118 119-127 128-189 190-193 194-255	GOBO Open Gobo 1 Gobo 2 Gobo 3 Gobo 4 Gobo 5 Gobo 6 Gobo 7 Gobo 8 Gobo 9 Gobo 10 Gobo 11 Open shaking Gobo1 shaking Gobo2 shaking Gobo3 shaking Gobo4 shaking Gobo5 shaking Gobo6 shaking Gobo7 shaking Gobo8 shaking Gobo9 shaking Gobo10 shaking Gobo11 shaking Counter-Clockwise rotation, fast to slow Stop Clockwise rotation, slow to fast
7	000-127 128-189	R-GOBO Index Clockwise rotation, fast to slow Stop

	190-193 194-255	Stop Counter-Clockwise rotation, slow to fast
8	000-007 008-255	PRISM1 Close Open
9	000-127 128-189 190-193 194-255	R-PRISM1 Index rotation Counter-Clockwise rotation, fast to slow Stop Clockwise rotation, slow to fast
10	000-007 008-255	PRISM2 Close Open
11	000-127 128-189 190-193 194-255	R-PRISM2 Index rotation Counter-Clockwise rotation, fast to slow Stop Clockwise rotation, slow to fast
12	000-007 008-015 016-131 132-167 168-203 204-239 240-247 248-255	SHUTTER Close Open Strobe from slow to fast Fast close slow open Fast open slow close Pulsation from slow to fast Random Strobe Open
13	000-255	DIMMER 0%→100%
14	000-007 008-255	FROST Off On
15	000-255	FOCUS 0%→100%
16	000-069 070-079 080-089 090-099 100-109 110-119 120-129 130-139 140-149 150-159	SPECIAL FUNCTION No Function Blackout While Pan Tilt Move Enable Blackout While Pan Tilt Move Disable Blackout While Color Move Enable Blackout While Color Move Disable Blackout While Gobo Move Enable Blackout While Gobo Move Disable Lamp On Reset XY Reset Effect

	160-199	No Function
	200-209	Reset All
	210-229	No Function
	230-239	Lamp Off
	240-255	No Function

18 Channels (Mode 2):

CHANNEL	VALUE	FUNCTION
1	000-255	PAN 0°→540°
2	000-255	PAN FINE
3	000-255	TILT 0°→270°
4	000-255	TILT FINE
5	000-255	P/T SPEED Fast to Slow
6	000-003 004-007 008-011 012-015 016-019 020-023 024-027 028-031 032-035 036-039 040-043 044-047 048-051 052-055 056-059 060-127 128-189 190-193 194-255	COLOR White Color 1 Color 2 Color 3 Color 4 Color 5 Color 6 Color 7 Color 8 Color 9 Color 10 Color 11 Color 12 Color 13 Color 14 Color wheel indexing Counter-Clockwise rotation, fast to slow Stop Clockwise rotation, slow to fast
7	000-009 010-014 015-019 020-024 025-029	GOBO Open Gobo 1 Gobo 2 Gobo 3 Gobo 4

	030-034 035-039 040-044 045-049 050-054 055-059 060-063 064-068 069-073 074-078 079-083 084-088 089-093 094-098 099-103 104-108 109-113 114-118 119-127 128-189 190-193 194-255	Gobo 5 Gobo 6 Gobo 7 Gobo 8 Gobo 9 Gobo 10 Gobo 11 Open shaking Gobo1 shaking Gobo2 shaking Gobo3 shaking Gobo4 shaking Gobo5 shaking Gobo6 shaking Gobo7 shaking Gobo8 shaking Gobo9 shaking Gobo10 shaking Gobo11 shaking Counter-Clockwise rotation, fast to slow Stop Clockwise rotation, slow to fast
8	000-127 128-189 190-193 194-255	R-GOBO Index Clockwise rotation, fast to slow Stop Stop Counter-Clockwise rotation, slow to fast
9	000-007 008-255	PRISM1 Close Open
10	000-127 128-189 190-193 194-255	R-PRISM1 Index rotation Counter-Clockwise rotation, fast to slow Stop Clockwise rotation, slow to fast
11	000-007 008-255	PRISM2 Close Open
12	000-127 128-189 190-193 194-255	R-PRISM2 Index rotation Counter-Clockwise rotation, fast to slow Stop Clockwise rotation, slow to fast
13	000-007 008-015	SHUTTER Close Open

	016-131 132-167 168-203 204-239 240-247 248-255	Strobe from slow to fast Fast close slow open Fast open slow close Pulsation from slow to fast Random Strobe Open
14	000-255	DIMMER 0%→100%
15	000-007 008-255	FROST Off On
16	000-255	FOCUS 0%→100%
17	000-255	FOCUS FINE
18	000-069 070-079 080-089 090-099 100-109 110-119 120-129 130-139 140-149 150-159 160-199 200-209 210-229 230-239 240-255	SPECIAL FUNCTION No Function Blackout While Pan Tilt Move Enable Blackout While Pan Tilt Move Disable Blackout While Color Move Enable Blackout While Color Move Disable Blackout While Gobo Move Enable Blackout While Gobo Move Disable Lamp On Reset XY Reset Effect No Function Reset All No Function Lamp Off No Function

7. Error Information

1. CPU-B/C/D Error

Check whether the 485 (DATA) leads on the PCB board are install in place or disconnected.

Check whether the 485 (DATA) lead is disconnected.

Check whether the relevant signal circuit 485 (DATA) on the PCB board is damaged.

2. Pan Reset Error

Check if the position of the pan mounting magnetic steel falls off or is damaged.

Check if there are other interference items in the pan operating range.

Check if the pan Hall elements is damaged.

Check if the pan Hall elements is in poor contact with the lead of the PCB board or disconnected.

Check if the pan motor is damaged.

Check if there is any damage to the circuit of the pan motor drive board.

3. Pan Encoder Error

Check if the pan encoder is damaged.

Check if the pan encoder is in poor contact with the lead of the PCB board or disconnected.

4. Tilt Reset Error

Check if the position of the tilt mounting magnetic steel falls off or is damaged.

Check if there are other interference items in the tilt operating range.

Check if the tilt Hall elements is damaged.

Check if the tilt Hall elements is in poor contact with the lead of the PCB board or disconnected.

Check if the tilt motor is damaged.

Check if there is any damage to the circuit of the tilt motor drive board.

5. Tilt Encoder Error

Check if the tilt encoder is damaged.

Check if the tilt encoder is in poor contact with the lead of the PCB board or disconnected.

6. Color Reset Error

Check if the position of the color wheel mounting magnetic steel falls off or is damaged.

Check if there are other interference items in the color wheel operating range.

Check if the color wheel Hall elements is damaged.

Check if the color wheel Hall elements is in poor contact with the lead of the PCB board or disconnected.

Check if the color wheel motor is damaged.

Check if there is any damage to the circuit of the color wheel motor drive board.

7. Gobo1 Reset Error

Check if the position of the gobo wheel1 mounting magnetic steel falls off or is damaged.

Check if there are other interference items in the gobo wheel1 operating range.

Check if the gobo wheel1 Hall elements is damaged.

Check if the gobo wheel1 Hall elements is in poor contact with the lead of the PCB board or disconnected.

Check if the gobo wheel1 motor is damaged.

Check if there is any damage to the circuit of the gobo wheel1 motor drive board.

8. Prism1/2 Reset Error

Check if the position of the Prism1/2 mounting magnetic steel falls off or is damaged.

Check if there are other interference items in the Prism1/2 operating range.

Check if the Prism1/2 Hall elements is damaged.

Check if the Prism1/2 Hall elements is in poor contact with the lead of the PCB board or disconnected.

Check if the Prism1/2 motor is damaged.

Check if there is any damage to the circuit of the Prism1/2 motor drive board.

9. R-Prism1/2 Reset Error

Check if the position of the Prism1/2 mounting magnetic steel falls off or is damaged.

Check if there are other interference items in the Prism1/2 operating range.

Check if the Prism1/2 Hall elements is damaged.

Check if the Prism1/2 Hall elements is in poor contact with the lead of the PCB board or disconnected.

Check if the Prism1/2 motor is damaged.

Check if there is any damage to the circuit of the Prism1/2 motor drive board.

10. Focus Reset Error

Check if the position of the focus mounting magnetic steel falls off or is damaged.

Check if there are other interference items in the focus operating range.

Check if the focus Hall elements is damaged.

Check if the focus Hall elements is in poor contact with the lead of the PCB board or disconnected.

Check if the focus motor is damaged.

Check if there is any damage to the circuit of the focus motor drive board.

11. Lamp Too Hot Off

Check if the temperature switch of the lamp is off.

Check if the fans are still running properly.

12. Base Fan1/2/3 Error

Check if the base fan1/2/3 is out of order.

13. Arm Fan1/2 Error

Check if the arm fan1/2 is out of order.

14. Head Fan1/2/3/4/5/6/7 Error

Check if the head fan1/2/3/4/5/6/7 is out of order.

8. Troubleshooting

Following are a few common problems that may occur during operation. Here are some suggestions for easy troubleshooting:

A. The unit does not work, no light and the fan does not work

1. Check the connect power.
2. Measure the mains voltage on the main connector.
3. Check the power on LED to see if it can be light up or not.

B. Not responding to DMX controller

1. Check DMX connectors, cables to see if they are linked properly.
2. Check the address settings and DMX polarity.
3. If you have intermittent DMX signal problems, check the pins on connectors or on PCB of the unit or the previous one.
4. Try to use another DMX controller.
5. Check to see if the DMX cables run near or run alongside to high voltage cables that may cause damage or interference to DMX interface circuit.

C. One of the channels is not working well

1. The stepper motor might be damaged or the cable connected to the PCB is broken.
2. The motor's drive IC on the PCB might be out of condition.

D. The lamp is cutting out intermittently

1. The lamp is not working well. Check the mains voltage either too high or too low.
2. Internal temperature may be too high. Check if replacement of fan is needed on the head.

9. Fixture Cleaning

The cleaning of internal and external optical lenses and/or mirrors must be carried out periodically to optimize light output. Cleaning frequency depends on the environment in which the fixture operates: damp, smoky or particularly dirty surrounding can cause greater accumulation of dirt on the unit's optics.

- Clean with soft cloth and use normal glass to clean liquid.
- Always dry the parts carefully.
- Clean the external optics at least every 20 days.

Declaration of Conformity

We declare that our products (lighting equipments) comply with the following specification and bears CE mark in accordance with the provision of the Electromagnetic Compatibility (EMC) Directive 2014/30/EU.

EN 55032: 2015; EN61000-3-2: 2014;
EN 61000-3-3: 2013; EN 55103-2: 2009.

&

Harmonized Standard

EN 60598-1: 2015; EN 60598-2-17: 1989+A2:1991;
EN 62493: 2015
Safety of household and similar electrical appliances
Part 1: General requirements

Innovation, Quality, Performance