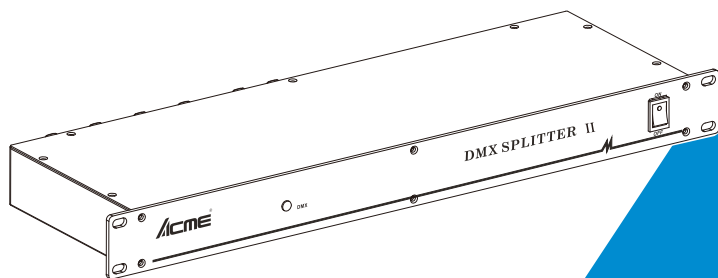




DMX SPLITTER II



User Manual

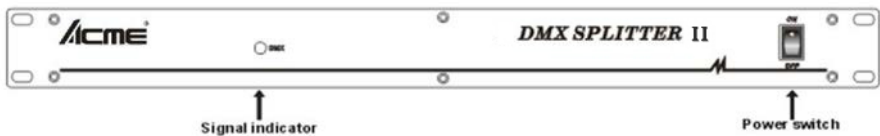
Please read the instruction carefully before use

Acme DMX SPLITTER can overcome the restriction that single RS-485 can only connect 32 sets of lighting equipment. Nowadays, It's indispensable that multiple DMX-512 outputs optically isolated in many DMX controlled systems. DMX SPLITTER provides total electrical isolation between different branches in a daisy chain group. This greatly decreases problems with ground loops. DMX SPLITTER will efficiently buffer and magnify the DMX signal that can make the DMX data transmission more accurate and reliable.

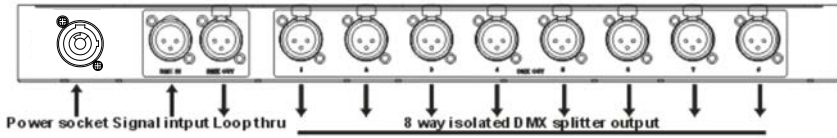
1. Features

- Fully controlled by DMX-512 (1990)
- Buffer, magnify, distribute DMX signal effectively
- 3 /5pin XLR input and a passive loop through
- 8 way isolated DMX splitter output
- Input isolated from outputs over 2000V
- Outputs are isolated from each other over 2000V
- Power supply: AC100-240V, 50/60Hz
- 1U 19" rack mount
- Dimension: 483 x 44.5 x 145 mm/19"x5.7"x1.8" in
- Weight: 2kg /4.4lbs

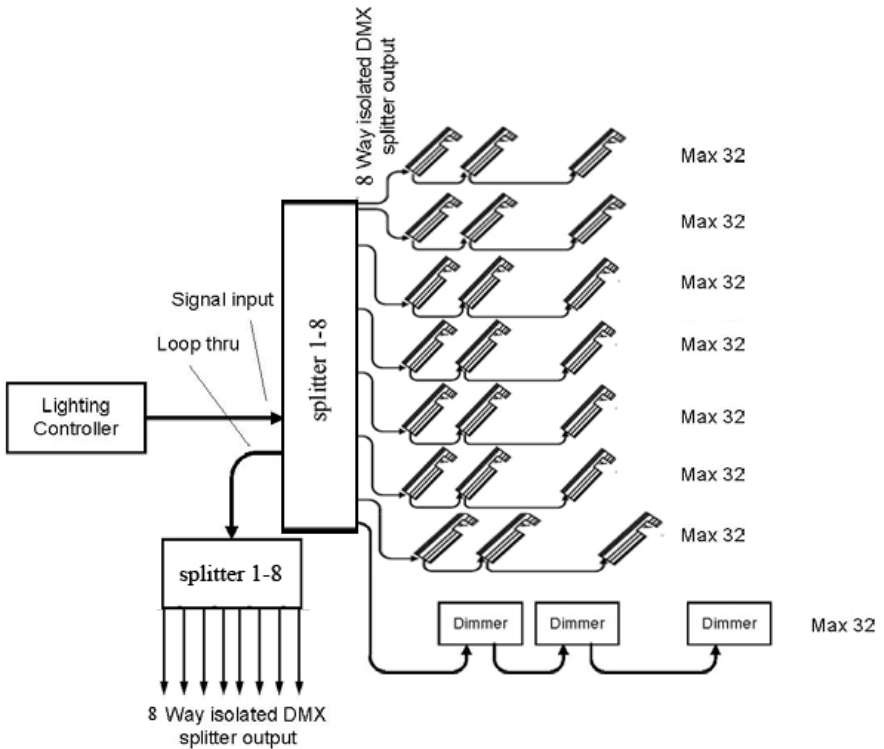
2. Front Panel



3. Back Panel



4. Application Diagram :



Innovation, Quality, Performance