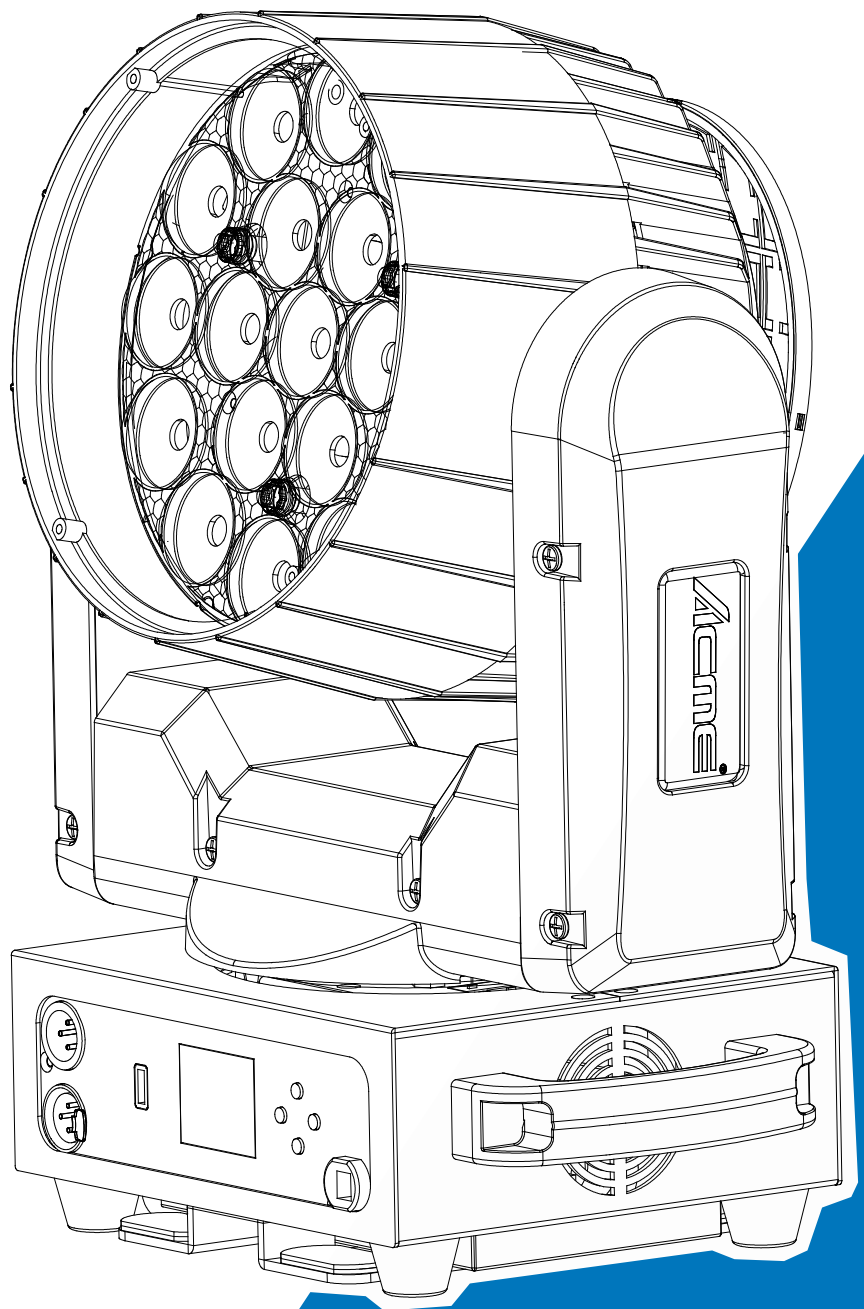


# Acme<sup>®</sup>

## SPARKLING



### User Manual

Please read the instruction carefully before use

## CONTENTS

1. Safety Instructions .....	2
2. Technical Specifications .....	4
3. How To Set The Unit.....	6
3.1 Control Panel .....	6
3.2 Main Function.....	6
3.3 Home Position Adjustment .....	15
4. Control By Universal DMX Controller .....	16
4.1 DMX512 Connection .....	16
4.2 Address Setting .....	17
4.3 DMX512 Configuration.....	17
5. Error Information .....	23
6. Troubleshooting .....	26
7. Fixture Cleaning .....	26

## 1. Safety Instructions



Please read the instruction carefully which includes important information about the installation, usage and maintenance.

### WARNING

Please keep this User Guide for future consultation. If you sell the unit to another user, be sure that they also receive this instruction manual.

### Important:

**Damages caused by the disregard of this user manual are not subject to warranty. The dealer will not accept liability for any resulting defects or problems.**

- Unpack and check carefully to ensure that there is no transportation damage before using the unit.
- This product is for indoor use only. Use only in a dry location.
- DO install and operate by qualified operator.
- DO NOT allow children to operate the fixture.
- Use safety chain when fixing the unit. Handle the unit by carrying its base instead of head only.
- The unit must be installed in a location with adequate ventilation, at least 50cm from adjacent surfaces.
- Be sure that no ventilation slots is blocked, otherwise the unit will be overheated.
- Before operation, ensure that you are connecting this product to the proper voltage in accordance with the specifications in this manual or on the product's specification label.
- It's important to ground the yellow/green conductor to earth in order to avoid electric shock.
- Minimum ambient temperature TA: 0°C. Maximum ambient temperature TA: 40°C. Do not operate this product at a lower or higher temperature.
- DO NOT connect the device to any dimmer pack.
- Keep flammable materials away from the fixture while operating to avoid fire hazard.
- Make sure the power cord is not crimped or damaged; replace it immediately if damaged.
- Unit's surface temperature may reach up to 75°C. DO NOT touch the housing bare-handed during its operation.
- Avoid any flammable liquids, water or metal from entering the unit. Once it happens, cut off the mains power immediately.

- DO NOT operate in a dirty or dusty environment. DO clean the fixture regularly.
- DO NOT touch any wire during operation as there might be a hazard of electric shock.
- Avoid entanglement of the power cord with other wires.
- The minimum distance to objects/surface must be more than 0.5 meters.
- In the event of serious operating problem, stop using the unit immediately.
- Never turn on and off the unit time after time.
- The housing, the lenses, or the ultraviolet filter must be replaced if they are visibly damaged.
- DO NOT open the housing as there are no user serviceable parts inside.
- DO NOT attempt to operate this unit if it becomes damaged. DO NOT attempt any repairs yourself. Repairs carried out by unskilled people can lead to damage or malfunction. Please contact the nearest authorized technical assistance center if needed.
- Disconnect this product from its power source before servicing.
- DO use the original packaging if the device is to be transported.
- Avoid direct eye exposure to the light source while the product is on.
- DO NOT operate this product if you see damage on the housing, shields, or cables. Have the damaged parts replaced by an authorized technician at once.

**Installation:**

The fixture should be fixed on the clamp. Always ensure that the unit is firmly fixed to avoid vibration and slipping off during operation. Ensure that the trussing or area of installation must be able to hold 10 times the weight without any deformation. Always install a safety cable that can hold at least 12 times the weight of the fixture when installing.

DO install and operate by qualified operator. It must be installed in a place where there is out of the reach of people.

## 2. Technical Specifications

### **Power Voltage:**

100-240V~ 50/60Hz

### **Power Consumption:**

300W

### **Light Source:**

19x15W RGBA LED

### **Zoom Range:**

10°-60°

### **Movement:**

Pan: 540°

Tilt: 280°

Pan/Tilt Resolution: 16bit

### **Dimmer/Shutter:**

Smooth dimming from 0~100%, outstanding strobe effect with variable speed

### **Control:**

DMX channel: 11/14/23/15 channels

Control Mode: DMX512, RDM

Firmware Upgrade via DMX link & USB disk

### **Construction:**

Display: LCD display

Data In/Out: 3-pin XLR

Power In/Out: Power Cord, Power Connector in

Protection Rating: IP20

### **Features:**

Electronic linear zoom system

Ring control, outstanding color macro effect

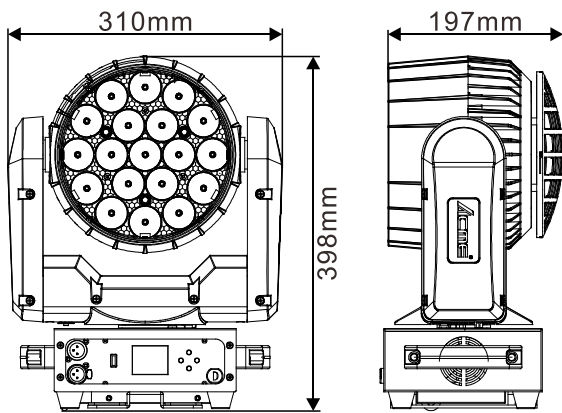
With circular reflector mirror, can create mirrorball effect with beam light spotting on the mirror

Fast and mute operating, flicker free

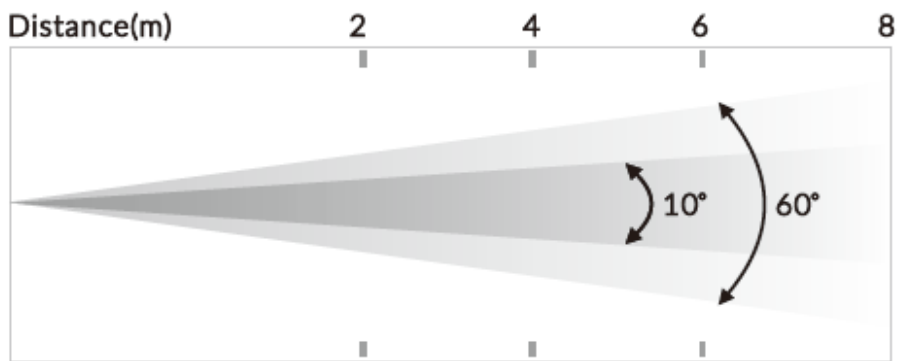
**Dimension/Weight:**

310x197x398mm, 8.6kg

12.2"x7.7"x15.6" in, 18.9lbs



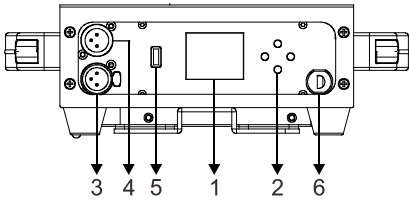
**Photometric Diagram:**



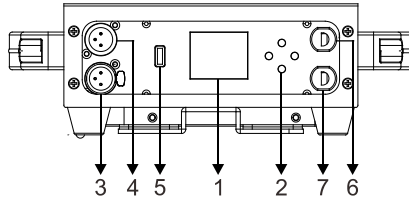
	2	4	6	8
10° Lux	26159	6540	2906	1635
Diameter(m)	0.4	0.7	1	1.4
60° Lux	1813	453	201	113
Diameter(m)	2.3	4.6	7	9.3

### 3. How To Set The Unit

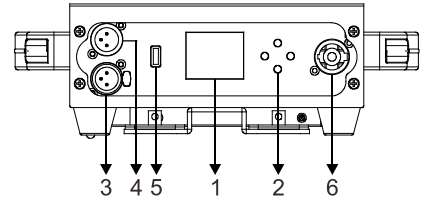
#### 3.1 Control Panel



Power Cord Version1



Power Cord Version2



PowerCon Version

**1. Display:** To show the various menus and the selected function

**2. Button:**

<b>MENU</b>	To enter into move backward or leave the menu
<b>▲ UP</b>	To go backward to move up in the menu
<b>▼ DOWN</b>	To go forward to move down in the menu
<b>ENTER</b>	To perform the desired functions

**3. DMX OUT:**

For DMX512 link, use 3-pin XLR cable to link the next units to output DMX signal

**4. DMX IN:**

DMX512 link, use 3-pin XLR cable to link the unit and DMX controller to input DMX signal

**5. FIRMWARE UPGRADE:** Used to upgrade fixture's firmware

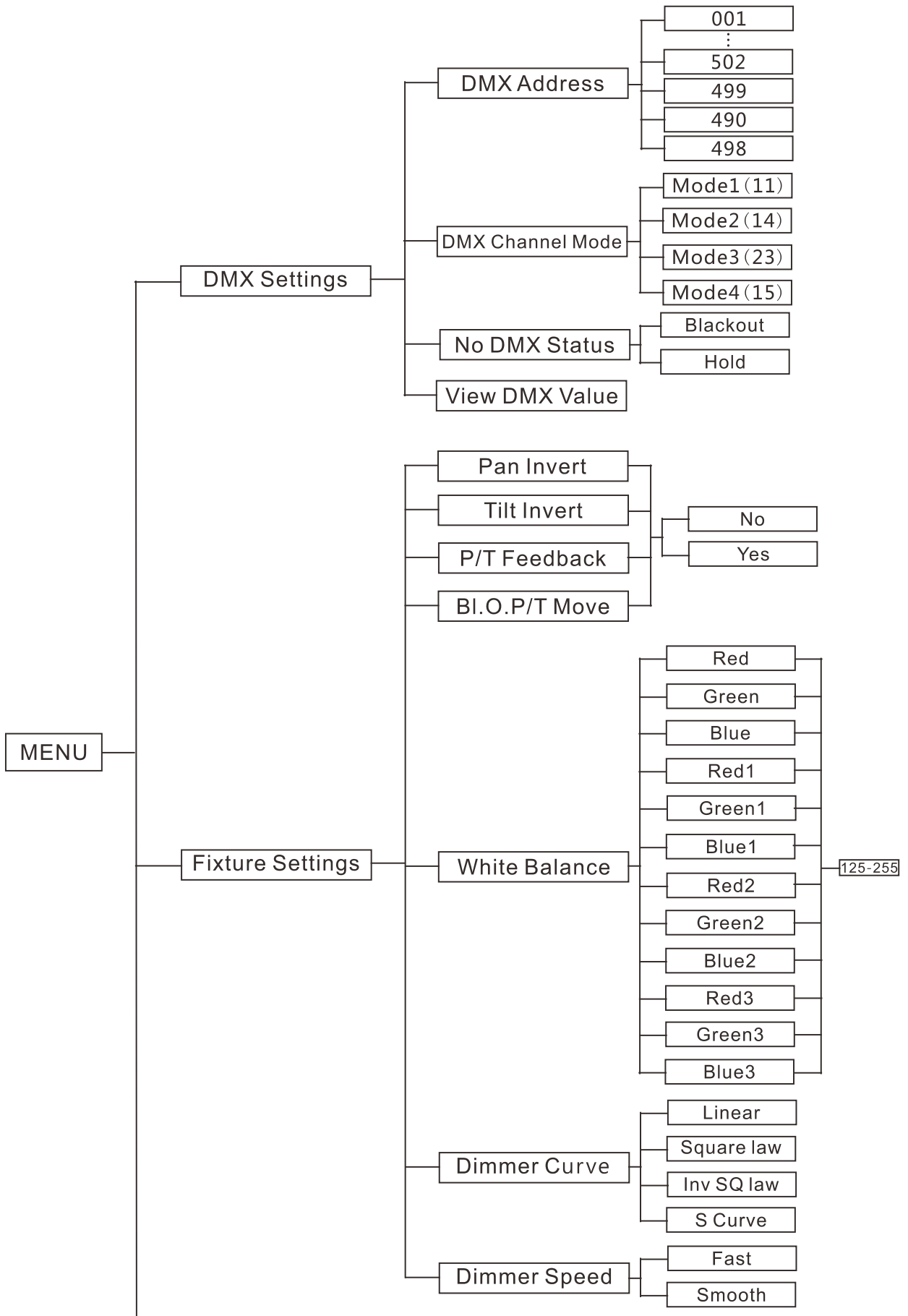
**6. POWER IN:** To connect to supply power

**7. POWER OUT:** To connect to the next fixture

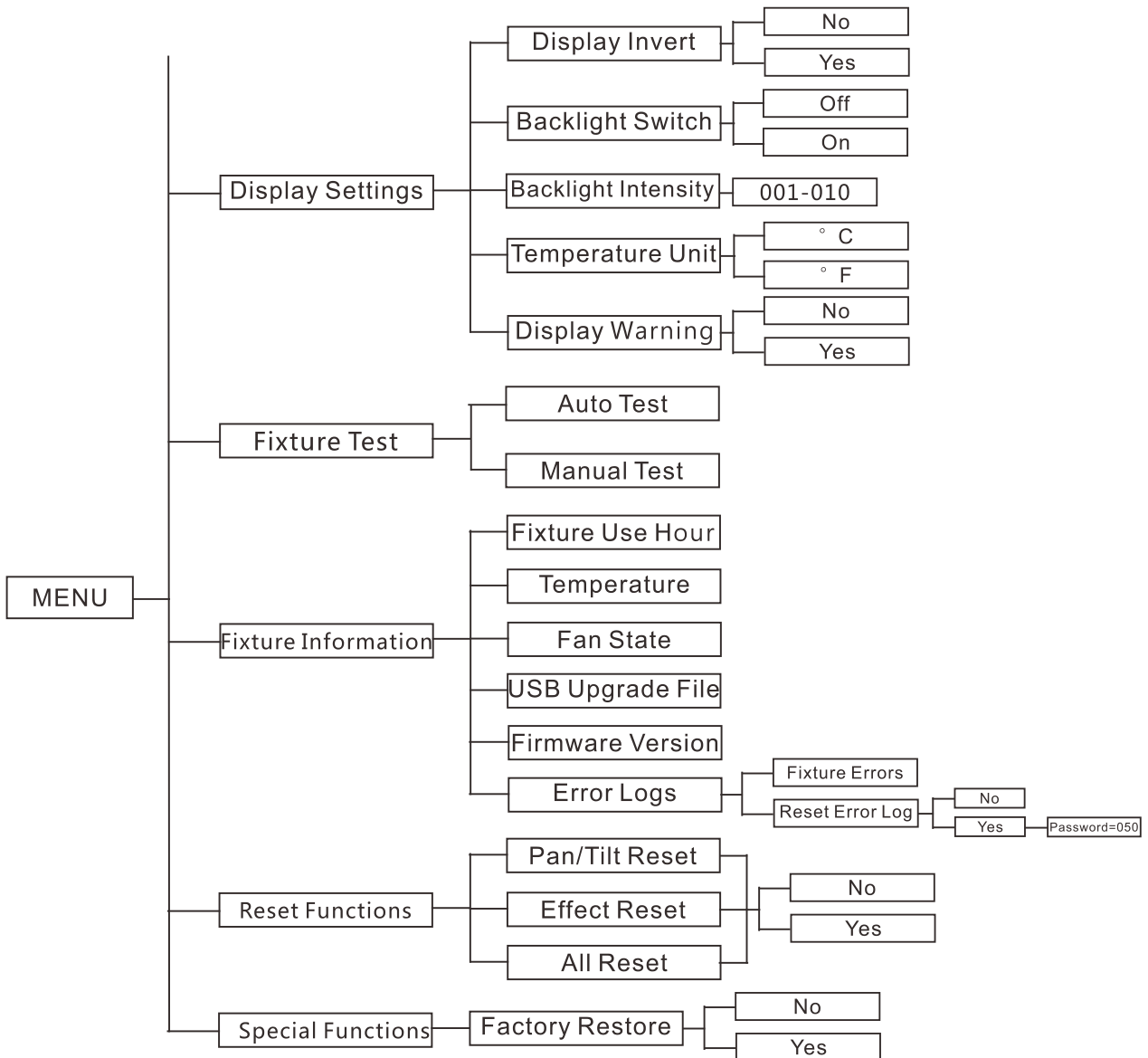
#### 3.2 Main Function

Turn on the unit, press the MENU button into menu mode, and press the UP/DOWN button until the required function is shown on the monitor. Select the function by pressing the ENTER button. Use the UP/DOWN button to choose the submenu, press the ENTER button to store and automatically return to the last menu. Press the MENU button or let the unit idle 30 seconds to exit menu mode.

The main functions are shown below:







## DMX Settings

To select **DMX Settings**, press the **ENTER** button to confirm, use the **UP/DOWN** button to select **DMX Address**, **DMX Channel Mode**, **No DMX Status** or **View DMX Value**.

### DMX Address

To select **DMX Address**, press the **ENTER** button to confirm. Use the **UP/DOWN** button to adjust the address from 001 to 502/499/490/498, press the **ENTER** button to store. Press the **MENU** button back to the last menu or let the unit idle 30 seconds to exit menu mode.

### **DMX Channel Mode**

To select **DMX Channel Mode**, press the **ENTER** button to confirm. Use the **UP/DOWN** button to select **Mode1 (11)**, **Mode2 (14)**, **Mode3 (23)** or **Mode4 (15)**, press the **ENTER** button to store. Press the **MENU** button back to the last menu or let the unit idle 30 seconds to exit menu mode.

### **No DMX Status**

To select **No DMX Status**, press the **ENTER** button to confirm. Use the **UP/DOWN** button to select **Blackout**(fixture blacks out if DMX signal stops) or **Hold**(fixture continues to obey the last command it received Via DMX if DMX signal stops), press the **ENTER** button to store. Press the **MENU** button back to the last menu or let the unit idle 30 seconds to exit menu mode.

### **View DMX Value**

To select **View DMX Value**, press the **ENTER** button to confirm. Use the **UP/DOWN** button to view the DMX channel value. Press the **MENU** button back to the last menu or let the unit idle 30 seconds to exit menu mode.

## ***Fixture Settings***

To select **Fixture Settings**, press the **ENTER** button to confirm, use the **UP/DOWN** button to select **Pan Invert**, **Tile Invert**, **P/T Feedback**, **Bl.O.P/T Move**, **White Balance**, **Dimmer Curve** or **Dimmer Speed**.

### **Pan Invert**

To select **Pan Invert**, press the **ENTER** button to confirm. Use the **UP/DOWN** button to select **No**(normal) or **Yes**(pan invert), press the **ENTER** button to store. Press the **MENU** button back to the last menu or let the unit idle 30 seconds to exit menu mode.

### **Tilt Invert**

To select **Tilt Invert**, press the **ENTER** button to confirm. Use the **UP/DOWN** button to select **No**(normal) or **Yes**(tilt invert), press the **ENTER** button to store. Press the **MENU** button back to the last menu or let the unit idle 30 seconds to exit menu mode.

### **P/T Feedback**

To select **P/T Feedback**, press the **ENTER** button to confirm. Use the **UP/DOWN** button to select **No**(Pan or tilt's position will not feedback while out of step) or **Yes**(Feedback while pan/tilt out of step), press the **ENTER** button to store. Press the **MENU** button back to the last menu or let the unit idle 30 seconds to exit menu mode.

### Bl.o. P/T Move

To select **Bl.o. P/T Move**, press the **ENTER** button to confirm. Use the **UP/DOWN** button to select **No** or **Yes**, press the **ENTER** button to store. Press the **MENU** button back to the last menu or let the unit idle 30 seconds to exit menu mode.

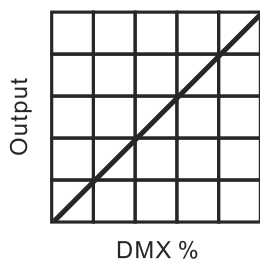
### White Balance

To select **White Balance**, press the **ENTER** button to confirm. Use the **UP/DOWN** button to select **Red, Green, Blue, Red1, Green1, Blue1, Red2, Green2, Blue2, Red3, Green3** or **Blue3**, use the **UP/DOWN** button to adjust backlight intensity from **125** to **255**, press the **ENTER** button to store. Press the **MENU** button back to the last menu or let the unit idle 30 seconds to exit menu mode.

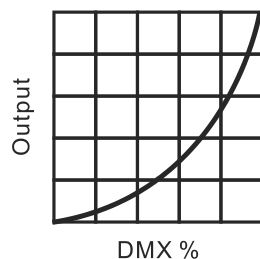
### Dimmer Curve

To select **Dimmer Curve**, press the **ENTER** button to confirm. Use the **DOWN/UP** button to select **Linear, Square law, Inv SQ law** or **S Curve**. Once the mode has been selected, press the **ENTER** button to setup, to go back to the functions without any change press the **MENU** button again. Press and hold the **MENU** button about one second or wait for 30 seconds to exit the menu mode.

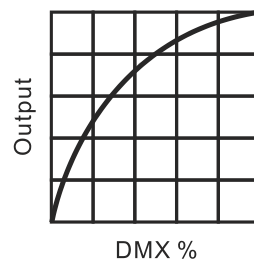
## Dimmer Modes



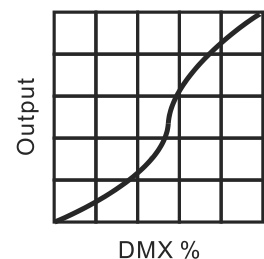
Optically Linear



Square Law



Inverse Square Law



S-curve

**Optically Linear:** The increase in light intensity appears to be linear as DMX value is increased.

**Square Law:** Light intensity control is finer at low levels and coarser at high levels.

**Inverse Square Law:** Light intensity control is coarser at low levels and finer at high levels.

**S-Curve:** Light intensity control is finer at low levels and high levels and coarser at medium levels.

### Dimmer Speed

To select **Dimmer Speed**, press the **ENTER** button to confirm. Use the **UP/DOWN** button to select **Fast** or **Smooth**, press the **ENTER** button to store. Press the **MENU** button back to the last menu or let the unit idle 30 seconds to exit menu mode.

## ***Display Settings***

Enter menu mode, select **Display Settings**, press the **ENTER** button to confirm, use the **UP/DOWN** button to select **Display Invert**, **Backlight Switch**, **Backlight Intensity**, **Temperature Unit** or **Display Warning**.

### **Display Invert**

Select **Display Invert**, press the **ENTER** button to confirm, present mode will blink on the display, use the **UP/DOWN** button to select **No** (normal display) or **Yes** (invert display), press the **ENTER** button to store. Press the **MENU** button back to the last menu or let the unit idle 30 seconds to exit menu mode.

### **Backlight Switch**

Select **Backlight Switch**, press the **ENTER** button to confirm, present mode will blink on the display, use the **UP/DOWN** button to select **Off** or **On**, press the **ENTER** button to store. Press the **MENU** button back to the last menu or let the unit idle 30 seconds to exit menu mode.

### **Backlight Intensity**

Select **Backlight Intensity**, press the **ENTER** button to confirm, present mode will blink on the display, use the **UP/DOWN** button to adjust backlight intensity from **001** (dark) to **010** (bright), press the **ENTER** button to store. Press the **MENU** button back to the last menu or let the unit idle 30 seconds to exit menu mode.

### **Temperature Unit**

Select **Temperature Unit**, press the **ENTER** button to confirm, present mode will blink on the display, use the **UP/DOWN** button to select **°C** or **°F**, press the **ENTER** button to store. Press the **MENU** button back to the last menu or let the unit idle 30 seconds to exit menu mode.

### **Display Warning**

Select **Display Warning**, press the **ENTER** button to confirm, present mode will blink on the display, use the **UP/DOWN** button to select **No** or **Yes**, press the **ENTER** button to store. Press the **MENU** button back to the last menu or let the unit idle 30 seconds to exit menu mode.

## ***Fixture Test***

Enter menu mode, select **Fixture Test**, press the **ENTER** button to confirm, use the **UP/DOWN** button to select **Auto Test** or **Manual Test**.

### **Auto Test**

Select **Auto Test**, press the **ENTER** button to confirm, the unit will run built-in programs to automatically test its functions. Press the **MENU** button back to the last menu or exit menu mode after auto test.

### **Manual Test**

Select **Manual Test**, press the **ENTER** button to confirm, the present channel will show on the display, use the **UP/DOWN** button to select channel Pan, Tilt, P/T Sp., Zoom, Dimmer, Shutter, Red, Green, Blue, Amber and Spe. Func, press the **ENTER** button to confirm, then use the **UP/DOWN** button to adjust the value, press the **ENTER** button to store, the fixture will run as the channel value indicates. Press the **MENU** button back to the last menu or exit menu mode idling 30 seconds.

(All channels value will become 0 after exiting Manual Test menu)

### ***Fixture Information***

Enter menu mode, select **Fixture Information**, press the **ENTER** button to confirm, use the **UP/DOWN** button to select **Fixture Use Hour, Temperature, Fan State, USB Upgrade File, Firmware Version** or **Error Logs**.

#### **Fixture Use Hour**

Select **Fixture Use Hour**, press the **ENTER** button to confirm, fixture use hour will show on the display, press the **MENU** button to exit.

#### **Temperature**

Select **Temperature**, press the **ENTER** button to confirm, fixture temperature will show on the display, press the **MENU** button to exit.

#### **Fan State**

Select **Fan State**, press the **ENTER** button to confirm, fan state will show on the display, press the **MENU** button to exit.

#### **USB Upgrade File**

Select **USB Upgrade File**, press the **ENTER** button to confirm, USB upgrade file will show on the display, press the **MENU** button to exit.

#### **Firmware Version**

Select **Firmware Version**, press the **ENTER** button to confirm, firmware version will show on the display, press the **MENU** button back to exit.

## **Error Logs**

Select **Error Logs**, press the **ENTER** button to confirm. Use the **UP/DOWN** button to select **Fixture Errors** or **Reset Error Log**, press the **ENTER** button to store. Select **Reset Error Log**, press the **ENTER** button to confirm. Use the **UP/DOWN** button to select **No** or **Yes**, press the **ENTER** button to store. Select **Yes**, press the **ENTER** button to confirm. Use the **UP/DOWN** button to set the password **050**, press the **ENTER** button to store. Press the **MENU** button back to the last menu or let the unit idle 30 seconds to exit menu mode.

## **Reset Functions**

Enter menu mode, select **Reset Functions**, press the **ENTER** button to confirm, use the **UP/DOWN** button to select **Pan/Tilt Reset**, **Effect Reset** or **All Reset**.

### **Pan/Tilt Reset**

Select **Pan/Tilt Reset**, press the **ENTER** button to confirm, use the **UP/DOWN** button to select **No**(normal) or **Yes**(the unit will run built-in program to reset pan and tilt to their home positions), press the **ENTER** button to store. Press the **MENU** button to exit.

### **Effect Reset**

Select **Effect**, press the **ENTER** button to confirm, use the **UP/DOWN** button to select **No** or **Yes**(the unit will run built-in program to reset effect to their home positions), press the **ENTER** button to store. Press the **MENU** button to exit.

### **All Reset**

Select **All**, press the **ENTER** button to confirm, use the **UP/DOWN** button to select **No** or **Yes**(the unit will run built-in program to reset all motors to their home positions), press **ENTER** button to store. Press the **MENU** button to exit.

## **Special Functions**

### **Factory Restore**

Select **Factory Restore**, press the **ENTER** button to confirm, use the **UP/DOWN** button to select **No**(normal) or **Yes**(the fixture will reset to factory settings), press **ENTER** button to store. Press the **MENU** button to exit.

## ***RDM FUNCTIONS***

Select the MANUFACTURER menu to display the manufacturer of the fixture.

Select the SOFTWARE VERSION menu and the program version number of the fixture will be displayed.

Select the DMX START ADDRESS menu to change the DMX 512 address (001-512).

Select the DEVICE MODEL DESCRIPTION menu to display the model of the fixture.

Select the DEVICE LABEL menu to change the model of the fixture.

Select the DMX PERSONALITY menu to set the channel mode of the fixture (11/14/23/15 channel).

Select the DMX PERSONALITY DESCRIPTION menu to display the current channel mode of the fixture.

Select the DEVICE HOURS menu to display the running time of the fixture.

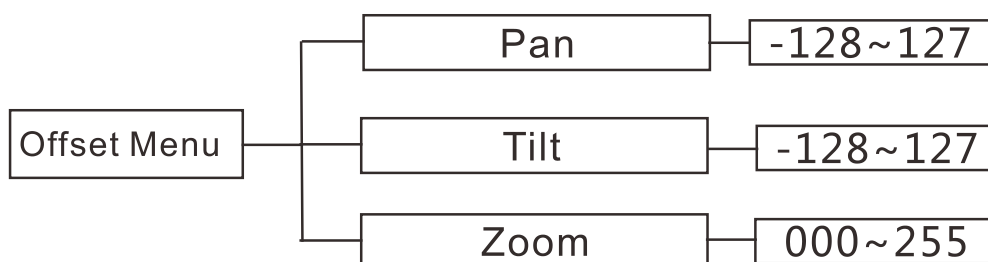
Select the PAN INVERT menu and the fixture will run the pan invert mode.

Select the TILT INVERT menu and the fixture will run the tilt invert mode.

Select the RESET DEVICE menu, the WARM RESET/COLD RESET option will be displayed. When WARM RESET is selected, the fixture will start a warm reset, and exit when COLD RESET is selected.

### 3.3 Home Position Adjustment

Press the MENU button into menu mode, then press the ENTER button for about 3 seconds into offset mode to adjust the home position. Select the function by pressing the ENTER button. Use the UP/DOWN button to choose the submenu, press the ENTER button to store and automatically return to the last menu. Press MENU button to exit.



#### Pan

Enter offset mode, Select **Pan**, press the **ENTER** button to confirm, the present position will blink on the display, use the **UP/DOWN** button to offset the value from -128 to 127, press the **ENTER** button to store. Press the **MENU** button to exit.

#### Tilt

Enter offset mode, Select **Tilt**, press the **ENTER** button to confirm, the present position will blink on the display, use the **UP/DOWN** button to offset the value from -128 to 127, press the **ENTER** button to store. Press the **MENU** button to exit.

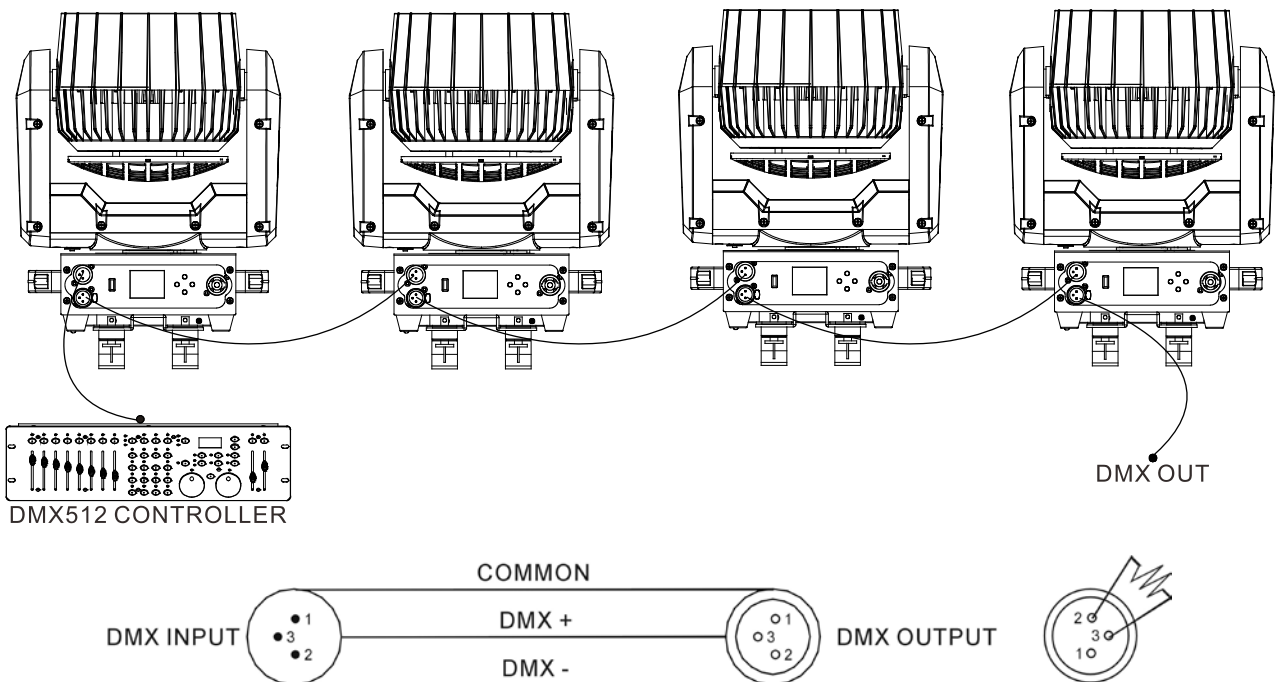
#### Zoom

Enter offset mode, Select **Zoom**, press the **ENTER** button to confirm, the present position will blink on the display, use the **UP/DOWN** button to offset the value from 0 to 255, press the **ENTER** button to store. Press the **MENU** button to exit.



## 4. Control By Universal DMX Controller

### 4.1 DMX512 Connection



1. At last unit, the DMX cable has to be terminated with a terminator. Solder a 120-ohm 1/4W resistor between pin 2(DMX-) and pin 3(DMX+) into a 3-pin XLR-plug and plug it in the DMX-output of the last unit.
2. Connect the unit together in a “daisy chain” by XLR plug cable from the output of the unit to the input of the next unit. The cable can only be used in series and cannot be connected in parallel. DMX 512 is a very high-speed signal. Inadequate or damaged cables, soldered joints or corroded connectors can easily distort the signal and shut down the system.
3. The DMX output and input connectors are pass-through to maintain the DMX circuit, when one of the units’ power is disconnected.
4. Each lighting unit needs to have a DMX address to receive the data by the controller. The address number is between 1-512.
5. The end of the DMX 512 system should be terminated to reduce signal errors.
6. 3 pin XLR connectors are more popular than 5 pins XLR.  
3 pin XLR: Pin 1: GND, Pin 2: Negative signal (-), Pin 3: Positive signal (+)  
5 pin XLR: Pin 1: GND, Pin 2: Negative signal (-), Pin 3: Positive signal (+), Pin4, Pin5 not used.

## 4.2 Address Setting

If you use a universal DMX controller to control the units, you have to set DMX address from 1 to 512 so that the units can receive DMX signal.

Press the MENU button to enter menu mode, select DMX Settings, press the ENTER button to confirm, use the UP/DOWN button to select DMX Address, press the ENTER button to confirm, the present address will blink in the display, use the UP/DOWN button to adjust the address from 001 to 512, press the ENTER button to store. Press the MENU button back to the last menu or let the unit idle 30 seconds to exit menu mode.

Please refer to the following diagram to address your DMX512 channel for the first 4 units.

Channel mode	Unit 1 Address	Unit 2 Address	Unit 3 Address	Unit 4 Address
11 channels	1	12	23	34
14 channels	1	15	29	43
23 channels	1	24	47	70
15 channels	1	16	31	46

## 4.3 DMX512 Configuration

Please control the fixture by referring to the configurations below

### Attentions:

1. The unit will maintain the last condition until reset if you cut-off the DMX signal.
2. For the channel Function, keep the value for about 3 seconds, then the corresponding function will take into effect.

### 11 Channels (Mode 1):

CHANNEL	VALUE	FUNCTION
1	000-255	PAN 0°→540°
2	000-255	TILT 0°→280°
3	000-255	P/T SPEED Fast to Slow
4		Zoom

	000-255	0%→100%
5	000-255	<b>Dimmer</b> 0%→100%
6	000-015 016-131 132-139 140-181 182-189 190-231 232-239 240-247 248-255	<b>Shutter</b> Open Strobe effect, slow to fast Open Fast open slow close, slow to fast Open Fast close slow open, slow to fast Open Random strobe effect, slow to fast Open
7	000-255	<b>Red</b> 0%→100%
8	000-255	<b>Green</b> 0%→100%
9	000-255	<b>Blue</b> 0%→100%
10	000-255	<b>Amber</b> 0%→100%
11	000-139 140-149 150-169 170-179 180-199 200-209 210-255	<b>SPECIAL FUNCTION</b> No Function Pan/Tilt Reset No Function Effect Reset No Function Reset All No Function

**14 Channels (Mode 2):**

CHANNEL	VALUE	FUNCTION
1	000-255	<b>PAN</b> 0°→540°
2	000-255	<b>PAN Fine</b>
3	000-255	<b>TILT</b> 0°→280°
4	000-255	<b>TILT Fine</b>
5	000-255	<b>P/T SPEED</b> Fast to Slow

<b>6</b>	000-255	<b>Zoom</b> 0%→100%
<b>7</b>	000-255	<b>Dimmer</b> 0%→100%
<b>8</b>	000-255	<b>Dimmer Fine</b>
<b>9</b>	000-015 016-131 132-139 140-181 182-189 190-231 232-239 240-247 248-255	<b>Shutter</b> Open Strobe effect, slow to fast Open Fast open slow close, slow to fast Open Fast close slow open, slow to fast Open Random strobe effect, slow to fast Open
<b>10</b>	000-255	<b>Red</b> 0%→100%
<b>11</b>	000-255	<b>Green</b> 0%→100%
<b>12</b>	000-255	<b>Blue</b> 0%→100%
<b>13</b>	000-255	<b>Amber</b> 0%→100%
<b>14</b>	000-139 140-149 150-169 170-179 180-199 200-209 210-255	<b>SPECIAL FUNCTION</b> No Function Pan/Tilt Reset No Function Effect Reset No Function Reset All No Function

**23 Channels (Mode 3):**

<b>CHANNEL</b>	<b>VALUE</b>	<b>FUNCTION</b>
<b>1</b>	000-255	<b>PAN</b> 0°→540°
<b>2</b>	000-255	<b>PAN Fine</b>
<b>3</b>	000-255	<b>TILT</b> 0°→280°
<b>4</b>	000-255	<b>TILT Fine</b>

5	000-255	<b>P/T SPEED</b> Fast to Slow
6	000-255	<b>Zoom</b> 0%→100%
7	000-255	<b>Zoom Fine</b>
8	000-255	<b>Dimmer</b> 0%→100%
9	000-255	<b>Dimmer Fine</b>
10	000-015 016-131 132-139 140-181 182-189 190-231 232-239 240-247 248-255	<b>Shutter</b> Open Strobe effect, slow to fast Open Fast open slow close, slow to fast Open Fast close slow open, slow to fast Open Random strobe effect, slow to fast Open
11	000-255	<b>Red</b> 0%→100%
12	000-255	<b>Green</b> 0%→100%
13	000-255	<b>Blue</b> 0%→100%
14	000-255	<b>Amber</b> 0%→100%
15	000-255	<b>Red2</b> 0%→100%
16	000-255	<b>Green2</b> 0%→100%
17	000-255	<b>Blue2</b> 0%→100%
18	000-255	<b>Amber2</b> 0%→100%
19	000-255	<b>Red3</b> 0%→100%
20	000-255	<b>Green3</b> 0%→100%
21	000-255	<b>Blue3</b> 0%→100%
22	000-255	<b>Amber3</b> 0%→100%
23		<b>SPECIAL FUNCTION</b>

	000-139	No Function
	140-149	Pan/Tilt Reset
	150-169	No Function
	170-179	Effect Reset
	180-199	No Function
	200-209	Reset All
	210-255	No Function

**15 Channels (Mode 4):**

CHANNEL	VALUE	FUNCTION
1	000-255	<b>PAN</b> 0°→540°
2	000-255	<b>PAN Fine</b>
3	000-255	<b>TILT</b> 0°→280°
4	000-255	<b>TILT Fine</b>
5	000-255	<b>P/T SPEED</b> Fast to Slow
6	000-255	<b>Zoom</b> 0%→100%
7	000-255	<b>Dimmer</b> 0%→100%
8	000-255	<b>Dimmer Fine</b>
9	000-015 016-131 132-139 140-181 182-189 190-231 232-239 240-247 248-255	<b>Shutter</b> Open Strobe effect, slow to fast Open Fast open slow close, slow to fast Open Fast close slow open, slow to fast Open Random strobe effect, slow to fast Open
10	000-255	<b>Red</b> 0%→100%
11	000-255	<b>Green</b> 0%→100%
12	000-255	<b>Blue</b> 0%→100%
13	000-255	<b>Amber</b> 0%→100%

		Linear CTO(8000K-2500K)
	000	Null
	001-004	8000K
	005-009	7900K
	010-013	7800K
	014-018	7700K
	019-022	7600K
	023-027	7500K
	028-031	7400K
	032-036	7300K
	037-040	7200K
	041-045	7100K
	046-049	7000K
	050-054	6900K
	055-058	6800K
	059-063	6700K
	064-067	6600K
	068-072	6500K
	073-076	6400K
	077-081	6300K
	082-085	6200K
	086-090	6100K
	091-094	6000K
14	095-099	5900K
	100-103	5800K
	104-108	5700K
	109-112	5600K
	113-117	5500K
	118-121	5400K
	122-126	5300K
	127-130	5200K
	131-135	5100K
	136-139	5000K
	140-144	4900K
	145-148	4800K
	149-153	4700K
	154-157	4600K
	158-162	4500K
	163-166	4400K
	167-171	4300K
	172-175	4200K
	176-180	4100K
	181-184	4000K
	185-189	3900K
	190-193	3800K
	194-198	3700K
	199-202	3600K

	203-207 208-211 212-216 217-220 221-225 226-229 230-234 235-238 239-243 244-247 248-255	3500K 3400K 3300K 3200K 3100K 3000K 2900K 2800K 2700K 2600K 2500K
15	000-139 140-149 150-169 170-179 180-199 200-209 210-255	<b>SPECIAL FUNCTION</b> No Function Pan/Tilt Reset No Function Effect Reset No Function Reset All No Function

## 5. Error Information

Error codes are shown continuously in the display when the fixture fails and they will not disappear until the fixture is repaired.

### 1. Pan Reset Error

Check whether the position of the pan where the magnet is installed falls off or is damaged.

Check whether there are obstacles in the pan operating range.

Check whether the Hall element on the pan is damaged.

Check whether the lead connecting the Hall element on the pan and the PCB board is in poor contact or disconnected.

Check whether the motor on the pan is damaged.

Check whether the related circuit of the motor drive board on the pan is damage.

### 2. Pan Encode Error

Check whether the encoder on the pan is damaged.

Check whether the lead connecting the encoder on the pan and the PCB board is in poor contact or disconnected.



### **3. Tilt Reset Error**

Check whether the position of the tilt where the magnet is installed falls off or is damaged.

Check whether there are obstacles in the tilt operating range.

Check whether the Hall element on the tilt is damaged.

Check whether the lead connecting the Hall element on the tilt and the PCB board is in poor contact or disconnected.

Check whether the motor on the tilt is damaged.

Check whether the related circuit of the motor drive board on the tilt is damaged.

### **4. Tilt Encode Error**

Check whether the encoder on the tilt is damaged.

Check whether the lead connecting the encoder on the tilt and the PCB board is in poor contact or disconnected.

### **5. BaseFan cannot start**

Check whether the fan is not running.

Check whether the fan leads are installed in place or disconnected.

Check whether the fan is damaged.

Check whether there are obstacles in the fan operating range.

### **6. BaseFan cannot stop**

Check whether the fan circuit on the motherboard breaks down.

Check whether the component is damaged.

### **7. BaseFan speed too fast**

Check whether the fan is out of order.

Check whether the fan circuit on the motherboard breaks down.

### **8. BaseFan speed too slow**

Check whether the fan is out of order.

Check whether there are obstacles in the fan operating range.

### **9. LEDFan cannot start**

Check whether the fan is not running.

Check whether the fan leads are installed in place or disconnected.

Check whether the fan is damaged.

Check whether there are obstacles in the fan operating range.

**10. LEDFan cannot stop**

Check whether the fan circuit on the motherboard breaks down.

Check whether the component is damaged.

**11. LEDFan speed too fast**

Check whether the fan is out of order.

Check whether the fan circuit on the motherboard breaks down.

**12. LEDFan speed too slow**

Check whether the fan is out of order.

Check whether there are obstacles in the fan operating range.

**13. LED Temp. Error**

Check whether the temperature detecting board is normal.

Check whether the components of the temperature detecting board are damaged.

Check whether the lead on the temperature detecting board is installed in place or disconnected.

**14. Zoom Reset Error**

Check whether the position of the zoom where the magnet is installed falls off or is damaged.

Check whether there are obstacles in the zoom operating range.

Check whether the Hall element on the zoom is damaged.

Check whether the lead connecting the Hall element on the zoom and the PCB board is in poor contact or disconnected.

Check whether the motor on the zoom is damaged.

Check whether the related circuit of the motor drive board on the zoom is damage.

## **6. Troubleshooting**

Following are a few common problems that may occur during operation. Here are some suggestions for troubleshooting:

### **A. The unit does not work, no light and the fan does not work**

1. Check the connected power.
2. Measure the voltage.
3. Check the power indicator to see whether it can be lit up or not.

### **B. Not responding to the DMX controller**

1. Check whether the DMX connectors and the DMX cables are connected correctly.
2. Check whether the DMX address is correctly set.
3. If the intermittent DMX signal problem occurs, check whether the XLR socket and the signal cable are well connected.
4. Try it with another DMX controller.
5. Check whether the DMX cables run near or alongside to the high-voltage cables, which may damage or interfere with the signal circuit.

### **C. One of the channels is not working well**

1. The stepper motor might be damaged or the cable connected to the PCB might be broken.
2. The motor's drive IC on the PCB might be out of condition.

## **7. Fixture Cleaning**

It is absolutely essential that the fixture is kept clean to ensure the maximum light-output and allow the fixture to function reliably throughout its life. The fixture must be cleaned regularly to avoid dust, dirt and smoke-fluid residues building up on or within the fixture. The cleaning frequency depends on the application environment. Clean the fixture immediately if the dust enters it to avoid damage to the optical lens due to excessive dust.

- A soft lint-free cloth moistened with any good glass cleaning fluid is recommended, under no circumstances should solvents be used.
- Always dry the parts carefully.
- Clean the external optical lens at least every 20 days.

## **Declaration of Conformity**

We declare that our products (lighting equipments) comply with the following specification and bears CE mark in accordance with the provision of the Electromagnetic Compatibility (EMC) Directive 2014/30/EU.

EN 55032: 2015; EN 61000-3-2: 2014;  
EN 61000-3-3: 2013; EN 55035: 2017.

**&**

## **Harmonized Standard**

EN 60598-1: 2015+A1: 2018; EN 60598-2-17: 2018;  
EN 62493: 2015.

Safety of household and similar electrical appliances  
Part 1: General requirements

**Innovation, Quality, Performance**