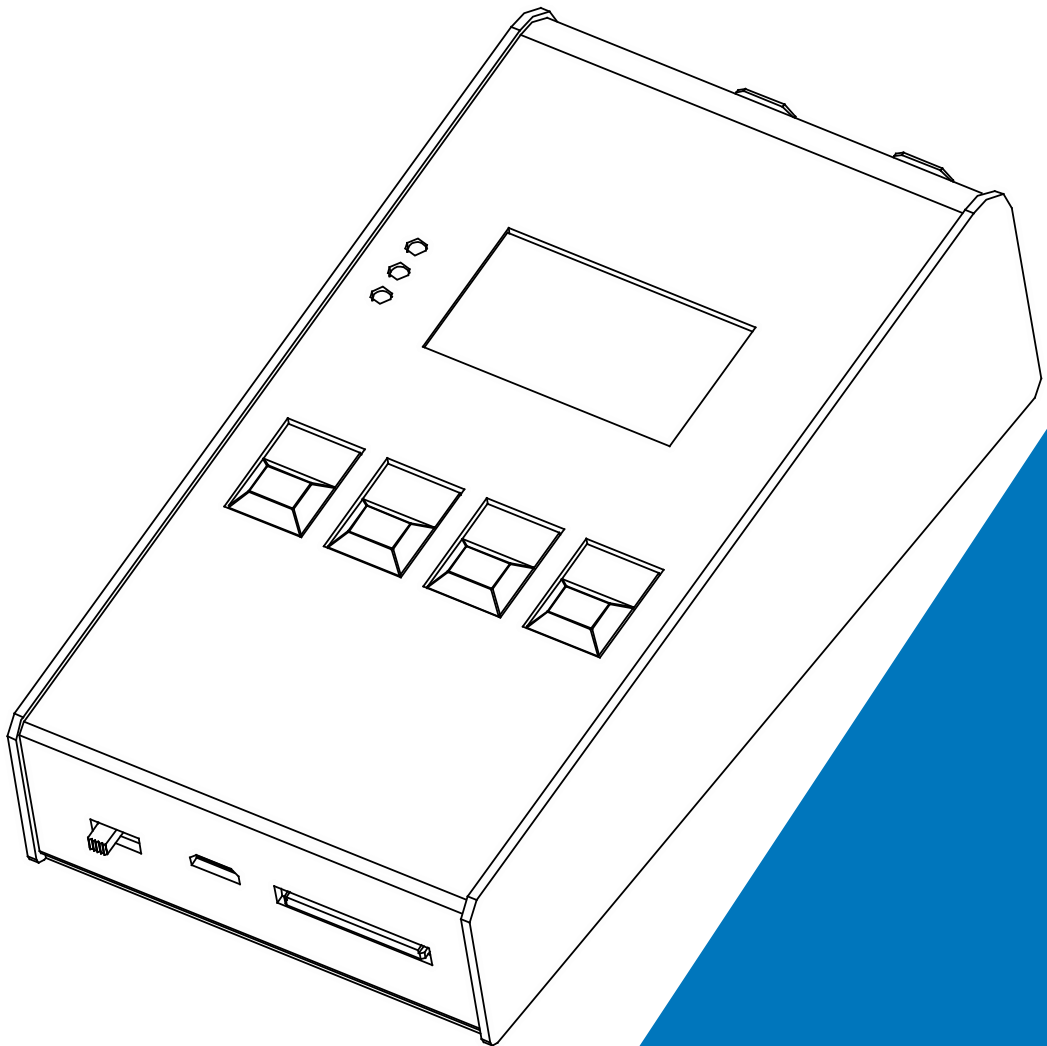




# Uploader II



## User Manual

Please read the instruction carefully before use

## CONTENTS

1. Safety Instructions .....	2
2. Technical Specifications .....	2
3. Control Panel .....	3
4. How to Use the Fixture .....	4
4.1 Upload .....	4
4.2 Upgrade via an SD Card .....	4
4.3 DMX Test.....	6
4.4 DMX View .....	7
4.5 Normal Upgrade.....	8
4.6 Lock Upgrade .....	9

## 1. Safety Instructions



Please read the instructions carefully which includes important information about the installation, operation and maintenance.

### WARNING

- Unpack and check carefully there is no transportation damage before using the unit.
- Before operating, ensure that the voltage and frequency of power supply match the power requirements of the unit.
- The unit is for indoor use only. Use only in a dry location.
- Make sure there are no flammable materials close to the unit while operating as it is fire hazard.
- There are no user serviceable parts inside the unit. Do not open the housing or attempt any repairs by yourself. In the unlikely event your unit may require service, please contact your nearest dealer.

## 2. Technical Specifications

### Power Voltage:

100-240V~ 50/60Hz

### Power Consumption:

12.2W

### Construction:

Display: LCD display

Battery Category: NI-MH battery

Battery capacity: 2000mAh

Accessories: Adapter/SD card

### Features:

Universal DMX512 control adaptable

Easily upgrade the software via IU-02 to the fixture, no need to change chips

3-pin & 5-pin XLR connecting to the fixture and USB connector

Please log in [www.acme.com.cn](http://www.acme.com.cn) to download the latest software

**Charging Time to Full Hour:**

3.5-4 hours

**Working Hour:**

6.5-8 hours

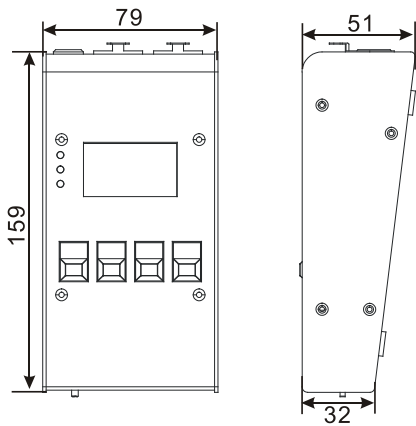
**Temperature of Charging Time:**

0~45 °C

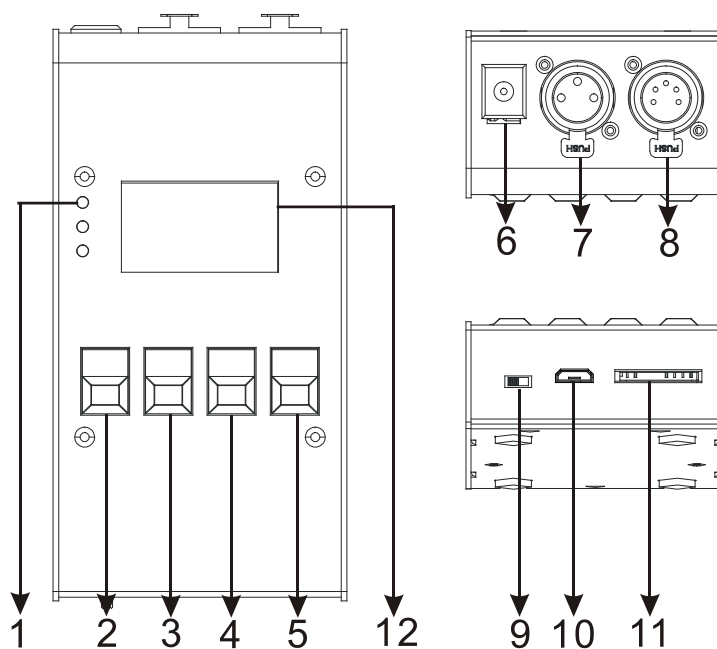
**Dimension/Weight:**

79x51x159 mm, 0.6kgs

3.1"x2.0"x6.3" in, 1.3lbs



**3. Control Panel**



**1. LED:**

<b>DMX</b>	On	DMX input present
<b>Power(FULL)</b>	On	Full power
<b>Power(LOW)</b>	On	Low power

**Buttons:**

<b>2.MENU</b>	To select the programming functions
<b>3.▼ DOWN</b>	To go forward in the selected functions
<b>4.▲ UP</b>	To go backward in the selected functions
<b>5.ENTER</b>	To confirm the selected functions

**6. POWER IN (DC 9-12V):** To connects to supply power

**7. DMX OUT:** For DMX512 link, use 3-pin XLR cable to link the next unit and output DMX signal

**8. DMX OUT:** For DMX512 link, use 5-pin XLR cable to link the next unit and output DMX signal

**9. POWER SWITCH:** Turns on/off the power

**10. USB:** No Function at the moment. Reserve for upgrade the software.

**11. SD Card Slot:** Insert the SD Card to upgrade the software

**12. Display:** To show the various menus and the selected functions

## **4. How to Use the Fixture**

### **4.1 Upload**

1. Put ACME software file with new version into the root directory of the SD card and rename the file as **upgrader.yfu**.
2. Insert the SD card into the SD card slot of the Upgrader.
3. Turn on the power of the Upgrader and it will upgrade the self-software automatically.

### **4.2 Upgrade via an SD Card**

Please upgrade the software by following the steps below:

1. Download ACME software from our website, insert the SD card into the computer and create a new folder named "Firmware" in the SD card, then put ACME software file in this folder.

2. Power off the Uploader before inserting the SD card. Insert the SD card into the SD card slot of the Upgrader and turn on the power switch, **UPGRADER** will be shown on the display (Figure 1).

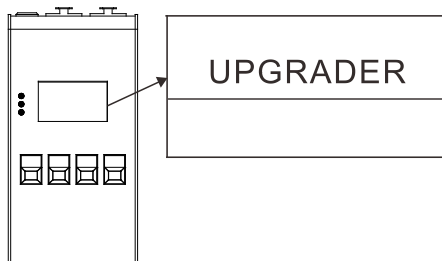


Figure 1

3. Press the **MENU** button and the menu will be shown on the display (Figure 2), use the **UP** and **DOWN** button to select the **Firmware Upgrade**. Press the **ENTER** button to confirm.

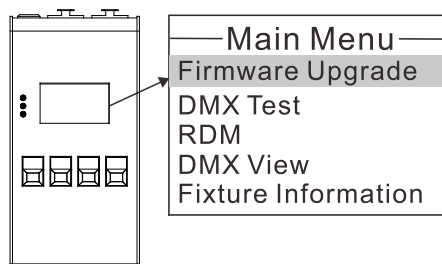


Figure 2

4. The name of the software file will be shown on the display (Figure 3), use the **UP** and **DOWN** button to select the software file and press the **ENTER** button to confirm.

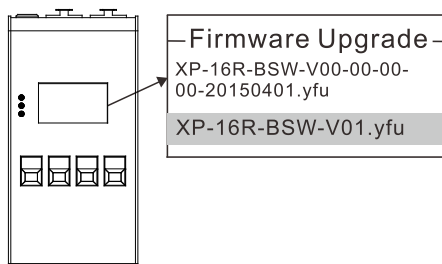


Figure 3

5. As shown in Figure 4 and Figure 5, when the upgrade process is displayed to 100%, it means that the luminaire has completed the upgrade process.

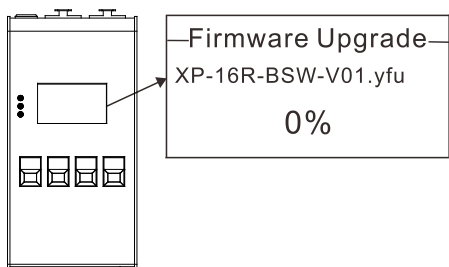


Figure 4

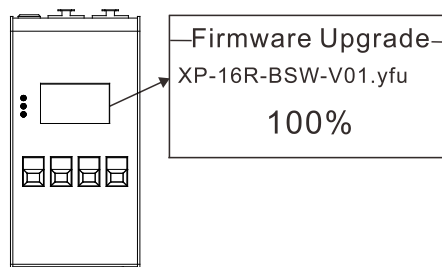


Figure 5

### 4.3 DMX Test

1. Connect the unit to the fixture, switch on the unit (Figure 1).

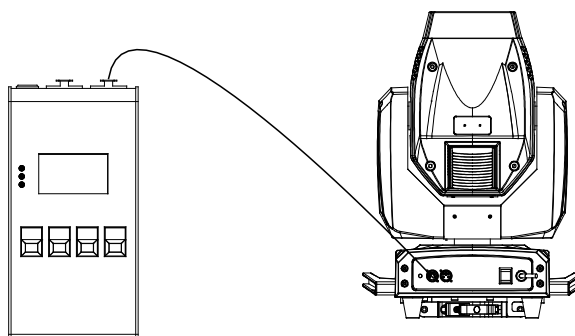


Figure 1

2. Press the **MENU** button and the **Main Menu** will be shown on the display (Figure 2), use the **UP** and **DOWN** button to select the **DMX Test**. Press the **ENTER** button to confirm.

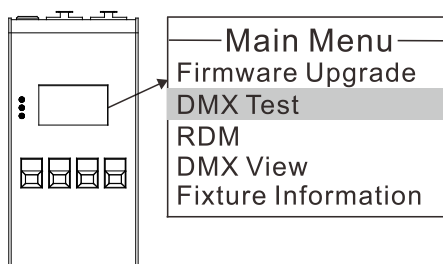


Figure 2

3. **Manual Test** will be shown on the display (Figure 3), use the **UP** and **DOWN** button to select the 001-512 channel and press the **ENTER** button to confirm. (Select **Clear**, use the **UP** and **DOWN** button to select **Yes**, press the **ENTER** button to clear all the channel values.)

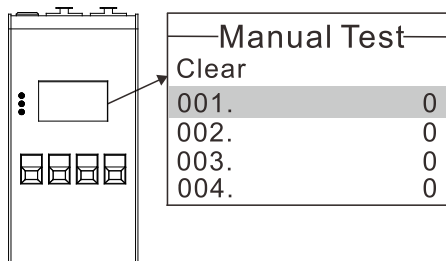


Figure 3

## 4.4 DMX View

1. Connect the unit to the fixture, switch on the unit (Figure 1).

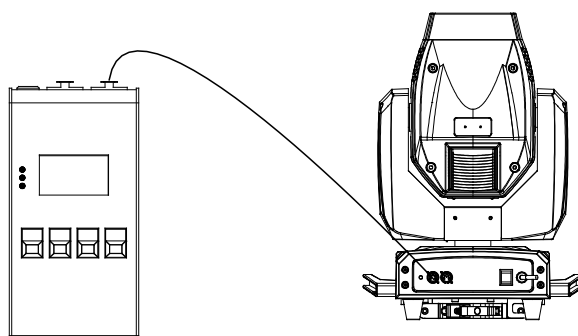


Figure 1

2. Press the **MENU** button and the **Main Menu** will be shown on the display (Figure 2), use the **UP** and **DOWN** button to select the **DMX View**. Press the **ENTER** button to confirm.

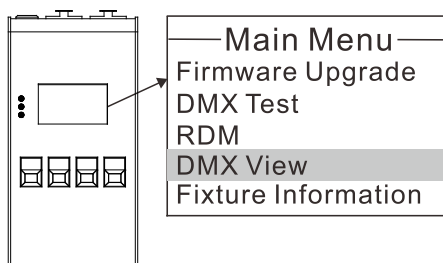


Figure 2



- The current mode will be shown on the display (Figure 3), Press the **ENTER** button to view the DMX channel value (Figure 4).

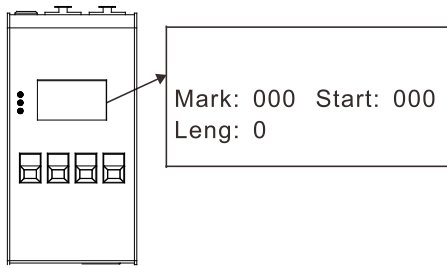


Figure 3

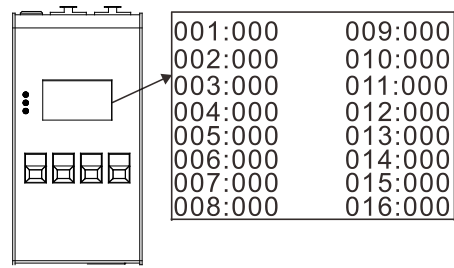


Figure 4

## 4.5 Normal Upgrade

This mode is used for "one-to-one" or "one-to-many" upgrade

- Link the fixture and the Uploader with 3-pin or 5-pin DMX cable, turn on the power of the fixture and Uploader.
- Switch on the Uploader, enter menu mode, use the **UP/DOWN** button to select "**Firmware Upgrade**", press the **ENTER** button to confirm.
- The Uploader will automatically search for the software file stored in the SD card, use the **UP/DOWN** button to select the software file, press the **ENTER** button to confirm.

Note: Please select the correct software file and its version according to the fixture model, the upgrade process can only be done when the software file is correctly selected.

- Use the **UP/DOWN** button to set the upgrade speed (Fast / Slow), press the **ENTER** button to confirm and the Uploader will start to upgrade the software.

Note: Normally, Fast speed will be selected to upgrade the software. When repeated failures occurred, please change to Slow speed.

- When the upgrade process is displayed to 100%, it means that the luminaire has completed the upgrade process.

## 4.6 Lock Upgrade

This mode is used for "one to one" upgrade when the upgrade process is failed for many times.

1. Link the fixture and the Uploader with 3-pin or 5-pin DMX cable.
2. Switch on the Uploader, enter menu mode, use the **UP/DOWN** button to select " **Firmware Upgrade** ", press the **ENTER** button to confirm.
3. The Uploader will automatically search for the software file stored in the SD card, use the **UP/DOWN** button to select the software file, press the **ENTER** button to confirm.

Note: Please select the correct software file and its version according to the fixture model, the upgrade process can only be done when the software file is correctly selected.

4. Use the **UP/DOWN** button to set the upgrade speed (Fast / Slow).
5. Turn on the power of the luminaire.
6. Press the **ENTER** button to confirm, the Uploader will start to upgrade the software.

Note: Normally, Fast speed will be selected to upgrade the software. When repeated failures occurred, please change to Slow speed.

7. When the upgrade process is displayed to 100%, it means that the luminaire has completed the upgrade process.



**Innovation, Quality, Performance**