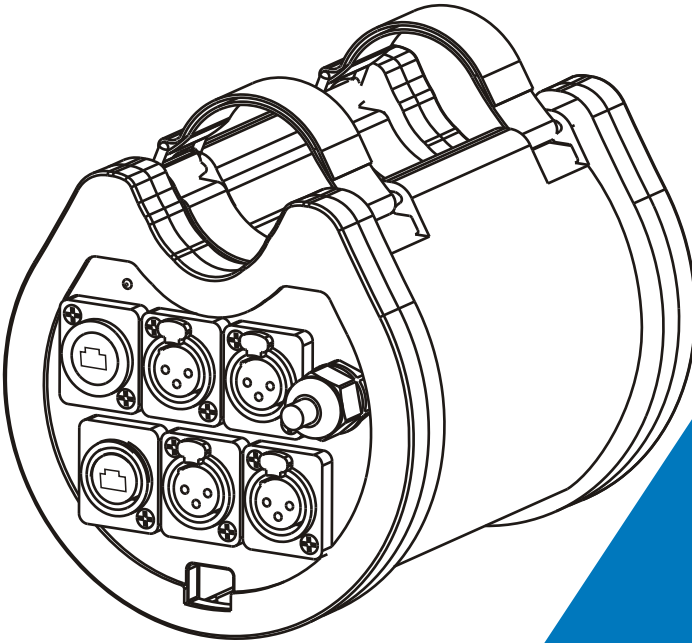




TrussHub U

CA-AN04T



User Manual

Please read the instruction carefully before use

CONTENTS

1. Safety Instructions	2
2. Features.....	4
3. Overview.....	5
3.1 Front/ Rear View	5
4. Operation Guide	6
4.1 Startup View.....	6
4.2 Main menu.....	7
4.2.1 Rename Device	7
4.2.2 Set IP Address.....	8
4.2.3 Set Netmask.....	8
4.2.4 Set DMX port	8
4.2.5 Set ID NO.....	12
4.2.6 Set LCD Backlight.....	12
4.2.7 User Preset	12
4.2.8 Version.....	14
5. Application Diagram	15

1. Safety Instructions



WARNING

Please read the instruction carefully which includes important information about the installation, usage and maintenance.

- Please keep this User Manual for future consultation. If you sell the fixture to another user, be sure that they also receive this instruction booklet.
- Please unpack and check carefully there is no transportation damage before using the fixture.
- Please disconnect main power before servicing and maintenance.
- The unit must be installed in a location with adequate ventilation, at least 50cm from adjacent surfaces. Be sure that no ventilation slots are blocked.
- The ambient temperature is $T_a: 0^{\circ}\text{C} - 40^{\circ}\text{C}$. DO NOT operate it where above or below the range of temperature.
- DO NOT connect the device to any dimmer pack.
- The housing must be replaced if they are visibly damaged.
- Unit surface temperature may reach up to 85°C . Don't touch the housing bare-hand during its operation. Turn off the power and allow about 15 minutes for the unit to cool down before replacing or serving.
- There are no user serviceable parts inside the fixture. Do not open the housing or attempt any repairs by yourself. In the unlikely event your fixture may require service, please contact your nearest dealer.
- In the event of serious operating problem, stop using the fixture immediately. Never try to repair the fixture by yourself. Repairs carried out by unskilled people can lead to damage or

malfunction. Please contact the nearest authorized technical assistance center. Always use the same type spare parts.

- **Installation:**

- The unit is fully operational in three different mounting positions, hanging upside-down from a ceiling or set on a flat level surface. To avoid internal damage to the unit, never mount the unit on its side as illustrated above. Be sure this fixture is kept at least 0.5m away from any flammable materials (decoration etc.). Always use and install the supplied safety cable as a safety measure to prevent accidental damage and/or injury in the event the clamp fails.

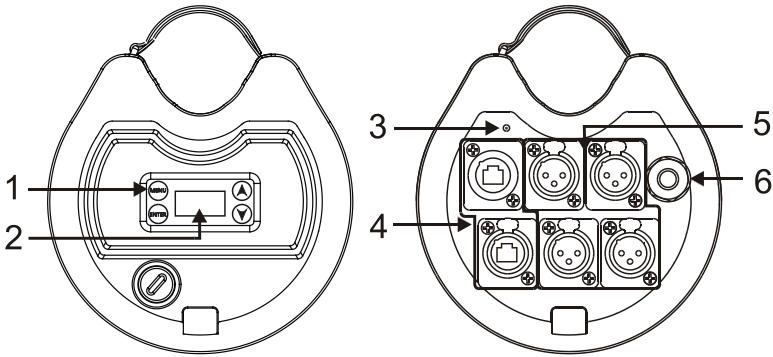
2. Features

- RJ45 Ethernet (LAN) connector, 10/100M self-adaption, support TCP/IP protocol
- Support standard DMX/RDM and ArtNet protocol
- Support ArtNet \longleftrightarrow DMX/RDM signal bilateral conversion
- DMX input/output can be set as able/disabled
- Each DMX output can be set as single, zero, HTP, LTP , RDM mode
- Each DMX input can be set as normal / backup mode
- Can be acted as DMX/RDM splitter
- IP address can be set manually
- OLED display indicates each DMX port status
- Online updates software
- 4 DMX output. All the input /output with optoelectronic isolation
- Input is electrically isolated from output and output to withstand voltage :
 - > 2000V

NOTE: Some basic knowledge of DMX is required to fully utilize this unit.

3. Overview

3.1 Front/ Rear View



1. Button:

MENU	To enter into move backward or leave the menu
▲ UP	To go backward to move up in the menu
▼ DOWN	To go to move down in the menu
ENTER	To perform the desired functions

2. OLED Display:

Display the present status and the available option.

3. LED indicator:

To show the power/signal status of the unit.

4. Ethernet RJ45 connector:

Connect with network cable

5. D MX port 1-4:

Connect with network cable.

6. Power In:

To connect to the mains supply

4. Operation Guide

4.1 Startup View

Port Status					
A	B	1	2	3	4
×	×	×	×	×	×

Device ID
ID:001

Device Name
ArtNet To DMX

IP Address
10.10.10.2

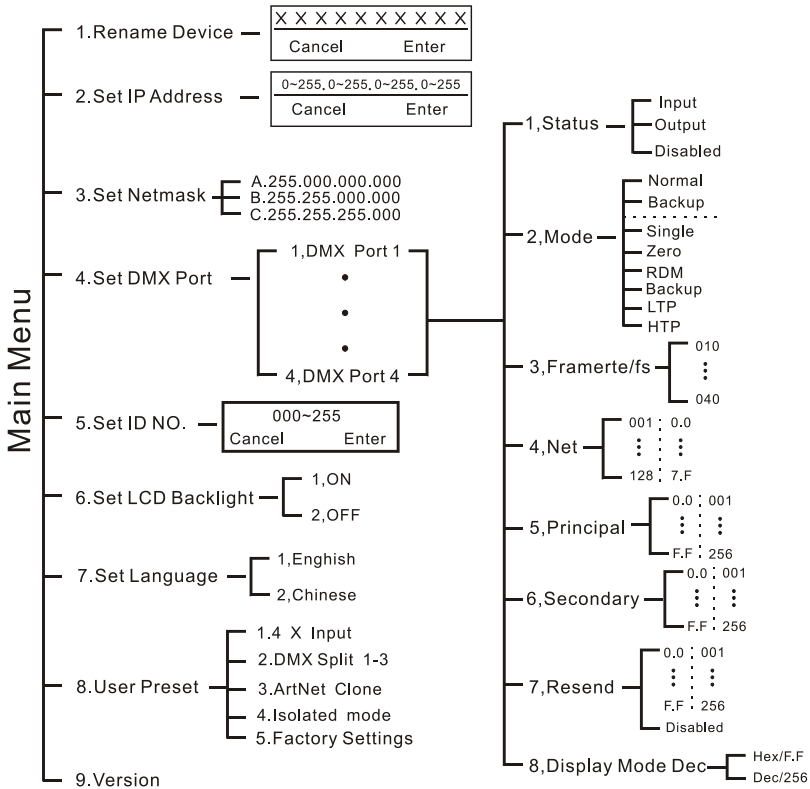
MAC Address
5E:D2:78:54:52:12

There are 5 different status (as pictures show) you can check when you power on your unit. You can switchover them by pressing the UP and DOWN. The first four options can be changed in the main menu.

In the port status, A/B refers to the DMX port Ethernet IN/ Ethernet Thru; 1/2/3/4 refers to the DMX port 1/2/3/4; In the first line, √/x means the port status is activity/inactive; “-” means the current port status is disabled. In the second line, “-” means the current port status is input signal.

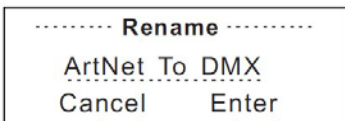
When the screen is in the fifth state, Hold the ENTER key for 3 seconds and enter the MAC address modification interface, You can set their values by pressing the UP and DOWN, confirm you change by press the ENTER.

4.2 Main menu



4.2.1 Rename Device

Enter into the main menu by press MENU, then pressing the UP and DOWN to choose the **Rename Device** option and then press the ENTER to confirm your selection. Now you can rename the device by pressing UP and DOWN now. Confirm you change and move to next option by press the MENU.



4.2.2 Set IP Address

Enter into the main menu by press MENU, then pressing the UP and DOWN to choose the **Set IP Address** option and then press the ENTER to confirm your selection. Now you can set **IP address** by pressing UP and DOWN now. Confirm you change by press the ENTER.

..... IP Address
002.010.010.002
Cancel Enter

Please note: Each of the IP address should be unique.

4.2.3 Set Netmask

Enter into the main menu by press MENU, then pressing the UP and DOWN to choose the **Netmask** option and then press the ENTER to confirm your selection. Now you can set **Netmask** by pressing UP and DOWN now. Confirm you change by press the ENTER.

..... Netmask
A. 255.000.000.000
B. 255.255.000.000
C. 255.255.255.000

4.2.4 Set DMX port

Enter into the main menu by press MENU, then pressing the UP and DOWN to

choose the **set DMX port** option and then press the ENTER to confirm your selection. Then you can set the parameter of the each port by pressing UP /DOWN and ENTER now.

1) 1-4 DMX Input

You can enter to any of the DMX port 1-4 and set as below:

1, Port Status, DMX port status can be set as IN / OUT/ DIS;

2, As the DMX port set as Input status, then the Mode only can be set as normal or backup.

3, Framerte/fs

4, NET

5, Principal

6, Secondary

7, Resend

8,Display Mode Dec

Normal mode means it will send the data received from DMX IN port to the universal of network regardless if there is any data in the universal of the network.

Backup mode refers that when there is any data on the universal of network, the CA-AN04T won't send any data to universal of network. Only when the universal of network is no any data, then the CA-AN04T will receive the data from DMX IN port and send it to the universal of network simultaneously.

2) 1-4 DMX output

..... DMX Port	
1.Port Status	OUT
2.Port Mode	HTP

..... DMX Port	
1,Port Status	OUT
2,Port Mode	LTP

..... DMX Port	
1.Port Status	OUT
2.Port Mode	Zero

..... DMX Port	
1.Port Status	OUT
2.Port Mode	Single

..... DMX Port	
1.Port Status	OUT
2.Port Mode	RDM

Any of the port 1-4 also can be set as Output or Disabled status. Upon the port has been set as Output status, there are **LTP, HTP, Zero, Single and RDM** these 5 modes can be selected.

Zero means the port output should be “0”;

Single means this port will only output one universal.

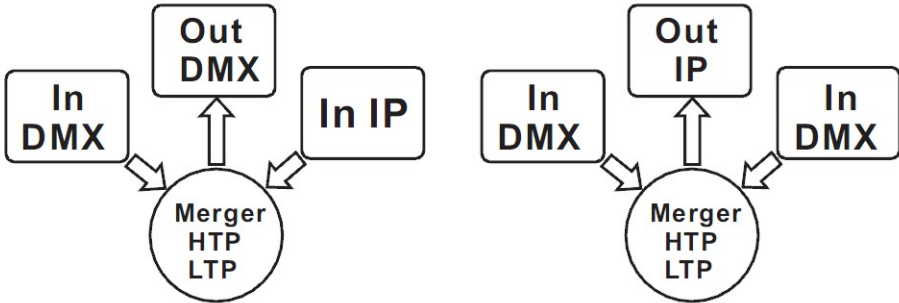
LTP means this port will output the latter one between the universal of principle and secondly. The unit will compare the two universal and resend the later one to the network.

Please note that in the LTP mode, you should ensure the Resend option is not at the status of Disabled. Or it won't resend the data to the network.

HTP means the port will output the one with higher value between the universal of principle and secondly. The unit will compare the two universal and resend the higher data to the network. They can be set within the range of 0.0-F.F./001-255. (These two formats can be change through Display Mode)

Please note that in the HTP mode, you should ensure the Resend option is not at the status of Disabled. Or it won't resend the data to the network.

RDM means the port output can support Remote Device Manager.



3) 1-3 DMX port disabled

.....	DMX Port
1.Port Status		DIS
2.Port Mode		Backup

Any of the port 1-4 can be set as Disabled status. Upon the port has been set as Disabled status, the DMX port will be disabled, it cannot send or receive any data from now on.

Please note that the Framerte/fs only available for Output status; The Secondly and Resend option only available for the HTP/LTP mode under the status of Output.

4.2.5 Set ID NO.

Enter into the main menu by press MENU button, pressing UP and DOWN to choose the **Set ID NO.** option, then press the ENTER to confirm your selection. You can set the ID No. for the unit from 000 to 255. The ID is only used to recognize each of the unit easily.

..... Device ID
001
Cancel Enter

4.2.6 Set LCD Backlight

Enter into the main menu by press MENU button, then pressing the UP and DOWN to choose the **Set LCD Backlight** option and then press the ENTER to confirm your selection. You can choose its status as ON/OFF. ON means the LCD backlight will turn on all the time. OFF means the LCD backlight will turn off automatically after idle 30 seconds.

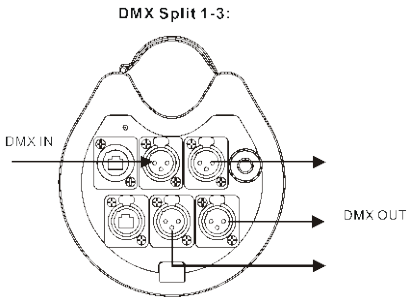
..... LCD BackLight
1.ON
2.OFF

4.2.7 User Preset

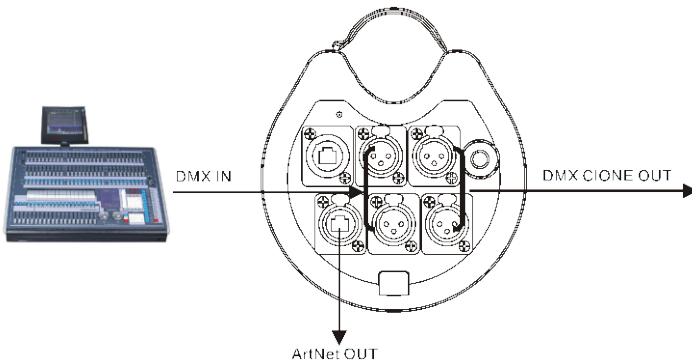
Enter into the main menu by press MENU button, then pressing the UP and DOWN to choose the **User Preset** option and then press the ENTER to confirm your selection. This setting help you easily use the application avoid complicated setup procedure. You can simply choose you desired mode by

pressing UP and DOWN, and confirm your choice by pressing ENTER..

- 1) **4 x Input:** Make the 4 DMX port as Input status.
- 2) **DMX Split 1-3:** This setting will help you make the unit as one splitter which with one DMX input to 3 DMX output. Please note that the LED indicator of the DMX Output port will light up in green.



- 3) **ArtNet Clone:** Direct through mode, the preset is used to replicate a standard ArtNet signal from 2 (1-2) Input ports to 2(3-4) output ports.



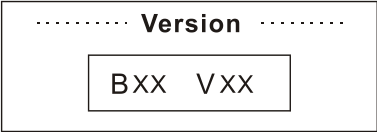
- 4) **Isolated Mode:** It will isolate the DMX input and output. The DMX input wouldn't output the DMX signal to the DMX out port. The range of DMX

port 1-4 is 0.0~0.7.They will receive the signal from the network individually.

- 5) **Factory Setting:** All of the setting including the device name, device ID as well as device IP will be restored to the original status.

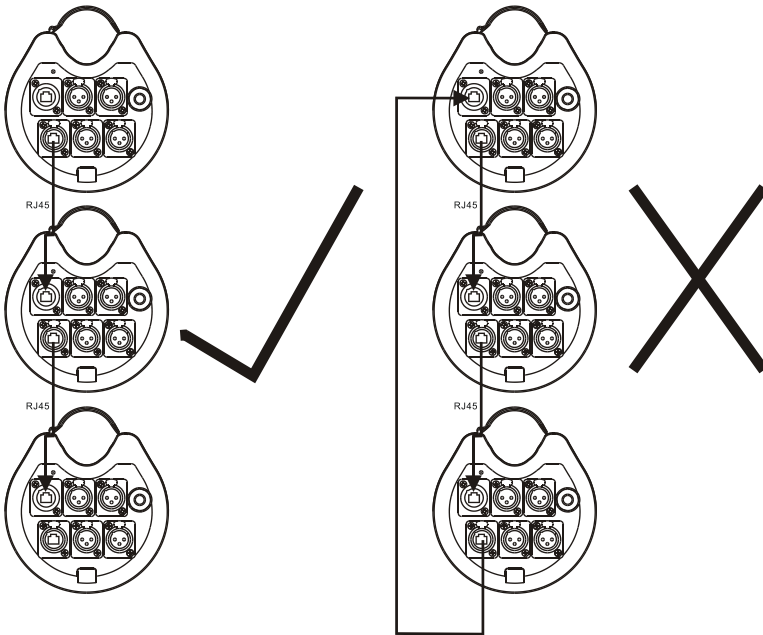
4.2.8 Version

You can check the version number from this option.



5. Application Diagram

Please Note that the unit cannot be circular connected, or it will cause cyber storm to affect the performance of system.



Technical Specification

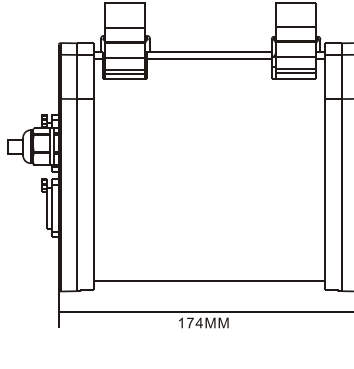
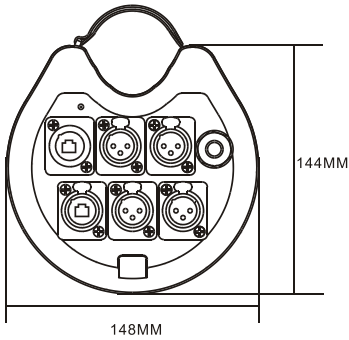
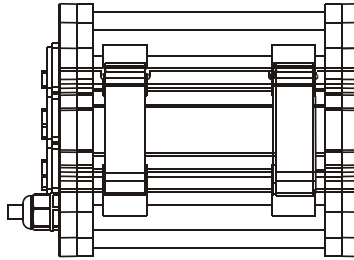
Voltage: AC100-240V, 50/60Hz

Power consumption: 5W

Dimension/ Weight:

174x148x144mm, 1.9Kg

6.9"x5.8"x5.7" in, 4.2lbs





It can be installed in truss of different sizes(Φ 40MM/50MM/60MM)

Declaration of Conformity

We declare that our products (lighting equipments) comply with the following specification and bears CE mark in accordance with the provision of the Electromagnetic Compatibility (EMC) Directive 89/336/EEC.

EN55103-1: 2009+A1:2012; EN55103-2: 2009;
EN61000-3-2: 2014; EN61000-3-3: 2013.

&

Harmonized Standard

EN 60598-1:2015; EN 60598-2-17:1989 + A2:1991;

EN 62471:2008; EN 62493: 2010

Safety of household and similar electrical appliances

Part 1: General requirements

Innovation, Quality, Performance