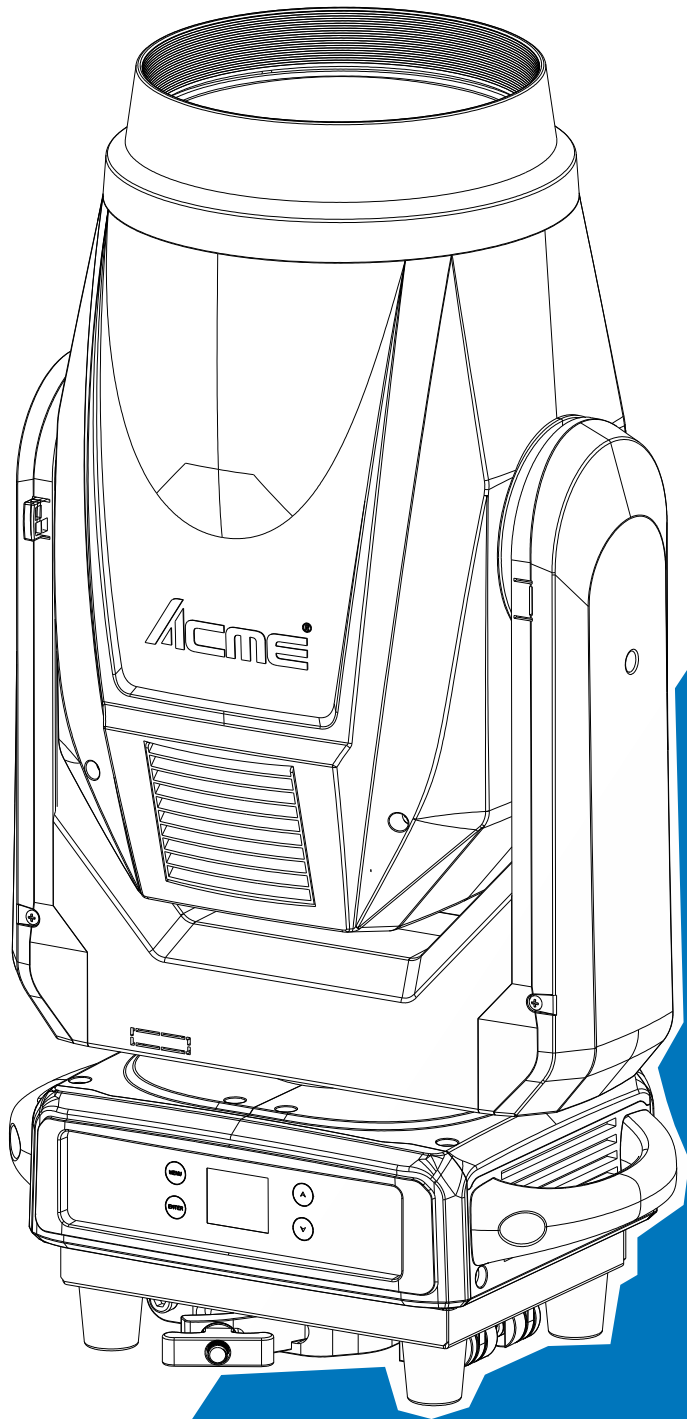


# Acme®

## ARES



Intertek  
5000057

## User Manual

Please read the instruction carefully before use

# CONTENTS

01/ Safety Instructions.....	2
02/ Technical Specifications .....	7
03/ Control Panel.....	9
04/ Fixture Installation.....	10
05/ Effect Wheels & Lamp .....	12
5.1 Effect Wheels.....	12
5.2 Light Source.....	12
5.3 Lamp Replacement.....	13
5.4 Lamp Replacement Warning .....	15
06/ How To Set The Unit.....	15
6.1 Main Functions .....	15
6.2 Home Position Adjustment .....	27
07/ Control By Universal DMX Controller .....	31
7.1 DMX512 Connection.....	31
7.2 Address Setting.....	32
7.3 DMX512 Configuration .....	32
08/ Error Information .....	44
09/ Troubleshooting .....	51
10/ Fixture Cleaning.....	52

## 01/ Safety Instructions



Please read the instruction carefully which includes important information about the installation, usage and maintenance.

### WARNING

Please keep this User Guide for future consultation. If you sell the unit to another user, be sure that they also receive this instruction manual.

#### Important:

**Damages caused by the disregard of this user manual are not subject to warranty. The dealer will not accept liability for any resulting defects or problems.**

- Unpack and check carefully to ensure that there is no transportation damage before using the unit.
- This product is for indoor use only. Use only in a dry location.
- DO install and operate by qualified operator.
- DO NOT allow children to operate the fixture.
- Use safety chain when fixing the unit. Handle the unit by carrying its base instead of head only.
- The unit must be installed in a location with adequate ventilation, at least 50cm from adjacent surfaces.
- Be sure that no ventilation slots is blocked, otherwise the unit will be overheated.
- Before operation, ensure that you are connecting this product to the proper voltage in accordance with the specifications in this manual or on the product's specification label.
- It's important to ground the yellow/green conductor to earth in order to avoid electric shock.
- Minimum ambient temperature TA: 0°C. Maximum ambient temperature TA: 40°C. Do not operate this product at a lower or higher temperature.
- DO NOT connect the device to any dimmer pack.
- During initial start-up some smoke or smell may arise. This is a normal process and does not necessarily mean that the device is defective, and it will decrease gradually within 15 minutes.
- Keep flammable materials away from the fixture while operating to avoid fire hazard.
- Make sure the power cord is not crimped or damaged; replace it immediately if damaged.

- Unit's surface temperature may reach up to 90°C. DO NOT touch the housing bare-handed during its operation.
- Avoid any flammable liquids, water or metal from entering the unit. Once it happens, cut off the mains power immediately.
- DO NOT operate in a dirty or dusty environment. DO clean the fixture regularly.
- DO NOT touch any wire during operation as there might be a hazard of electric shock.
- Avoid entanglement of the power cord with other wires.
- The minimum distance to objects/surface must be more than 12 meters.
- Disconnect mains power before fuse/lamp replacement or servicing.
- Replace fuse/lamp only with the same type.
- In the event of serious operating problem, stop using the unit immediately.
- Never turn on and off the unit time after time.
- The housing, the lenses, or the ultraviolet filter must be replaced if they are visibly damaged.
- DO NOT open the housing as there are no user serviceable parts inside.
- DO NOT attempt to operate this unit if it becomes damaged. DO NOT attempt any repairs yourself. Repairs carried out by unskilled people can lead to damage or malfunction. Please contact the nearest authorized technical assistance center if needed.
- Disconnect this product from its power source before servicing.
- DO use the original packaging if the device is to be transported.
- Hot lamp explosion hazard. DO NOT open the unit within 15 minutes after switching off.
- DO replace the bulb once it is damaged, deformed or life-expired.
- Avoid direct eye exposure to the light source while the product is on.
- Never touch bulb with bare fingers, as it is very hot after using.
- DO NOT operate this product if you see damage on the housing, shields, or cables. Have the damaged parts replaced by an authorized technician at once.

## 01/ Consignes de sécurité



Veillez lire attentivement les instructions qui contiennent des informations importantes sur l'installation, l'utilisation et l'entretien.

### ATTENTION

Veillez conserver ce guide de l'utilisateur pour une consultation future. Si vous vendez l'appareil à un autre utilisateur, assurez-vous qu'il reçoive également ce manuel d'instructions.

#### Important:

**Les dommages causés par le non-respect de ce manuel d'utilisation ne sont pas couverts par la garantie. Le revendeur n'acceptera aucune responsabilité pour les défauts ou problèmes qui en résultent.**

- Déballez et vérifiez soigneusement qu'il n'y a pas de dommages dus au transport avant d'utiliser l'appareil.
- Ce produit est destiné à un usage intérieur uniquement. Il doit donc être utilisé uniquement dans un endroit sec.
- L'installation et la mise en fonctionnement doit être effectué par un opérateur qualifié.
- NE PAS permettre aux enfants d'utiliser l'appareil.
- Utilisez une chaîne de sécurité lors de la fixation de l'unité. Manipulez l'appareil en portant sa base au lieu de la tête uniquement.
- L'unité doit être installée dans un endroit avec une ventilation adéquate, à au moins 50cm des surfaces adjacentes.
- Assurez-vous qu'aucune fente d'aération du luminaire n'est obstruée, sinon il risque de surchauffer.
- Avant toute utilisation, assurez-vous que vous connectez ce luminaire à la tension appropriée conformément aux spécifications que vous trouverez dans ce manuel ou sur l'étiquette des spécifications collée sur la base du luminaire.
- Il est important de relier le file jaune/vert à la terre afin d'éviter tout choc électrique.
- Température ambiante minimale TA: 0°C. Température ambiante maximale TA: 40°C. N'utilisez pas ce luminaire à des températures inférieures ou supérieures.
- NE PAS connecter le luminaire à un pack de gradateurs.
- Lors de la première mise en service de l'appareil, de la fumée ou une odeur peut se

dégager. Il s'agit d'un processus normal et ne signifie pas nécessairement que l'appareil est défectueux, l'effet diminuera progressivement dans les 15 minutes.

- Gardez les matériaux inflammables à l'écart du luminaire pendant le fonctionnement pour éviter tout risque d'incendie.
- Assurez-vous que le cordon d'alimentation n'est pas pincé ou endommagé; remplacez-le immédiatement s'il est endommagé.
- La température de surface de l'unité peut atteindre 90°C. NE PAS toucher les capots à mains nues pendant son fonctionnement.
- Évitez que des liquides inflammables, de l'eau ou du métal ne pénètrent dans l'appareil. Si cela se produit, coupez immédiatement l'alimentation secteur.
- NE PAS utiliser le luminaire dans un environnement sale ou poussiéreux. Cette appareil doit être nettoyer régulièrement.
- NE touchez AUCUN file pendant le fonctionnement car il pourrait y avoir un risque de choc électrique.
- Évitez l'enchevêtrement du cordon d'alimentation avec d'autres fils.
- La distance minimale de projection sur des objets ou sur des surfaces doit être supérieure à 12 mètres.
- Débranchez l'alimentation principale avant le remplacement ou l'entretien du fusible et/ou de la lampe.
- Remplacez le fusible et/ou la lampe uniquement par le même type.
- En cas de problème de fonctionnement grave, arrêtez immédiatement d'utiliser l'appareil.
- N'allumez et n'éteignez jamais ce luminaire à maintes reprises.
- Le boîtier, les lentilles ou le filtre ultraviolet doivent être remplacés s'ils sont visiblement endommagés.
- NE PAS ouvrir le boîtier car il ne contient aucune pièce réparable par l'utilisateur.
- NE PAS mettre ce luminaire en fonctionnement s'il est endommagé. N'effectuez pas de réparations vous-même. Les réparations ne doivent être effectuées par des personnes non qualifiées, cela peut entraîner des dommages ou des dysfonctionnements. Veuillez contacter le centre d'assistance technique agréé le plus proche si nécessaire.
- Débranchez ce produit du secteur avant de procéder à l'entretien.
- Utiliser l'emballage d'origine si l'appareil doit être transporté.
- Risque d'explosion de la lampe chaude. N'ouvrez pas l'appareil dans les 15 minutes après

l'avoir éteint.

- Remplacez l'ampoule une fois qu'elle est endommagée, déformée ou que sa durée de vie a expiré.
- Évitez une exposition directe des yeux à la source lumineuse lorsque le produit est allumé.
- Ne touchez jamais l'ampoule avec à mains nus, car elle reste très chaude après utilisation.
- N'utilisez PAS ce produit si vous constatez des dommages sur le boîtier, les blindages ou les câbles. Faites remplacer immédiatement les pièces endommagées par un technicien agréé.

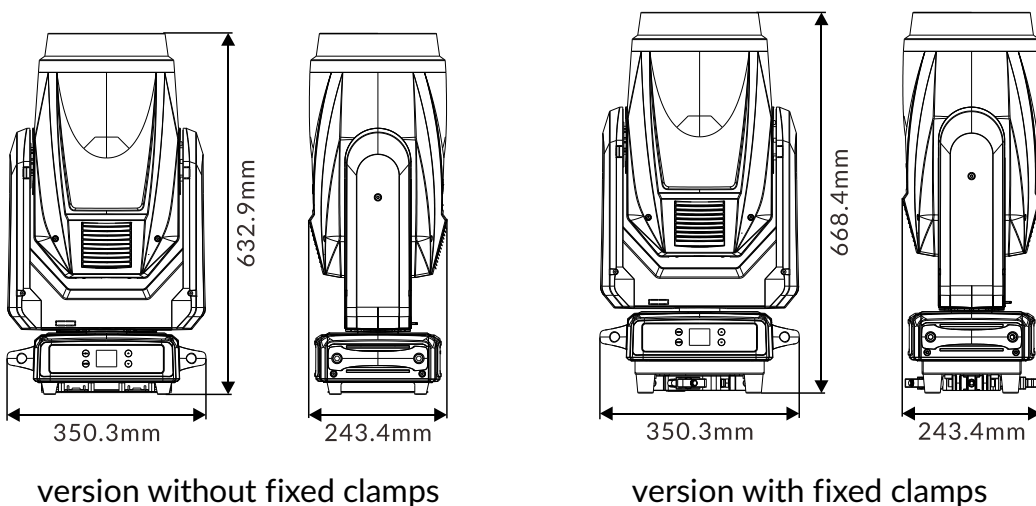
## 02/ Technical Specifications

Power Voltage	100-240V~ 50/60Hz	
Power Consumption	545W	
Light Source	PHILIPS MSD Platinum 19 R LL	
Color Temperature	6700K	
Beam Angle	1.3°	
Dimmer/Strobe	0-100% smooth dimming; outstanding strobe effect with variable speed	
Color Wheel	12 colors + CRI filter + green-minus filter plus open, and rainbow effect	
Gobo Wheel	Static Gobo Wheel	13 gobos plus open
Movement	Pan	540°
	Tilt	260°
	Pan/Tilt Resolution	16 bit
	Automatic pan/tilt position correction	
	Fixation	Pan/Tilt lock
Control	DMX Channel	21/17 Channels
	Control Mode	DMX512
		RDM
	Firmware Upgrade	via DMX link or USB disk
Construction	Display	LCD display
	Battery backup for user setup without mains connection	
	Data In/Out	3-pin/5-pin XLR
	Power In/Out	Power Connector in/out
	Protection Rating	IP20

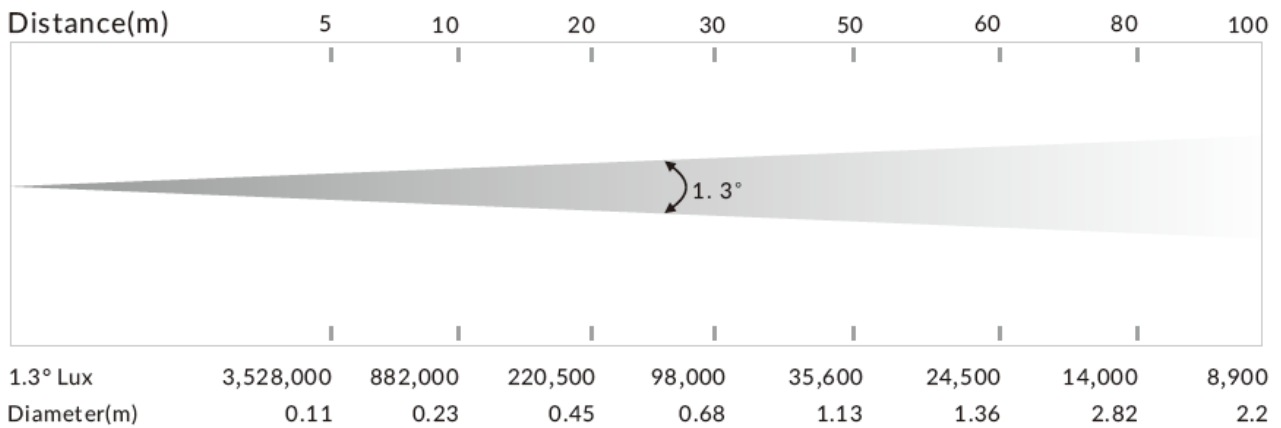
*Description for power cord set should be used: Listed SJT flexible cord with rating: 300V, 105°C, 18AWG x 3C, molded with 5-15P attachment plug and terminated with cord connector model SAC3FX with rating 250V, 16A by NINGBO HAISHU DISTRICT SEETRONIC ELECTRONIC CO., LTD. The power cord shall be at least 914mm (It is to be measured from the face of attachment plug to the face of connector).*



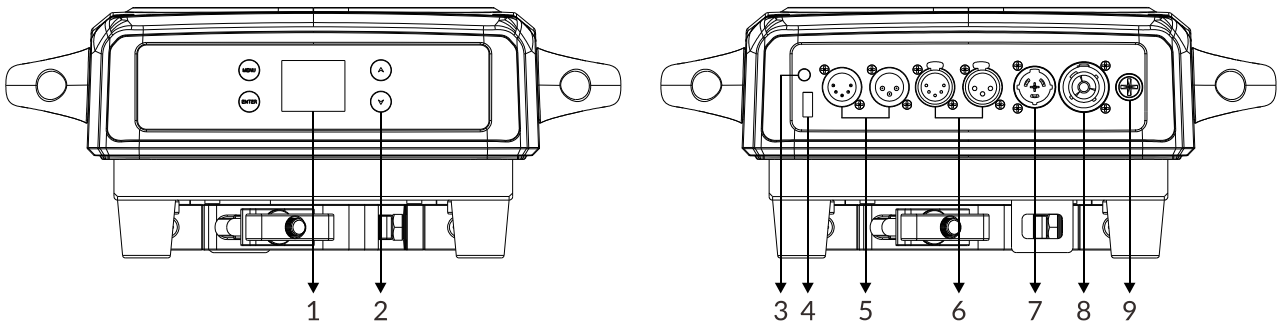
<b>Features</b>	Motorized focus	
	Independent frost effect	
	4 x prisms: 6-facets linear prism/8-facets prism 24-facets prism/48-facets prism 6-facets linear prism can be rotated and superimposed with 24-facets prism or 48-facets prism in both directions 8-facets prism can be rotated and superimposed with 24-facets prism or 48-facets prism in both directions	
	FX wheel: 1 x CTO filter with gradually changing color temperature 3 effect gobos, which can be overlapped with the static gobo wheel Provide two softening effects	
	2 x fixed clamps for 50mm truss (version with fixed clamps)	
	<b>Dimensions</b> (version without fixed clamps)	350.3x243.4x632.9mm
<b>Dimensions</b> (version with fixed clamps)	350.3x243.4x668.4mm	13.8"x9.6"x26.3" in
<b>Weight</b> (version without fixed clamps)	27kgs	59.5lbs
<b>Weight</b> (version with fixed clamps)	28kgs	61.7lbs



**Photometric Diagram:**



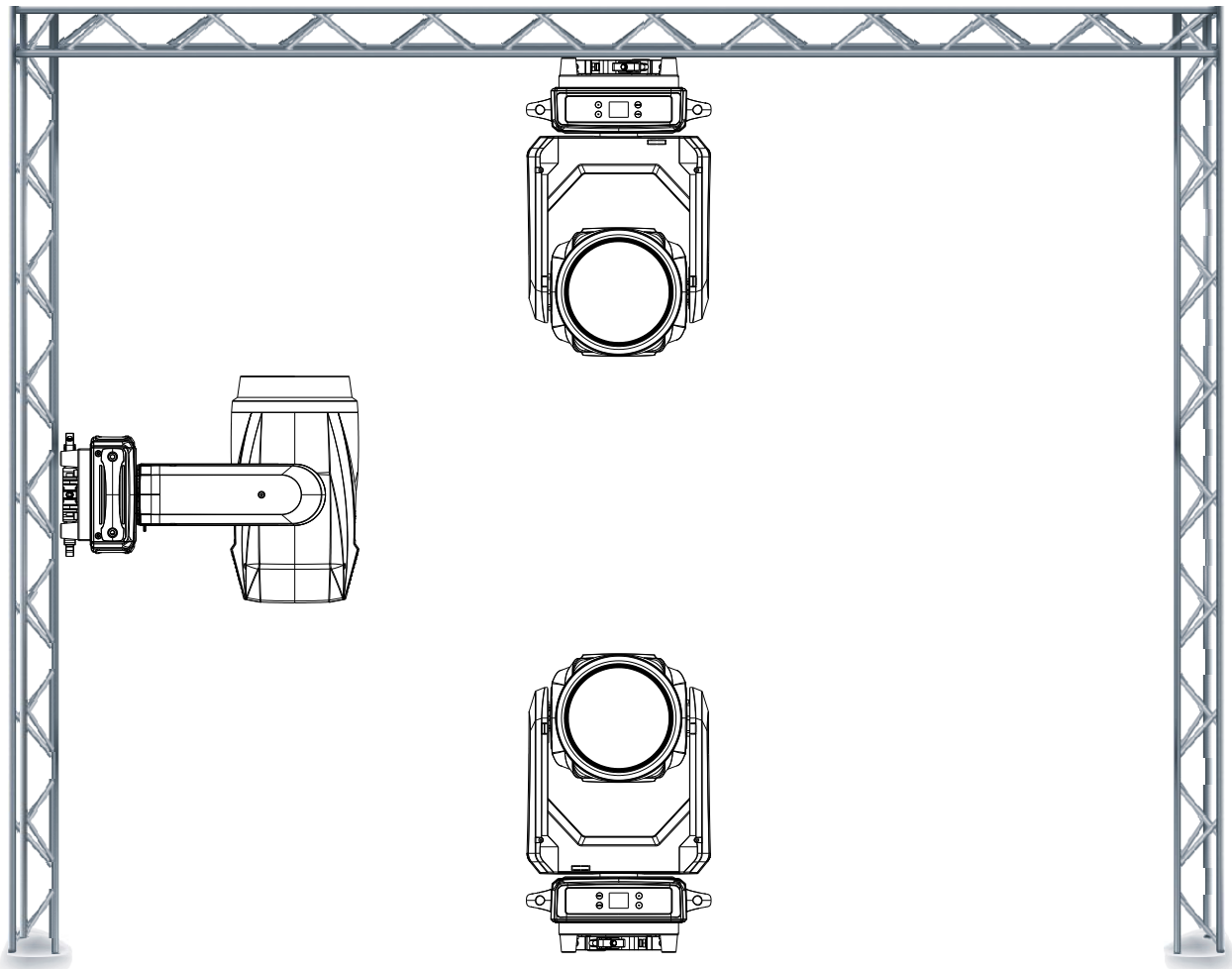
**03/ Control Panel**



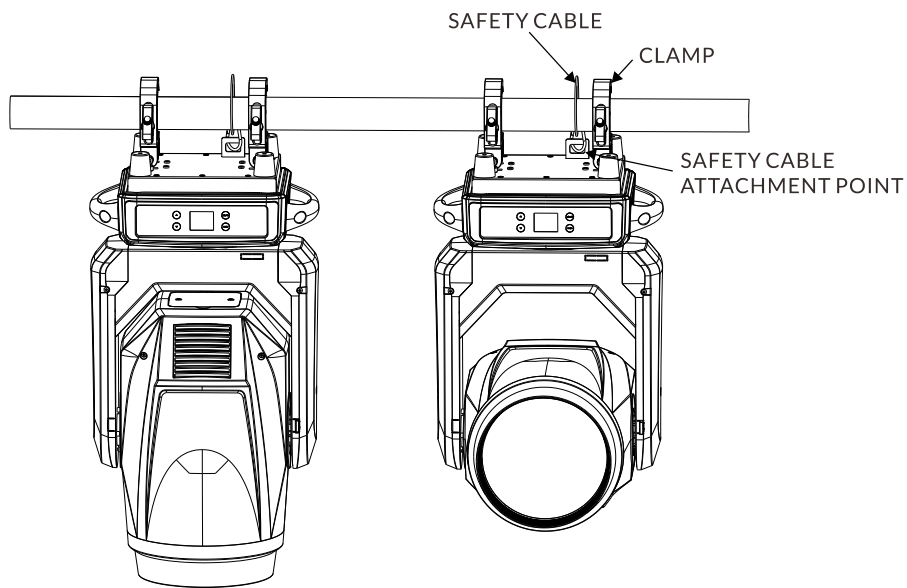
1. Display	To show the various menus and the selected function	
2. Buttons	MENU	To enter into move backward or leave the menu
	▲ UP	To go backward to move up in the menu
	▼ DOWN	To go forward to move down in the menu
	ENTER	To perform the desired functions
3. BATTERY DISPLAY		
4. FIRMWARE UPGRADE	Used to upgrade the fixture's firmware	
5. DMX IN	For DMX512 link, use 3/5-pin XLR cable to link the unit and DMX controller to input DMX signal	
6. DMX OUT	For DMX512 link, use 3/5-pin XLR cable to link the next units to output DMX signal	
7. POWER IN	To connect to supply power	
8. POWER OUT	To connect to the next fixture	
9. FUSE(T 10A)	Protects the unit from damage of over-voltage or short circuit	

## 04/ Fixture Installation

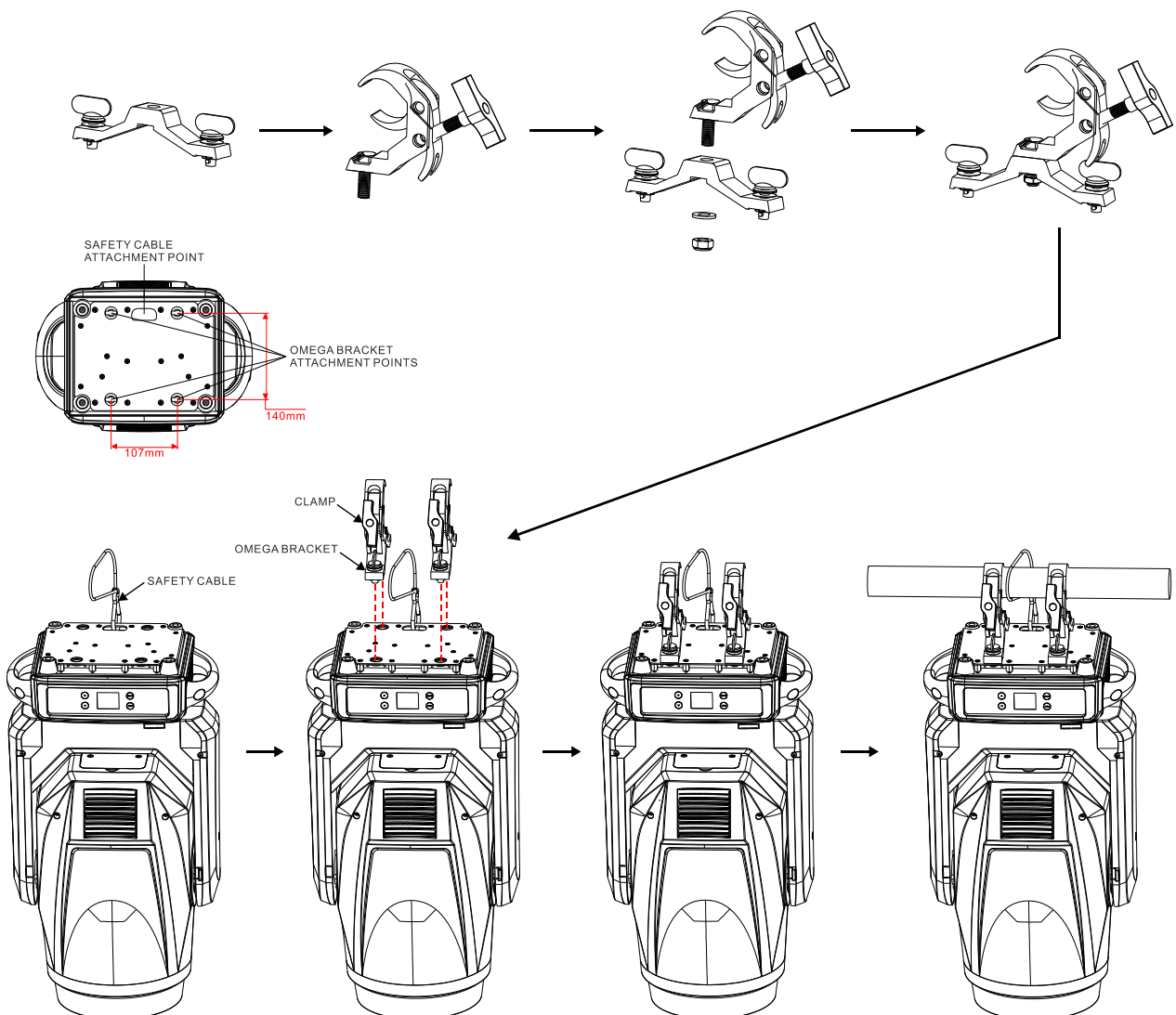
- ▶ DO install and operate by qualified operator. Fixture(s) should be installed in areas outside walking paths, seating areas, or away from areas where unauthorized personnel might reach the fixture by hand. NEVER stand directly below the fixture(s) when rigging, removing or servicing.
- ▶ Always ensure that the unit is firmly fixed to avoid vibration and slipping off during operation. Ensure that the trussing or area of installation must be able to hold 10 times the weight without any deformation. Always attach a safety cable that can hold at least 12 times the weight of the fixture whenever installing this fixture in a suspended environment to ensure that the fixture will not fall if the clamp fails.
- ▶ This fixture is fully operational in three different mounting positions: hanging upside-down, mounted sideways on trussing, or set on a flat level surface. Always use and install the supplied safety cable as a safety measure to prevent accidental damage and/or injury in the event the clamp fails.



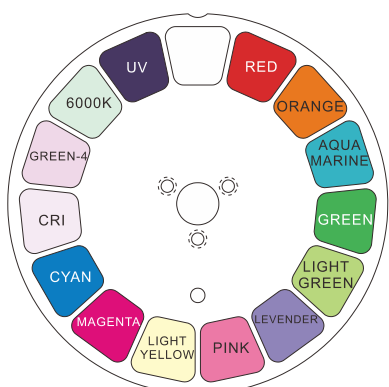
## Hanging the fixture:



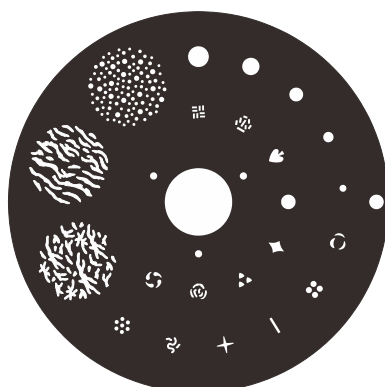
## Steps for installing the omega brackets to the fixture:



### 5.1 Effect Wheels



COLOR WHEEL



STATIC GOBO WHEEL



FX WHEEL

#### DANGER!

Install the color wheel / gobo wheel with the device switched off only.  
Unplug from mains before changing the color wheel / gobo wheel!

### 5.2 Light Source

#### PHILIPS MSD Platinum 19 R LL

Because of its high internal pressure, there might be a risk that the discharge lamp would explode during operation. The lamp emits intense UV radiation which is harmful to the eyes and skin. The high luminance of the arc can cause severe damage to the retina if you take a close look at the lamp.

- ▶ To protect the lamp, always turn off the lamp first (via control panel or DMX controller) and let the unit run at least five minutes to cool down before switching off the mains supply. Never handle the lamp or luminaire when it is hot.
- ▶ Do not touch the bulb with bare hands. If this happens, clean the lamp with denatured alcohol and wipe it with a lint free cloth before installation.
- ▶ The lamp generates UV radiation. Never operate the lamp without appropriate shielding.
- ▶ When lighting up, the lamp operates at high pressure and there is a slight risk of arc tube rupture. The risk increases with age, temperature and improper handling of the lamp. Do not use the lamp longer than its lifespan.
- ▶ Make sure the lamp is located in the center of the reflector for the best projection.

## 5.3 Lamp Replacement

### ATTENTION

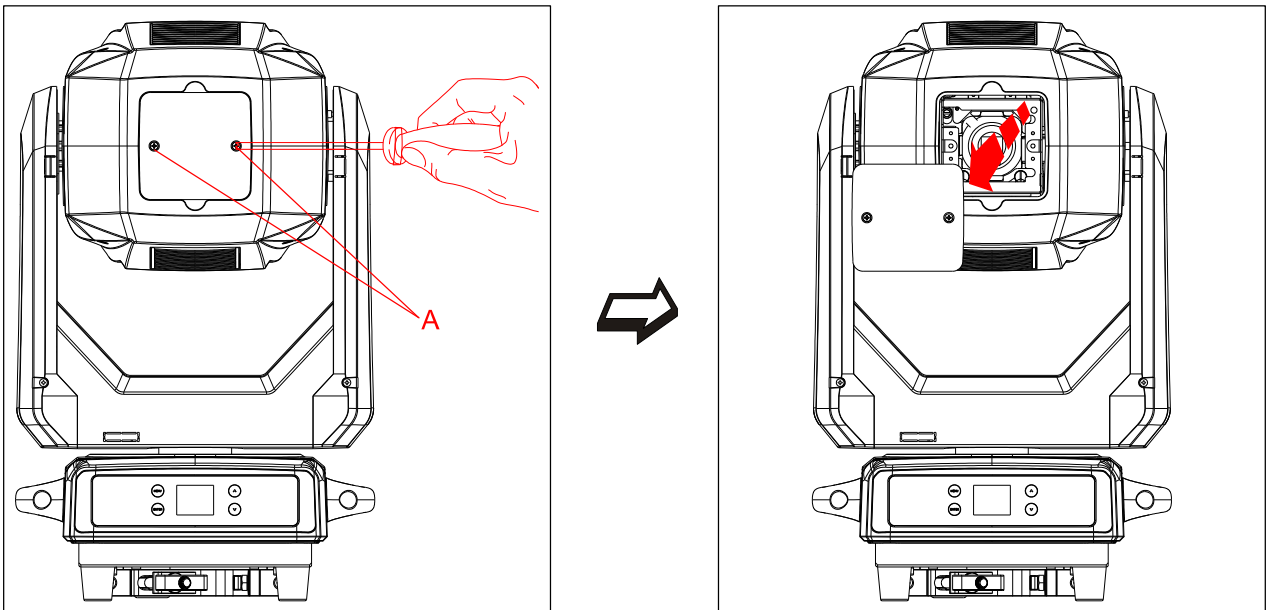
The entire light path and lens of the luminaire must be thoroughly cleaned before replacing the lamp.

Do not use this lamp more than 4000 hours, using the lamp any longer than its set life could seriously damage the fixture. Periodically checking the lamp running time, when the lamp reaches the 4000 hour mark, or close to it, we strongly suggest you switch the lamp out. Reset the lamp time after you have replaced the lamp.

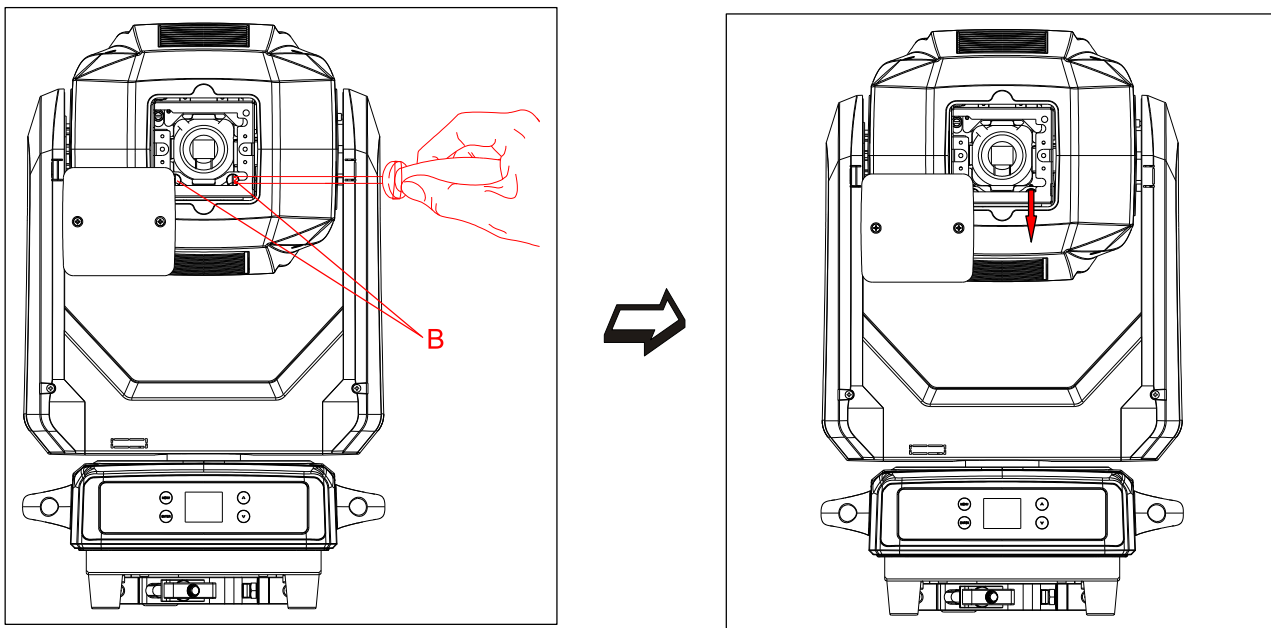
#### To replace the lamp:

Ensure that the fixture is detached from power and has cooled down completely. It is a good idea to allow the fixture to run for 15 minutes after the lamp has been turned off, so that the cooling fans have time to work.

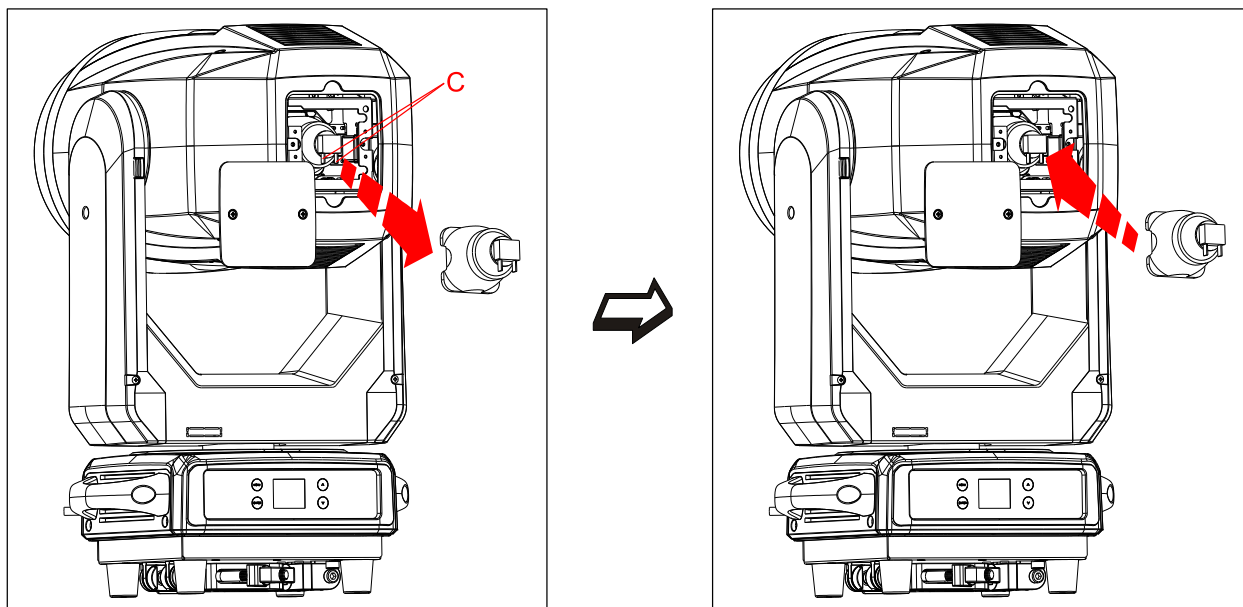
Loosen the screws at A on the head of the fixture and open the fixture head covers.



Loosen the screws at B and then pull the hardware down.



Unplug the leads of the lamp and lift the lamp out of its recess, disconnect the lamp and connect a new lamp that must be the same type with the old one. And then place the new lamp into the lamp recess.



Finally reinstall the head cover, fastening it securely before reapplying power.



## 5.4 Lamp Replacement Warning

- ▶ When the lamp reaches 300 hours before its service time, the display will flash the message “Replace Lamp Soon” for up to 5 minutes. During this period, the fixture will still work normally.
- ▶ When the lamp reaches its service time, the display will flash the message “Replace Lamp Now” for up to 10 minutes. After 10 minutes, the fixture will return to normal operation.
- ▶ When the lamp is continuously used overtime, the display will flash the message “Lamp Timeout Use, Replace Lamp Now” for up to 10 minutes. After 10 minutes, the fixture will return to normal operation.

### ATTENTION

Damages caused by the failure to replace the bulb in time are not subject to warranty.

## 06/ How To Set The Unit

### 6.1 Main Functions

- ▶ To access the control menus, press the [MENU] button.
- ▶ Navigate the menu structure, using the [ENTER], [▲ UP] and [▼ DOWN] buttons.
- ▶ To select a menu option or to confirm a selection, press the [ENTER] button.
- ▶ To return to a higher level in the menu structure without making a change, press the [MENU] button, or wait 30 seconds.



The main functions are shown below:

MENU	SUBMENU	OPTIONS	
DMX Settings	DMX Address	1-492 (21 CH)	(Default=1)
		1-496 (17 CH)	
	DMX Channel Mode	Mode 1 (21ch)	
		Mode 2 (17ch)	
	No DMX Status	Blackout	
		Hold	
Manual			
View DMX Value			
Fixture Settings	Pan Invert	No	
		Yes	
	Tilt Invert	No	
		Yes	
	P/T Feedback	No	
		Yes	
Lamp Settings	Lamp On/Off	Off	
		On	
	Lamp ON with Power	Off	
		On	
	Lamp ON via DMX	Off	
		On	
	Lamp OFF via DMX	Off	
		On	
Display Settings	Display Invert	No	
		Yes	
	Backlight Intensity	1-10	(Default=10)
	Temperature Unit	°C	
		°F	
	Language	English	
Chinese			
Fixture Test	Auto Test		
	Manual Test	Clear	No/Yes
		Pan	0-255
		Tilt	0-255
		Cto	0-255
		Color	0-255
		Gobo	0-255
		FX Wheel	0-255

MENU	SUBMENU	OPTIONS		
		Prism	0-255	
		R-Prism 1	0-255	
		R-Prism 2	0-255	
		Strobe	0-255	
		Dimmer	0-255	
		Focus	0-255	
		Frost	0-255	
Fixture Information	Fixture Use Hour			
	Lamp Use Time	Password=050	Work Mode	
			Sleep Mode	
			Sleep Ratio	
	Lamp Time Reset	Password=050		
	Lamp State	Driver State		
		Lamp Voltage		
		Fault Mode		
	Temperature		Current	Max temp
		Head		
	Fan State	Head Fan 1-9		
		Base Fan 1-2		
	Upgrade File			
Firmware Version				
RDM UID				
Error Logs	Fixture Errors			
	Reset Error Logs	No		
		Yes	Password=050	
Reset Function	Pan/Tilt Reset	No		
		Yes		
	Effect Reset	No		
		Yes		
All Reset	No			
	Yes			
Special Function	Factory Settings	No		
		Yes		

## DMX Settings

Enter the control menu and select **DMX Settings**, press ENTER. Use the UP/DOWN button to select **DMX Address**, **DMX Channel Mode**, **No DMX Status** or **View DMX Value**.

## DMX Address

Select **DMX Address**, press ENTER.

Use UP/DOWN button to select an address, confirm your selection with ENTER.

CHANNEL MODE	DMX ADDRESS
Mode 1 (21ch)	1-492
Mode 2 (17ch)	1-496

To exit the menu, press MENU, or wait 30 seconds.

## DMX Channel Mode

Select **DMX Channel Mode**, press ENTER.

Use UP/DOWN button to select between **Mode 1 (21ch)** and **Mode 2 (17ch)**, confirm your selection with ENTER.

To exit the menu, press MENU, or wait 30 seconds.

## No DMX Status

Select **No DMX Status**, press ENTER.

Use UP/DOWN button to select one of the following status:

**Blackout** (Fixture blacks out if DMX signal stops)

**Hold** (The device continues to operate in the current mode with the last active DMX values until the signal returns)

**Manual** (The device accepts the DMX value stored in the 'Manual Test' menu)

Confirm your selection with ENTER.

To exit the menu, press MENU, or wait 30 seconds.

## View DMX Value

Select **View DMX Value**, press ENTER.

Use UP/DOWN button to select the desired DMX channel, for which the value is to be displayed.

To exit the menu, press MENU, or wait 30 seconds.

## Fixture Settings

Enter the control menu and select **Fixture Settings**, press ENTER. Use the UP/DOWN button to select **Pan Invert**, **Tilt Invert** or **P/T Feedback**.

### Pan Invert

Select **Pan Invert**, press ENTER.

Use UP/DOWN button to select **No** (pan invert deactivated) or **Yes** (pan invert activated), confirm your selection with ENTER.

To exit the menu, press MENU, or wait 30 seconds.

### Tilt Invert

Select **Tilt Invert**, press ENTER.

Use UP/DOWN button to select **No** (tilt invert deactivated) or **Yes** (tilt invert activated), confirm your selection with ENTER.

To exit the menu, press MENU, or wait 30 seconds.

### P/T Feedback

Select **P/T Feedback**, press ENTER.

Use UP/DOWN button to select **No** (pan/tilt feedback deactivated) or **Yes** (pan/tilt feedback activated), confirm your selection with ENTER.

To exit the menu, press MENU, or wait 30 seconds.

## Lamp Settings

Enter the control menu and select **Lamp Settings**, press ENTER. Use the UP/DOWN button to select **Lamp On/Off**, **Lamp ON with Power**, **Lamp ON via DMX** or **Lamp OFF via DMX**.

### Lamp On/Off

Select **Lamp On/Off**, press ENTER.

Use UP/DOWN button to select **Off** (lamp off) or **On** (lamp on), confirm your selection with ENTER.

To exit the menu, press MENU, or wait 30 seconds.

### Lamp ON with Power

Select **Lamp ON with Power**, press ENTER.

Use UP/DOWN button to select **Off** (lamp off while power on) or **On** (lamp on while power on), confirm your selection with ENTER.

To exit the menu, press MENU, or wait 30 seconds.

### Lamp ON via DMX

Select **Lamp ON via DMX**, press ENTER.

Use UP/DOWN button to select **Off** or **On**, confirm your selection with ENTER.

To exit the menu, press MENU, or wait 30 seconds.

### Lamp OFF via DMX

Select **Lamp OFF via DMX**, press ENTER.

Use UP/DOWN button to select **Off** or **On**, confirm your selection with ENTER.

To exit the menu, press MENU, or wait 30 seconds.

## Display Settings

Enter the control menu and select **Display Settings**, press ENTER. Use the UP/DOWN button to select **Display Invert**, **Backlight Intensity**, **Temperature Unit** or **Language**.

### Display Invert

Select **Display Invert**, press ENTER.

Use UP/DOWN button to select **No** (display normal) or **Yes** (display inverted), confirm your selection with ENTER.

To exit the menu, press MENU, or wait 30 seconds.

### Backlight Intensity

Select **Backlight Intensity**, press ENTER.

Use UP/DOWN button to select a value between **1** (dark) and **10** (bright), confirm your selection with ENTER.

To exit the menu, press MENU, or wait 30 seconds.

### Temperature Unit

Select **Temperature Unit**, press ENTER.

Use UP/DOWN button to select **°C** or **°F**, confirm your selection with ENTER.

To exit the menu, press MENU, or wait 30 seconds.

### Language

Select **Language**, press ENTER.

Use UP/DOWN button to select **English** or **Chinese**, confirm your selection with ENTER.

To exit the menu, press MENU, or wait 30 seconds.

## Fixture Test

Enter the control menu and select **Fixture Test**, press ENTER. Use the UP/DOWN button to select **Auto Test** or **Manual Test**.

### Auto Test

Select **Auto Test**, press ENTER.

The device immediately performs an automatic self-test.

To end the automatic self-test and exit the menu, press MENU, or wait 30 seconds.

### Manual Test

Select **Manual Test**, press ENTER.

Use UP/DOWN button to select the channel for which the manual test is to be performed, confirm your selection with ENTER.

Use UP/DOWN button to select a value, confirm your selection with ENTER.

To exit the menu, press MENU, or wait 30 seconds.

(The device returns to its original DMX state after the manual test. The test values are saved automatically when the device is switched off.)

## Fixture Information

Enter the control menu and select **Fixture Information**, press ENTER. Use the UP/DOWN button to select **Fixture Use Hour**, **Lamp Use Time**, **Lamp Time Reset**, **Lamp State**, **Temperature**, **Fan State**, **Upgrade File**, **Firmware Version**, **RDM UID** or **Error Logs**.

### Fixture Use Hour

Select **Fixture Use Hour**, press ENTER.

The operating hours is displayed.

To exit the menu, press MENU, or wait 30 seconds.

## Lamp Use Time

Select **Lamp Use Time**, press ENTER.

The lamp operating hours is displayed.

Long press ENTER, use UP/DOWN button to set the password 050, press ENTER. The lamp operating hours of work mode, sleep mode and sleep ratio is displayed.

To exit the menu, press MENU, or wait 30 seconds.

## Lamp Time Reset

Select **Lamp Time Reset**, press ENTER.

Use UP/DOWN button to set the password 050, confirm your selection with ENTER. The lamp operating hours is reset.

To exit the menu, press MENU, or wait 30 seconds.

## Lamp State

Select **Lamp State**, press ENTER.

The lamp status is displayed.

To exit the menu, press MENU, or wait 30 seconds.

## Temperature

Select **Temperature**, press ENTER.

The device temperature is displayed.

To exit the menu, press MENU, or wait 30 seconds.

## Fan State

Select **Fan State**, press ENTER.

The fan status is displayed.

To exit the menu, press MENU, or wait 30 seconds.

## Upgrade File

Select **Upgrade File**, press ENTER.

The device upgrade file is displayed.

To exit the menu, press MENU, or wait 30 seconds.



## Firmware Version

Select **Firmware Version**, press ENTER.  
The firmware version is displayed.  
To exit the menu, press MENU, or wait 30 seconds.

## RDM UID

Select **RDM UID**, press ENTER.  
The RDM UID is displayed.  
To exit the menu, press MENU, or wait 30 seconds.

## Error Logs

Select **Error Logs**, press ENTER.  
Use UP/DOWN button to select **Fixture Errors**, confirm your selection with ENTER.  
The error list is displayed.  
Use UP/DOWN button to select **Reset Error Logs**, confirm your selection with ENTER.  
If you wish to reset the relevant error logs, select **Yes**. If you do not wish to reset anything, select **No**. Confirm your selection with ENTER.  
If you select **Yes**, use UP/DOWN button to set the password 050, confirm your selection with ENTER. The relevant error logs are reset.  
To exit the menu, press MENU, or wait 30 seconds.

## Reset Function

Enter the control menu and select **Reset Function**, press ENTER. Use the UP/DOWN button to select **Pan/Tilt Reset**, **Effect Reset** or **All Reset**.

## Pan/Tilt Reset

Select **Pan/Tilt Reset**, press ENTER.  
Use UP/DOWN button to select **No** or **Yes** (the device will run built-in program to reset pan/tilt to their home positions), confirm your selection with ENTER.  
To exit the menu, press MENU, or wait 30 seconds.

## Effect Reset

Select **Effect Reset**, press ENTER.

Use UP/DOWN button to select **No** or **Yes** (the device will run built-in program to reset effect to their home positions), confirm your selection with ENTER.

To exit the menu, press MENU, or wait 30 seconds.

## All Reset

Select **All Reset**, press ENTER.

Use UP/DOWN button to select **No** or **Yes** (the device will run built-in program to reset all to their home positions), confirm your selection with ENTER.

To exit the menu, press MENU, or wait 30 seconds.

## Special Function

Enter the control menu and select **Special Function**, press ENTER. Use the UP/DOWN button to select **Factory Settings**.

## Factory Settings

Select **Factory Settings**, press ENTER.

If you wish to reset the device to the factory settings, select **Yes**. If you do not wish to reset anything, select **No**. Confirm your selection with ENTER.

To exit the menu, press MENU, or wait 30 seconds.

**RDM functions: Certain menus of the device and functions can be called up via the RDM protocol.**

The parameter IDs are implemented as follows for different commands:

Parameter ID	Command 'Discovery'	Command 'Set'	Command 'Get'
DISC_UNIQUE_BRANCH	√		
DISC_MUTE	√		
DISC_UN_MUTE	√		
DEVICE_INFO			√
SUPPORTED_PARAMETERS			√
SOFTWARE_VERSION_LABEL			√
DMX_START_ADDRESS		√	√
IDENTIFY_DEVICE		√	√
DEVICE_MODEL_DESCRIPTION			√
PARAMETER_DESCRIPTION			√
MANUFACTURER_LABEL			√
DEVICE_LABEL		√	√
FACTORY_DEFAULTS		√	√
BOOT_SOFTWARE_VERSION_ID			√
BOOT_SOFTWARE_VERSION_LABEL			√
DMX_PERSONALITY		√	√
DMX_PERSONALITY_DESCRIPTION			√
SLOT_INFO			√
SLOT_DESCRIPTION			√
SENSOR_DEFINITION			√
SENSOR_VALUE			√
DEVICE_HOURS			√
LAMP_HOURS			√
LAMP_STATE		√	√
PAN_INVERT		√	√
TILT_INVERT		√	√
RESET_DEVICE		√	

√ -Command implemented for the respective parameter ID

## 6.2 Home Position Adjustment

- ▶ To access the control menus, press the [MENU] button.
- ▶ To access the offset menus, long-press the [ENTER] button.
- ▶ Navigate the offset menus, using the [ENTER], [▲ UP] and [▼ DOWN] buttons.
- ▶ To select a menu option or to confirm a selection, press the [ENTER] button.
- ▶ To return to a higher level in the menu structure without making a change, press the [MENU] button, or wait 30 seconds.

OFFSET MENU	VALUES
Pan	-128~127
Tilt	-128~127
Strobe	-128~127
Cto	-128~127
Color	-128~127
Gobo	-128~127
Soften	-128~127
FX Gobo	-128~127
6 Prism	-128~127
8 Prism	-128~127
24 Prism	-128~127
48 Prism	-128~127
R-Prism 1	-128~127
R-Prism 2	-128~127
Focus	-128~127
Frost	-128~127

### Pan

Select **Pan**, press ENTER.

Use UP/DOWN button to select a value between -128 and 127, confirm your selection with ENTER.

To exit the offset menu, press MENU, or wait 30 seconds.

## Tilt

Select **Tilt**, press ENTER.

Use UP/DOWN button to select a value between -128 and 127, confirm your selection with ENTER.

To exit the offset menu, press MENU, or wait 30 seconds.

## Strobe

Select **Strobe**, press ENTER.

Use UP/DOWN button to select a value between -128 and 127, confirm your selection with ENTER.

To exit the offset menu, press MENU, or wait 30 seconds.

## Cto

Select **Cto**, press ENTER.

Use UP/DOWN button to select a value between -128 and 127, confirm your selection with ENTER.

To exit the offset menu, press MENU, or wait 30 seconds.

## Color

Select **Color**, press ENTER.

Use UP/DOWN button to select a value between -128 and 127, confirm your selection with ENTER.

To exit the offset menu, press MENU, or wait 30 seconds.

## Gobo

Select **Gobo**, press ENTER.

Use UP/DOWN button to select a value between -128 and 127, confirm your selection with ENTER.

To exit the offset menu, press MENU, or wait 30 seconds.

## Soften

Select **Soften**, press ENTER.

Use UP/DOWN button to select a value between -128 and 127, confirm your selection with ENTER.

To exit the offset menu, press MENU, or wait 30 seconds.

## FX Gobo

Select **FX Gobo**, press ENTER.

Use UP/DOWN button to select a value between -128 and 127, confirm your selection with ENTER.

To exit the offset menu, press MENU, or wait 30 seconds.

## 6 Prism

Select **6 Prism**, press ENTER.

Use UP/DOWN button to select a value between -128 and 127, confirm your selection with ENTER.

To exit the offset menu, press MENU, or wait 30 seconds.

## 8 Prism

Select **8 Prism**, press ENTER.

Use UP/DOWN button to select a value between -128 and 127, confirm your selection with ENTER.

To exit the offset menu, press MENU, or wait 30 seconds.

## 24 Prism

Select **24 Prism**, press ENTER.

Use UP/DOWN button to select a value between -128 and 127, confirm your selection with ENTER.

To exit the offset menu, press MENU, or wait 30 seconds.

## 48 Prism

Select **48 Prism**, press ENTER.

Use UP/DOWN button to select a value between -128 and 127, confirm your selection with ENTER.

To exit the offset menu, press MENU, or wait 30 seconds.

## R-Prism 1

Select **R-Prism 1**, press ENTER.

Use UP/DOWN button to select a value between -128 and 127, confirm your selection with ENTER.

To exit the offset menu, press MENU, or wait 30 seconds.

## R-Prism 2

Select **R-Prism 2**, press ENTER.

Use UP/DOWN button to select a value between -128 and 127, confirm your selection with ENTER.

To exit the offset menu, press MENU, or wait 30 seconds.

## Focus

Select **Focus**, press ENTER.

Use UP/DOWN button to select a value between -128 and 127, confirm your selection with ENTER.

To exit the offset menu, press MENU, or wait 30 seconds.

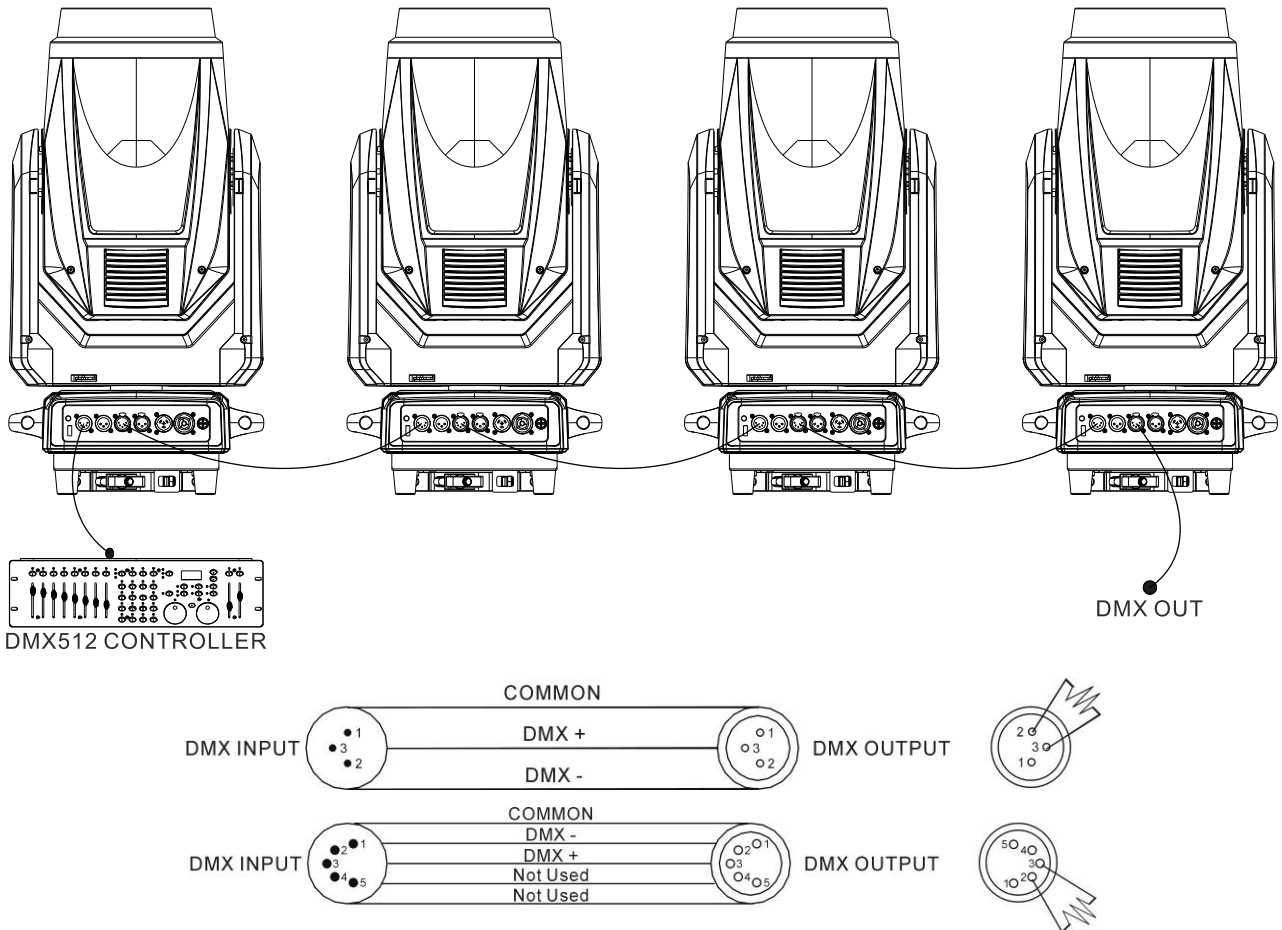
## Frost

Select **Frost**, press ENTER.

Use UP/DOWN button to select a value between -128 and 127, confirm your selection with ENTER.

To exit the offset menu, press MENU, or wait 30 seconds.

## 7.1 DMX512 Connection



1. At last unit, the DMX cable has to be terminated with a terminator. Solder a 120-ohm 1/4W resistor between pin 2(DMX-) and pin 3(DMX+) into a 3-pin XLR-plug and plug it in the DMX-output of the last unit.
2. Connect the unit together in a “daisy chain” by XLR plug cable from the output of the unit to the input of the next unit. The cable can only be used in series and cannot be connected in parallel. DMX 512 is a very high-speed signal. Inadequate or damaged cables, soldered joints or corroded connectors can easily distort the signal and shut down the system.
3. The DMX output and input connectors are pass-through to maintain the DMX circuit, when one of the units’ power is disconnected.
4. Each lighting unit needs to have a DMX address to receive the data by the controller. The address number is between 1-512.



5. The end of the DMX 512 system should be terminated to reduce signal errors.
6. 3 pin XLR connectors are more popular than 5 pins XLR.
  - 3 pin XLR: Pin 1: GND, Pin 2: Negative signal (-), Pin 3: Positive signal (+)
  - 5 pin XLR: Pin 1: GND, Pin 2: Negative signal (-), Pin 3: Positive signal (+), Pin4, Pin5 not used.

## 7.2 Address Setting

If you use a universal DMX controller to control the units, you have to set DMX address between 1 and 512 so that the units can receive DMX signal.

Press the MENU button to access the control menus, select DMX Settings, press the ENTER button to confirm. Use the UP/DOWN button to select DMX Address, press the ENTER button to confirm, the present address will show on the display. Use the UP/DOWN button to adjust the address between 001 and 512, press the ENTER button to store. To exit the menu, press MENU, or wait 30 seconds.

Please refer to the following diagram to address your DMX512 channel for the first 4 units.

Channel Mode	Unit 1 Address	Unit 2 Address	Unit 3 Address	Unit 4 Address
21 channels	1	22	43	64
17 channels	1	18	35	52

## 7.3 DMX512 Configuration

Please control the fixture by referring to the configurations below.

Attentions:

- ▶ The unit will maintain the last condition until reset if you cut-off the DMX signal.
- ▶ For the channel Function, keep the value for about 3 seconds, then the corresponding function will take into effect.

21 Channels (Mode 1):

CHANNEL	VALUE	FUNCTION
1	000-255	PAN 0°→540°
2	000-255	PAN FINE
3	000-255	TILT 0°→260°
4	000-255	TILT FINE
5	000-255	PAN/TILT SPEED Fast to Slow
6	000-255	CTO (When the DMX value of the <b>FX WHEEL</b> channel is between 000 and 007, this channel functions normally) (When the DMX value of the <b>FX WHEEL</b> channel is between 008 and 255, this channel does not work) (When the DMX value of the <b>MACRO EFFECT</b> channel is between 000 and 007, this channel functions normally) (When the DMX value of the <b>MACRO EFFECT</b> channel is between 008 and 255, this channel does not work) 0%→100%
7	000-003 004-007 008-011 012-015 016-019 020-023 024-027 028-031 032-035 036-039 040-043 044-047 048-051 052-055 056-059 060-127 128-189 190-193 194-255	COLOR WHEEL Open Color Filter 1 Color Filter 2 Color Filter 3 Color Filter 4 Color Filter 5 Color Filter 6 Color Filter 7 Color Filter 8 Color Filter 9 Color Filter 10 Color Filter 11 Color Filter 12 Color Filter 13 Color Filter 14 Color Wheel Index Counter-Clockwise Rotation, Fast to Slow Stop Clockwise Rotation, Slow to Fast
8		GOBO WHEEL (When the DMX value of the <b>MACRO EFFECT</b>

		<p>channel is between 000 and 007, this channel functions normally)  (When the DMX value of the <b>MACRO EFFECT</b> channel is between 008 and 255, this channel does not work)</p> <p>000-007                   Open 1  008-010                   Open 2  011-013                   Open 3  014-016                   Open 4  017-019                   Open 5  020-022                   Gobo 1  023-025                   Gobo 2  026-028                   Gobo 3  029-031                   Gobo 4  032-034                   Gobo 5  035-037                   Gobo 6  038-043                   Gobo 7 (big gobo 1)  044-049                   Gobo 8 (big gobo 2)  050-055                   Gobo 9 (big gobo 3)  056-059                   Open 1 Shaking, Slow to Fast  060-063                   Open 2 Shaking, Slow to Fast  064-067                   Open 3 Shaking, Slow to Fast  068-071                   Open 4 Shaking, Slow to Fast  072-075                   Open 5 Shaking, Slow to Fast  076-079                   Gobo 1 Shaking, Slow to Fast  080-083                   Gobo 2 Shaking, Slow to Fast  084-087                   Gobo 3 Shaking, Slow to Fast  088-091                   Gobo 4 Shaking, Slow to Fast  092-095                   Gobo 5 Shaking, Slow to Fast  096-103                   Gobo 6 Shaking, Slow to Fast  104-111                   Gobo 7 (big gobo 1) Shaking, Slow to Fast  112-119                   Gobo 8 (big gobo 1) Shaking, Slow to Fast  120-127                   Gobo 9 (big gobo 1) Shaking, Slow to Fast  128-189                   Clockwise Rotation, Fast to Slow  190-193                   Stop  194-255                   Counter-Clockwise Rotation, Slow to Fast</p>
9		<p style="text-align: center;"><b>FX WHEEL</b></p> <p>(When the DMX value of this channel is between 000 and 007, the <b>CTO</b> channel functions normally)  (When the DMX value of this channel is between 008 and 255, the <b>CTO</b> channel does not work)  (When the DMX value of the <b>MACRO EFFECT</b> channel is between 000 and 007, this channel functions normally)  (When the DMX value of the <b>MACRO EFFECT</b> channel is between 008 and 255, this channel does not work)</p>

	000-007 008-038 039-069 070-100 101-131 132-162 163-193 194-224 225-255	Open Soft Filter 1 Soft Filter 2 FX Gobo 1 FX Gobo 1 Shaking, Slow to Fast FX Gobo 2 FX Gobo 2 Shaking, Slow to Fast FX Gobo 3 FX Gobo 3 Shaking, Slow to Fast
10	000-007 008-038 039-069 070-100 101-131 132-162 163-193 194-224 225-255	<b>PRISM</b> Open Prism L6 Prism C8 Prism C24 Prism T48 Prism L6+Prism C24 Prism L6+Prism T48 Prism C8+Prism C24 Prism C8+Prism T48
11	000-127 128-189 190-193 194-255	<b>PRISM 1 ROTATION (L6&amp;C8)</b> Prism Index Clockwise Rotation, Fast to Slow Stop Counter-Clockwise Rotation, Slow to Fast
12	000-127 128-189 190-193 194-255	<b>PRISM 2 ROTATION (C24&amp;T48)</b> Prism Index Clockwise Rotation, Fast to Slow Stop Counter-Clockwise Rotation, Slow to Fast
13	000-007 008-010 011-013 014-016 017-019 020-022 023-025	<b>MACRO EFFECT</b> (These macro effects are the superposition of the gobo and prism, and the rotation speed of the prism is controlled by the <b>PRISM ROTATION</b> channels) (When the DMX value of this channel is between 000 and 007, the <b>CTO, GOBO WHEEL</b> and <b>FX WHEEL</b> channel function normally) (When the DMX value of this channel is between 008 and 255, the <b>CTO, GOBO WHEEL</b> and <b>FX WHEEL</b> channel do not work) Null Macro Effect 1 Macro Effect 2 Macro Effect 3 Macro Effect 4 Macro Effect 5 Macro Effect 6

026-028	Macro Effect 7
029-031	Macro Effect 8
032-034	Macro Effect 9
035-037	Macro Effect 10
038-040	Macro Effect 11
041-043	Macro Effect 12
044-046	Macro Effect 13
047-049	Macro Effect 14
050-052	Macro Effect 15
053-055	Macro Effect 16
056-058	Macro Effect 17
059-061	Macro Effect 18
062-064	Macro Effect 19
065-067	Macro Effect 20
068-070	Macro Effect 21
071-073	Macro Effect 22
074-076	Macro Effect 23
077-079	Macro Effect 24
080-082	Macro Effect 25
083-085	Macro Effect 26
086-088	Macro Effect 27
089-091	Macro Effect 28
092-094	Macro Effect 29
095-097	Macro Effect 30
098-100	Macro Effect 31
101-103	Macro Effect 32
104-106	Macro Effect 33
107-109	Macro Effect 34
110-112	Macro Effect 35
113-115	Macro Effect 36
116-118	Macro Effect 37
119-121	Macro Effect 38
122-124	Macro Effect 39
125-127	Macro Effect 40
128-130	Macro Effect 41
131-133	Macro Effect 42
134-136	Macro Effect 43
137-139	Macro Effect 44
140-142	Macro Effect 45
143-145	Macro Effect 46
146-148	Macro Effect 47
149-151	Macro Effect 48
152-154	Macro Effect 49
155-157	Macro Effect 50
158-160	Macro Effect 51
161-163	Macro Effect 52
164-166	Macro Effect 53
167-169	Macro Effect 54

	170-172 173-175 176-178 179-181 182-184 185-187 188-190 191-193 194-196 197-199 200-202 203-205 206-208 209-211 212-214 215-217 218-220 221-223 224-226 227-229 230-232 233-235 236-238 239-241 242-244 245-247 248-255	Macro Effect 55 Macro Effect 56 Macro Effect 57 Macro Effect 58 Macro Effect 59 Macro Effect 60 Macro Effect 61 Macro Effect 62 Macro Effect 63 Macro Effect 64 Macro Effect 65 Macro Effect 66 Macro Effect 67 Macro Effect 68 Macro Effect 69 Macro Effect 70 Macro Effect 71 Macro Effect 72 Macro Effect 73 Macro Effect 74 Macro Effect 75 Macro Effect 76 Macro Effect 77 Macro Effect 78 Macro Effect 79 Macro Effect 80 Null
<b>14</b>	000-007 008-255	<b>MACRO EFFECT SPEED</b> Stop Slow to Fast
<b>15</b>	000-007 008-015 016-131 132-167 168-203 204-239 240-247 248-255	<b>STROBE</b> Close Open Strobe from Slow to Fast Fast Close Slow Open from Slow to Fast Fast Open Slow Close from Slow to Fast Pulsation from Slow to Fast Random Strobe from Slow to Fast Open
<b>16</b>	000-255	<b>DIMMER</b> 0%→100%
<b>17</b>	000-255	<b>DIMMER FINE</b>
<b>18</b>	000-255	<b>FOCUS</b> 0%→100%
<b>19</b>	000-255	<b>FOCUS FINE</b>

20	000-007	<b>FROST</b>
	008-255	Close Open
21	000-029	<b>SPECIAL FUNCTION</b> Null
	030-039	Null
	040-049	Null
	050-059	Null
	060-069	Null
	070-079	Blackout While Pan/Tilt Move Enable
	080-089	Blackout While Pan/Tilt Move Disable
	090-099	Blackout While Color Move Enable
	100-109	Blackout While Color Move Disable
	110-119	Blackout While Gobo Move Enable
	120-129	Blackout While Gobo Move Disable
	130-139	Lamp On
	140-149	Reset Pan/Tilt
	150-159	Reset Effect
	160-199	Null
	200-209	Reset All
	210-229	Null
230-239	Lamp off	
240-255	Null	

**17 Channels (Mode 2):**

CHANNEL	VALUE	FUNCTION
1	000-255	<b>PAN</b> 0°→540°
2	000-255	<b>TILT</b> 0°→260°
3	000-255	<b>PAN/TILT SPEED</b> Fast to Slow
4	000-255	<b>CTO</b> (When the DMX value of the <b>FX WHEEL</b> channel is between 000 and 007, this channel functions normally) (When the DMX value of the <b>FX WHEEL</b> channel is between 008 and 255, this channel does not work) (When the DMX value of the <b>MACRO EFFECT</b> channel is between 000 and 007, this channel functions normally) (When the DMX value of the <b>MACRO EFFECT</b> channel is between 008 and 255, this channel does not work) 0%→100%

5	000-003 004-007 008-011 012-015 016-019 020-023 024-027 028-031 032-035 036-039 040-043 044-047 048-051 052-055 056-059 060-127 128-189 190-193 194-255	<p style="text-align: center;"><b>COLOR WHEEL</b></p> <p style="text-align: center;">Open</p> <p style="text-align: center;">Color Filter 1</p> <p style="text-align: center;">Color Filter 2</p> <p style="text-align: center;">Color Filter 3</p> <p style="text-align: center;">Color Filter 4</p> <p style="text-align: center;">Color Filter 5</p> <p style="text-align: center;">Color Filter 6</p> <p style="text-align: center;">Color Filter 7</p> <p style="text-align: center;">Color Filter 8</p> <p style="text-align: center;">Color Filter 9</p> <p style="text-align: center;">Color Filter 10</p> <p style="text-align: center;">Color Filter 11</p> <p style="text-align: center;">Color Filter 12</p> <p style="text-align: center;">Color Filter 13</p> <p style="text-align: center;">Color Filter 14</p> <p style="text-align: center;">Color Wheel Index</p> <p style="text-align: center;">Counter-Clockwise Rotation, Fast to Slow</p> <p style="text-align: center;">Stop</p> <p style="text-align: center;">Clockwise Rotation, Slow to Fast</p>
6	000-007 008-010 011-013 014-016 017-019 020-022 023-025 026-028 029-031 032-034 035-037 038-043 044-049 050-055 056-059 060-063 064-067 068-071 072-075 076-079	<p style="text-align: center;"><b>GOBO WHEEL</b></p> <p style="text-align: center;">(When the DMX value of the <b>MACRO EFFECT</b> channel is between 000 and 007, this channel functions normally)</p> <p style="text-align: center;">(When the DMX value of the <b>MACRO EFFECT</b> channel is between 008 and 255, this channel does not work)</p> <p style="text-align: center;">Open 1</p> <p style="text-align: center;">Open 2</p> <p style="text-align: center;">Open 3</p> <p style="text-align: center;">Open 4</p> <p style="text-align: center;">Open 5</p> <p style="text-align: center;">Gobo 1</p> <p style="text-align: center;">Gobo 2</p> <p style="text-align: center;">Gobo 3</p> <p style="text-align: center;">Gobo 4</p> <p style="text-align: center;">Gobo 5</p> <p style="text-align: center;">Gobo 6</p> <p style="text-align: center;">Gobo 7 (big gobo 1)</p> <p style="text-align: center;">Gobo 8 (big gobo 2)</p> <p style="text-align: center;">Gobo 9 (big gobo 3)</p> <p style="text-align: center;">Open 1 Shaking, Slow to Fast</p> <p style="text-align: center;">Open 2 Shaking, Slow to Fast</p> <p style="text-align: center;">Open 3 Shaking, Slow to Fast</p> <p style="text-align: center;">Open 4 Shaking, Slow to Fast</p> <p style="text-align: center;">Open 5 Shaking, Slow to Fast</p> <p style="text-align: center;">Gobo 1 Shaking, Slow to Fast</p>



	080-083 084-087 088-091 092-095 096-103 104-111 112-119 120-127 128-189 190-193 194-255	Gobo 2 Shaking, Slow to Fast Gobo 3 Shaking, Slow to Fast Gobo 4 Shaking, Slow to Fast Gobo 5 Shaking, Slow to Fast Gobo 6 Shaking, Slow to Fast Gobo 7 (big gobo 1) Shaking, Slow to Fast Gobo 8 (big gobo 1) Shaking, Slow to Fast Gobo 9 (big gobo 1) Shaking, Slow to Fast Clockwise Rotation, Fast to Slow Stop Counter-Clockwise Rotation, Slow to Fast
7	000-007 008-038 039-069 070-100 101-131 132-162 163-193 194-224 225-255	<b>FX WHEEL</b> (When the DMX value of this channel is between 000 and 007, the <b>CTO</b> channel functions normally) (When the DMX value of this channel is between 008 and 255, the <b>CTO</b> channel does not work) (When the DMX value of the <b>MACRO EFFECT</b> channel is between 000 and 007, this channel functions normally) (When the DMX value of the <b>MACRO EFFECT</b> channel is between 008 and 255, this channel does not work) Open Soft Filter 1 Soft Filter 2 FX Gobo 1 FX Gobo 1 Shaking, Slow to Fast FX Gobo 2 FX Gobo 2 Shaking, Slow to Fast FX Gobo 3 FX Gobo 3 Shaking, Slow to Fast
8	000-007 008-038 039-069 070-100 101-131 132-162 163-193 194-224 225-255	<b>PRISM</b> Open Prism L6 Prism C8 Prism C24 Prism T48 Prism L6+Prism C24 Prism L6+Prism T48 Prism C8+Prism C24 Prism C8+Prism T48
9	000-127 128-189 190-193 194-255	<b>PRISM 1 ROTATION (L6&amp;C8)</b> Prism Index Clockwise Rotation, Fast to Slow Stop Counter-Clockwise Rotation, Slow to Fast
10		<b>PRISM 2 ROTATION (C24&amp;T48)</b>

	000-127 128-189 190-193 194-255	Prism Index Clockwise Rotation, Fast to Slow Stop Counter-Clockwise Rotation, Slow to Fast
11	000-007 008-010 011-013 014-016 017-019 020-022 023-025 026-028 029-031 032-034 035-037 038-040 041-043 044-046 047-049 050-052 053-055 056-058 059-061 062-064 065-067 068-070 071-073 074-076 077-079 080-082 083-085 086-088 089-091 092-094 095-097 098-100	<p><b>MACRO EFFECT</b></p> <p>(These macro effects are the superposition of the gobo and prism, and the rotation speed of the prism is controlled by the <b>PRISM ROTATION</b> channels)</p> <p>(When the DMX value of this channel is between 000 and 007, the <b>CTO, GOBO WHEEL</b> and <b>FX WHEEL</b> channel function normally)</p> <p>(When the DMX value of this channel is between 008 and 255, the <b>CTO, GOBO WHEEL</b> and <b>FX WHEEL</b> channel do not work)</p> <p>Null</p> <p>Macro Effect 1</p> <p>Macro Effect 2</p> <p>Macro Effect 3</p> <p>Macro Effect 4</p> <p>Macro Effect 5</p> <p>Macro Effect 6</p> <p>Macro Effect 7</p> <p>Macro Effect 8</p> <p>Macro Effect 9</p> <p>Macro Effect 10</p> <p>Macro Effect 11</p> <p>Macro Effect 12</p> <p>Macro Effect 13</p> <p>Macro Effect 14</p> <p>Macro Effect 15</p> <p>Macro Effect 16</p> <p>Macro Effect 17</p> <p>Macro Effect 18</p> <p>Macro Effect 19</p> <p>Macro Effect 20</p> <p>Macro Effect 21</p> <p>Macro Effect 22</p> <p>Macro Effect 23</p> <p>Macro Effect 24</p> <p>Macro Effect 25</p> <p>Macro Effect 26</p> <p>Macro Effect 27</p> <p>Macro Effect 28</p> <p>Macro Effect 29</p> <p>Macro Effect 30</p> <p>Macro Effect 31</p>

101-103	Macro Effect 32
104-106	Macro Effect 33
107-109	Macro Effect 34
110-112	Macro Effect 35
113-115	Macro Effect 36
116-118	Macro Effect 37
119-121	Macro Effect 38
122-124	Macro Effect 39
125-127	Macro Effect 40
128-130	Macro Effect 41
131-133	Macro Effect 42
134-136	Macro Effect 43
137-139	Macro Effect 44
140-142	Macro Effect 45
143-145	Macro Effect 46
146-148	Macro Effect 47
149-151	Macro Effect 48
152-154	Macro Effect 49
155-157	Macro Effect 50
158-160	Macro Effect 51
161-163	Macro Effect 52
164-166	Macro Effect 53
167-169	Macro Effect 54
170-172	Macro Effect 55
173-175	Macro Effect 56
176-178	Macro Effect 57
179-181	Macro Effect 58
182-184	Macro Effect 59
185-187	Macro Effect 60
188-190	Macro Effect 61
191-193	Macro Effect 62
194-196	Macro Effect 63
197-199	Macro Effect 64
200-202	Macro Effect 65
203-205	Macro Effect 66
206-208	Macro Effect 67
209-211	Macro Effect 68
212-214	Macro Effect 69
215-217	Macro Effect 70
218-220	Macro Effect 71
221-223	Macro Effect 72
224-226	Macro Effect 73
227-229	Macro Effect 74
230-232	Macro Effect 75
233-235	Macro Effect 76
236-238	Macro Effect 77
239-241	Macro Effect 78
242-244	Macro Effect 79

	245-247 248-255	Macro Effect 80 Null
12	000-007 008-255	<b>MACRO EFFECT SPEED</b> Stop Slow to Fast
13	000-007 008-015 016-131 132-167 168-203 204-239 240-247 248-255	<b>STROBE</b> Close Open Strobe from Slow to Fast Fast Close Slow Open from Slow to Fast Fast Open Slow Close from Slow to Fast Pulsation from Slow to Fast Random Strobe from Slow to Fast Open
14	000-255	<b>DIMMER</b> 0%→100%
15	000-255	<b>FOCUS</b> 0%→100%
16	000-007 008-255	<b>FROST</b> Close Open
17	000-029 030-039 040-049 050-059 060-069 070-079 080-089 090-099 100-109 110-119 120-129 130-139 140-149 150-159 160-199 200-209 210-229 230-239 240-255	<b>SPECIAL FUNCTION</b> Null Null Null Null Null Blackout While Pan/Tilt Move Enable Blackout While Pan/Tilt Move Disable Blackout While Color Move Enable Blackout While Color Move Disable Blackout While Gobo Move Enable Blackout While Gobo Move Disable Lamp On Reset Pan/Tilt Reset Effect Null Reset All Null Lamp off Null

## 08/ Error Information

Error codes are shown continuously in the display when the fixture fails and they will not disappear until the fixture is repaired.

### CPU- B/C/D Error

Check whether the 485 (DATA) leads on the PCB board are installed in place or disconnected.

Check whether the related 485 (DATA) signal circuit on the PCB board is damaged.

### Pan Reset Error

Check whether the position of the pan where the magnet is installed falls off or is damaged.

Check whether there are obstacles in the pan operating range.

Check whether the Hall element on the pan is damaged.

Check whether the lead connecting the Hall element on the pan and the PCB board is in poor contact or disconnected.

Check whether the motor on the pan is damaged.

Check whether the related circuit of the motor drive board on the pan is damaged.

### Pan Encode Error

Check whether the encoder on the pan is damaged.

Check whether the lead connecting the encoder on the pan and the PCB board is in poor contact or disconnected.

## **Tilt Reset Error**

Check whether the position of the tilt where the magnet is installed falls off or is damaged.

Check whether there are obstacles in the tilt operating range.

Check whether the Hall element on the tilt is damaged.

Check whether the lead connecting the Hall element on the tilt and the PCB board is in poor contact or disconnected.

Check whether the motor on the tilt is damaged.

Check whether the related circuit of the motor drive board on the tilt is damage.

## **Tilt Encode Error**

Check whether the encoder on the tilt is damaged.

Check whether the lead connecting the encoder on the tilt and the PCB board is in poor contact or disconnected.

## **Pan Encode Not Find**

Check whether the lead connecting the encoder on the pan and the PCB board is in poor contact or disconnected.

## **Tilt Encode Not Find**

Check whether the lead connecting the encoder on the tilt and the PCB board is in poor contact or disconnected.

## Color Reset Error

Check whether the position of the color wheel where the magnet is installed falls off or is damaged.

Check whether there are obstacles in the color wheel operating range.

Check whether the Hall element on the color wheel is damaged.

Check whether the lead connecting the Hall element on the color wheel and the PCB board is in poor contact or disconnected.

Check whether the motor on the color wheel is damaged.

Check whether the related circuit of the motor drive board on the color wheel is damage.

## Gobo Reset Error

Check whether the position of the gobo wheel where the magnet is installed falls off or is damaged.

Check whether there are obstacles in the gobo wheel operating range.

Check whether the Hall element on the gobo wheel is damaged.

Check whether the lead connecting the Hall element on the gobo wheel and the PCB board is in poor contact or disconnected.

Check whether the motor on the gobo wheel is damaged.

Check whether the related circuit of the motor drive board on the gobo wheel is damage.

## FX Gobo Reset Error

Check whether the position of the FX gobo wheel where the magnet is installed falls off or is damaged.

Check whether there are obstacles in the FX gobo wheel operating range.

Check whether the Hall element on the FX gobo wheel is damaged.

Check whether the lead connecting the Hall element on the FX gobo wheel and the PCB board is in poor contact or disconnected.

Check whether the motor on the FX gobo wheel is damaged.

Check whether the related circuit of the motor drive board on the FX gobo wheel is damage.

## Focus Reset Fail

Check whether the position of the focus where the magnet is installed falls off or is damaged.

Check whether there are obstacles in the focus operating range.

Check whether the Hall element on the focus is damaged.

Check whether the lead connecting the Hall element on the focus and the PCB board is in poor contact or disconnected.

Check whether the motor on the focus is damaged.

Check whether the related circuit of the motor drive board on the focus is damage.



## 6 Prism/8 Prism/24 Prism/48 Prism Reset Fail

Check whether the position of the prism where the magnet is installed falls off or is damaged.

Check whether there are obstacles in the prism operating range.

Check whether the Hall element on the prism is damaged.

Check whether the lead connecting the Hall element on the prism and the PCB board is in poor contact or disconnected.

Check whether the motor on the prism is damaged.

Check whether the related circuit of the motor drive board on the prism is damage.

## R-Prism1/2 Reset Fail

Check whether the position of the prism where the magnet is installed falls off or is damaged.

Check whether there are obstacles in the prism operating range.

Check whether the Hall element on the prism is damaged.

Check whether the lead connecting the Hall element on the prism and the PCB board is in poor contact or disconnected.

Check whether the motor on the prism is damaged.

Check whether the related circuit of the motor drive board on the prism is damage.

## **Frost Reset Fail**

Check whether the position of the frost where the magnet is installed falls off or is damaged.

Check whether there are obstacles in the frost operating range.

Check whether the Hall element on the frost is damaged.

Check whether the lead connecting the Hall element on the frost and the PCB board is in poor contact or disconnected.

Check whether the motor on the frost is damaged.

Check whether the related circuit of the motor drive board on the frost is damage.

## **Head Fan 1/2/3/4/5/6/7/8/9 Start Error**

Check whether the fan is not running.

Check whether the fan leads are installed in place or disconnected.

Check whether the fan is damaged.

Check whether there are obstacles in the fan operating range.

## **Head Fan 1/2 Too Low**

Check whether the fan is out of order.

Check whether there are obstacles in the fan operating range.

## **Head Fan 1/2 Too High**

Check whether the fan is out of order.

Check whether the fan circuit on the motherboard breaks down.

## **Base Fan 1/2 Start Error**

Check whether the fan is not running.

Check whether the fan leads are installed in place or disconnected.

Check whether the fan is damaged.

Check whether there are obstacles in the fan operating range.

### **Lamp Hot Power Off**

Check whether the temperature switch of the lamp is off.  
Check whether the fans are still running properly.

### **Ballast Comm Err**

Check whether the output voltage of the ballast reaches 380V.  
Check whether the ballast is damaged.  
Check whether the telecommunication lines are installed in place or disconnected.

### **Lamp On Error**

Check whether the bulb or ballast is faulty.

### **Lamp Over Volte Error**

Check if the lamp is damaged.  
Check if the lamp has reached its lifetime.  
Check if the ballast is damaged.

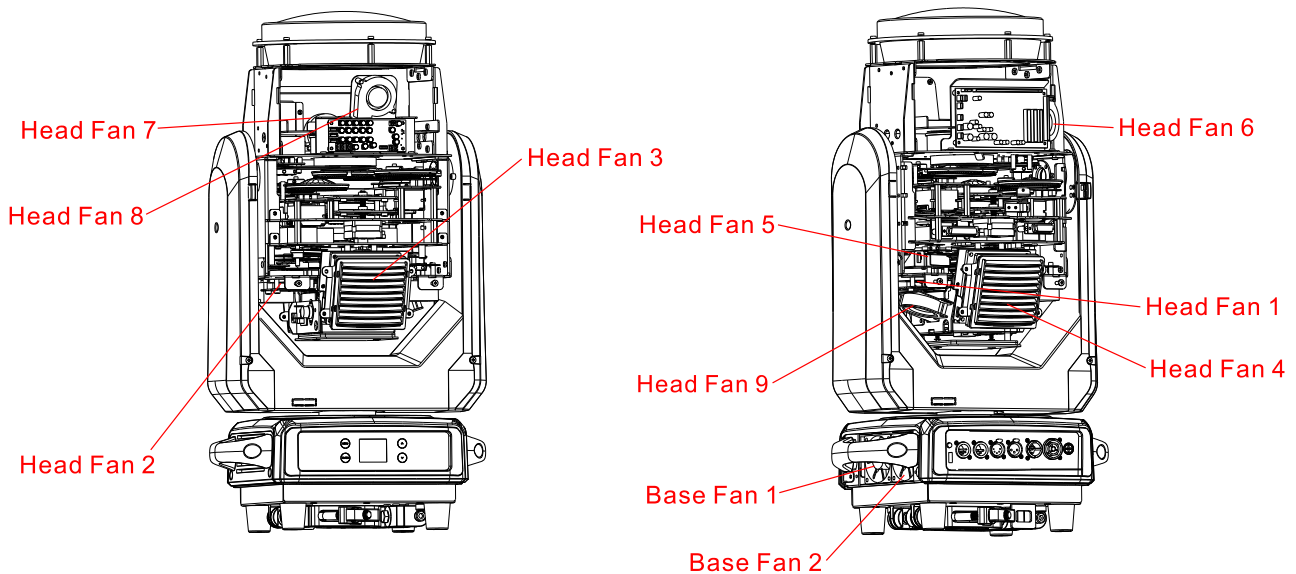
### **Ballast Temp. High**

Check whether the ambient temperature exceeds 45°C.  
Check if the ballast fan speed is too slow.  
Check if the ballast is damaged.

### **Lamp Temp Error**

Check whether the lead connecting the temperature sensor is installed in place or disconnected.

The position of each fan of the fixture:



## 09/ Troubleshooting

Following are a few common problems that may occur during operation. Here are some suggestions for troubleshooting:

### A. The unit does not work, no light and the fan does not work

- ▶ Check the connected power and main fuse.
- ▶ Measure the voltage.
- ▶ Check the power indicator to see whether it can be lit up or not.

### B. Not responding to the DMX controller

- ▶ Check whether the DMX connectors and the DMX cables are connected correctly.
- ▶ Check whether the DMX address is correctly set.
- ▶ If the intermittent DMX signal problem occurs, check whether the XLR socket and the signal cable are well connected.
- ▶ Try it with another DMX controller.
- ▶ Check whether the DMX cables run near or alongside to the high-voltage cables, which may damage or interfere with the signal circuit.

### C. One of the channels is not working well

- ▶ The stepper motor might be damaged or the cable connected to the PCB might be broken.
- ▶ The motor's drive IC on the PCB might be out of condition.

#### D. The lamp is cutting out intermittently

- ▶ The lamp is not working well. Check whether the voltage is too high or too low.
- ▶ The internal temperature may be too high. Replace the cooling fan if necessary.

## 10/ Fixture Cleaning

---

It is absolutely essential that the fixture is kept clean to ensure the maximum light-output and allow the fixture to function reliably throughout its life. The fixture must be cleaned regularly to avoid dust, dirt and smoke-fluid residues building up on or within the fixture. The cleaning frequency depends on the application environment. Clean the fixture immediately if the dust enters it to avoid damage to the optical lens due to excessive dust.

- ▶ A soft lint-free cloth moistened with any good glass cleaning fluid is recommended, under no circumstances should solvents be used.
- ▶ Always dry the parts carefully.
- ▶ Clean the external optical lens at least every 20 days and the internal optical lens every 30 days.



### **Declaration of Conformity**

We declare that our products (lighting equipments) comply with the following specification and bears CE mark in accordance with the provision of the Electromagnetic Compatibility (EMC) Directive 2014/30/EU.

EN 55032: 2015+A1: 2020; EN 55035: 2017+A11: 2020;  
EN IEC 61000-3-2: 2019+A1: 2021;  
EN 61000-3-3: 2013+A1: 2019+A2: 2021.

**&**

### **Harmonized Standard**

EN IEC 60598-2-17: 2018;  
EN IEC 60598-1: 2021/A11: 2022.  
Safety of household and similar electrical appliances  
Part 1: General requirements and tests

### **Certifications**

cETLus Approved (Control #5000057)



---

[www.acme.com.cn](http://www.acme.com.cn)