



IMPORTANT! Please read this technical bulletin completely before proceeding with any procedures contained herein. Only trained and qualified technicians should perform any service.

| | |
|----------------------|---|
| RELEASE DATE: | Nov 30th 2023 |
| REVISION NUMBER: | 1 |
| PRODUCT(S) AFFECTED: | LYRA (XA 1000 BSWF IP) |
| SUBJECT: | SAFETY CABLE ANCHOR POINT RECOMMENDATION |

INTRODUCTION

ACME Lighting is recommending that all owners and users of the LYRA luminaire update the way the safety cables are attached to the base of the unit when hanging to provide additional safety.

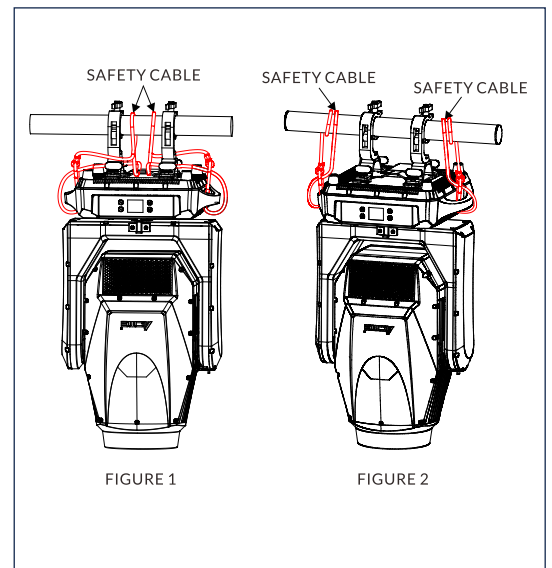
This information will be updated in the LYRA luminaire’s user manual.

ACTION / PROCEDURE

As described in the procedure below, two (2) safety cables are now recommended to adequately support the fixture in the event safety cables are needed to prevent the fixture from falling.

PROCEDURE:

- Step 1: Install provided omega brackets and suitable clamps (by others) on fixture.
- Step 2: Hang fixture by attaching and securing hanging clamps to truss.
- Step 3: Starting on one side of fixture base, loop and wrap safety cable (by others) through fixture base handle and route and wrap through center bracket on fixture base (**FIGURE 1**). Or pull the safety cable (by others) through the handle and around the truss (**FIGURE 2**).
- Step 4: Wrap safety cable around truss and secure.
- Step 5: Once complete, repeat Steps 1 through 4 on opposite side of fixture base with a second safety cable.



CONTACT INFORMATION

If you have any questions regarding this bulletin, please contact ACME Lighting technical support at support@acme.com.cn.