

ORION

XP-260 BEAM

FEATURES

- Diameter of lens: 152 mm
- Lamp life: 6,000 hours*
- Motorized focus
- 1 x color wheel with 14 colors plus open and rainbow effect
- 1 x static gobo wheel with 16 gobos plus open
- 2 x prisms: 8 facet Prism + 24 facet Prism, rotatable in both direction and overlayable
- Outstanding color macro effect
- Smooth dimming from 0-100%
- Independent frost effect
- Outstanding strobe effect with variable speed



TECHNICAL SPECIFICATIONS

Specifications

- Light Sources: Philips MSD Platinum 12R LL
- Color Temperature: 8,000 K
- Beam Angle: 2°

Control

- DMX Channel: 13/16 Channels
- Protocols: DMX512, RDM
- Firmware Upgrade via DMX link or USB disk

Pan/Tilt

- Pan/Tilt movement: 540°/ 270°
- Pan/Tilt Resolution: 16-bit

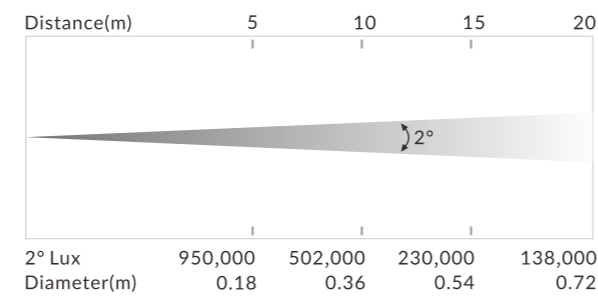
Construction

- Display: LCD display
- Data In/Out: 3-pin or 5-pin XLR
- Power In/Out: Power Connector in/out
- Protection Rating: IP20

Electrical and Physical

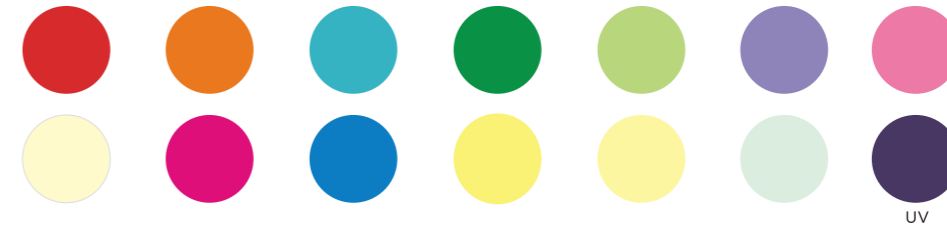
- Input Voltage Range: 100-240V~ 50/60Hz
- Power Consumption: 375 W
- Dimensions: 350 x 253 x 565mm (13.8" x 10.0" x 22.2")
- F/C Dimensions: 718 x 458 x 795 mm (28.3" x 18.0" x 31.3")
- Weight: 18 kg (39.7 lbs)
- 69 kg (152.1 lbs)(Dual Loader Case)

PHOTOMETRICS DIAGRAM

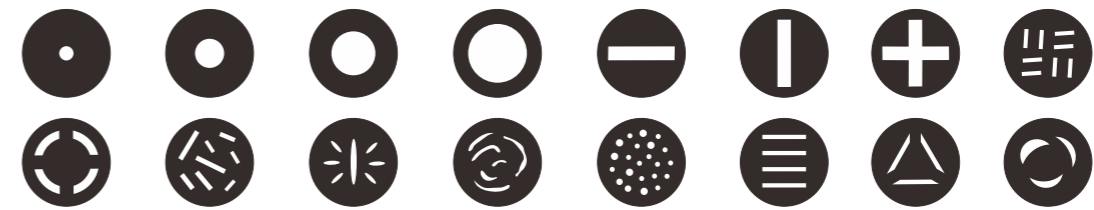


FUNCTIONAL EFFECT

Color Wheel



Static Gobo Wheel



8-Facet Prism



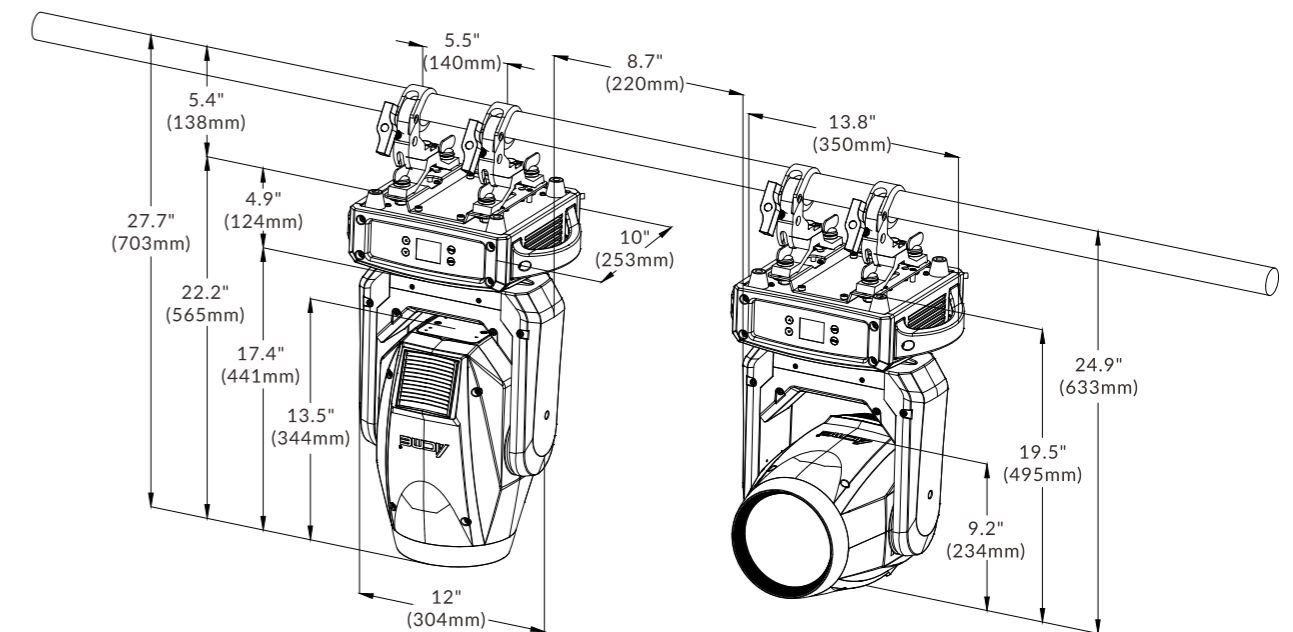
24-Facet Prism



Frost Filter



DIMENSIONS



(*Lamp's working life depends on the cycle ratio of its usage pattern and other environmental factors, such as dust, oil, temperature, humidity, etc.)



CONCERT / TOURING

CONCERT / TOURING