

GEIST BEAM

XA 500 BEAM

FEATURES

- Fits a powerful 500W LED engine and its front lens is 220mm diameter
- CRI RA>70
- Output achieves 320,000 lux at 5 meters
- Linear CMY color mixing
- Lamp color temperature: 7,000K
- Variable CTO: 2,700K-7,000K
- Excellent color macro effect
- Rainbow effect rotating in both directions
- Color wheel: 1 color wheel with 8 colors
- Static gobo wheel: 1 static gobo wheel with 10 gobos
- Rotating gobo wheel: 1 rotating gobo wheel with 7 gobos, convenient replacment
- Prisms: 8-facet prism and 6-facet linear prism, can rotate in both directions and overlay uses
- Beam angle: 3°
- Frost: can be used independent
- Outstanding strobe effect with variable speed
- 0-100% smooth dimming
- Flicker free management
- Dust-proof and oil-proof design



TECHNICAL SPECIFICATIONS

Light Source

- Light Sources: Powerful 500W LED engine
- LED life expectancy: 20,000 hours*

Optical System

- Advanced optical system to ensure image quality, clear and sharp
- High - efficiency optical system
- Beam Angle: 3°

Control and Program

- 4-buttons touch panel
- Display: Color display
- Protocols: DMX512, RDM, Art-Net, sACN
- DMX Protocol modes: 2
- Control channels: 17/24
- Firmware Upgrade: Upgrade via DMX link or USB disk
- Pan/Tilt Resolution: 16 bit

Movement

- Pan movement: 540°
- Tilt movement: 260°
- Automatic Pan/Tilt position correction
- Fixation: Pan/Tilt lock

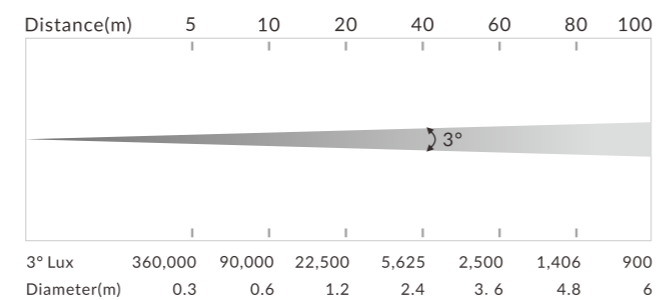
Electrical and Connectors

- Power supply with electronic auto-ranging
- Input voltage range: 100-240V~ 50/60 Hz
- Power consumption: 700 W
- Power In/Out: Power Connector in/out
- Date In/Out: 3-pin or 5-pin XLR, RJ45 connector in/out

Specification

- Fixture Specification: 750 x 350 x 223 mm (14.3" x 9.9" x 25.5")
- Weight: 28.9 kg (64 lbs)
- F/C Dimensions: 890 x 840 x 575 mm (35.0" x 33.1" x 22.6")
- Weight: 101.3 kg (223.5lbs)(with F/C, 2 in 1 standard)

PHOTOMETRICS DIAGRAM



FUNCTIONAL EFFECT

CMY+CTO



Color Wheel



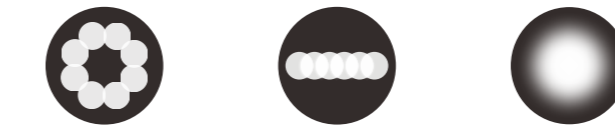
Static Gobo Wheel



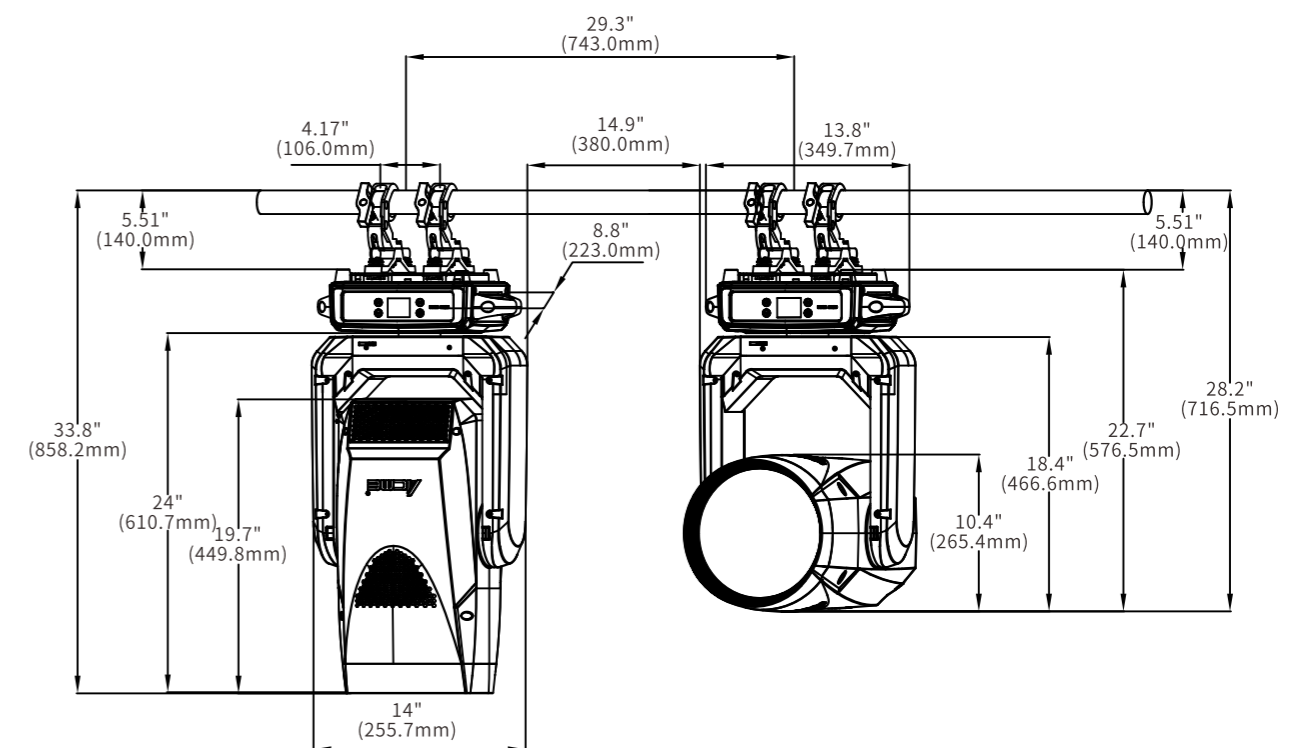
Rotating Gobo Wheel



8-Facet Prism 6-Facet Linear Prism Frost Filter



DIMENSIONS



(*Light source's working life depends on the cycle ratio of its usage pattern and other environmental factors, such as dust, oil, temperature, humidity, etc.)

