

WILLOW 200

BSW 200

FEATURES

- Diameter of frontal lens: 102mm
- Motorized focus
- 1 x color wheel with 8 colors plus open
- 1 x static gobo wheel with 7 gobos plus open
- 1 x rotating gobo wheel with 6 gobos plus open
- 1 x prism: 3-facets prism, rotatable in both directions
- Outstanding color macro effect
- Smooth dimming from 0-100%
- Independent frost effect
- Outstanding color macro effect and strobe effect with variable speed
- Combines Beam, Spot and Wash in one compact unit



TECHNICAL SPECIFICATIONS

Specifications

- Light Source: 1 x 180W LED
- Beam Angle: 2°/4°/6°/8°/10°/12°/19° (with zoom lens)
- Spot Angle: Static Gobo: 10°/15°(with zoom lens)
Rotating Gobo: 10°/16°(with zoom lens)
- Wash Angle: 15°~28°

Control

- DMX Channel: 18
- Protocols: DMX512, RDM
- Firmware Upgrade via DMX and USB link

Pan/Tilt

- Pan/Tilt movement: 540°/ 270°
- Pan/Tilt Resolution: 16 bit

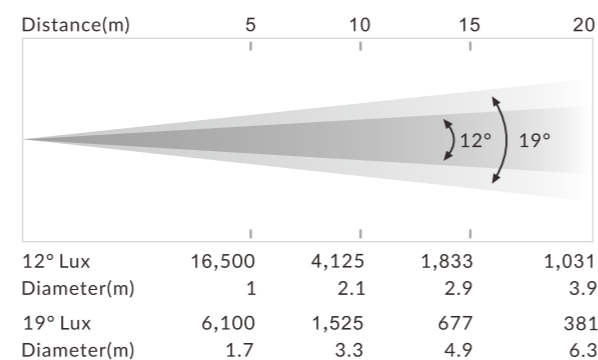
Construction

- Display: OLED display
- Data In/Out: 3-pin or 5-pin XLR
- Power in/out: Power Connector in/out
- Protection Rating: IP20

Electrical and Physical

- Input voltage range: **180-240V~ 50/60Hz**
- Power Consumption: 235W
- Dimensions: 275x174x439 mm (10.8"x6.9"x17.3")
- Carton Dimension: 380x350x510 mm (15.0"x13.8"x20.1")
- Weight: 10.3kg (23lbs)
13.5kg(29lbs)(Include loader case, single Loader Case)

PHOTOMETRICS DIAGRAM



FUNCTIONAL EFFECT

Color Wheel



Static Gobo Wheel



Rotating Gobo Wheel



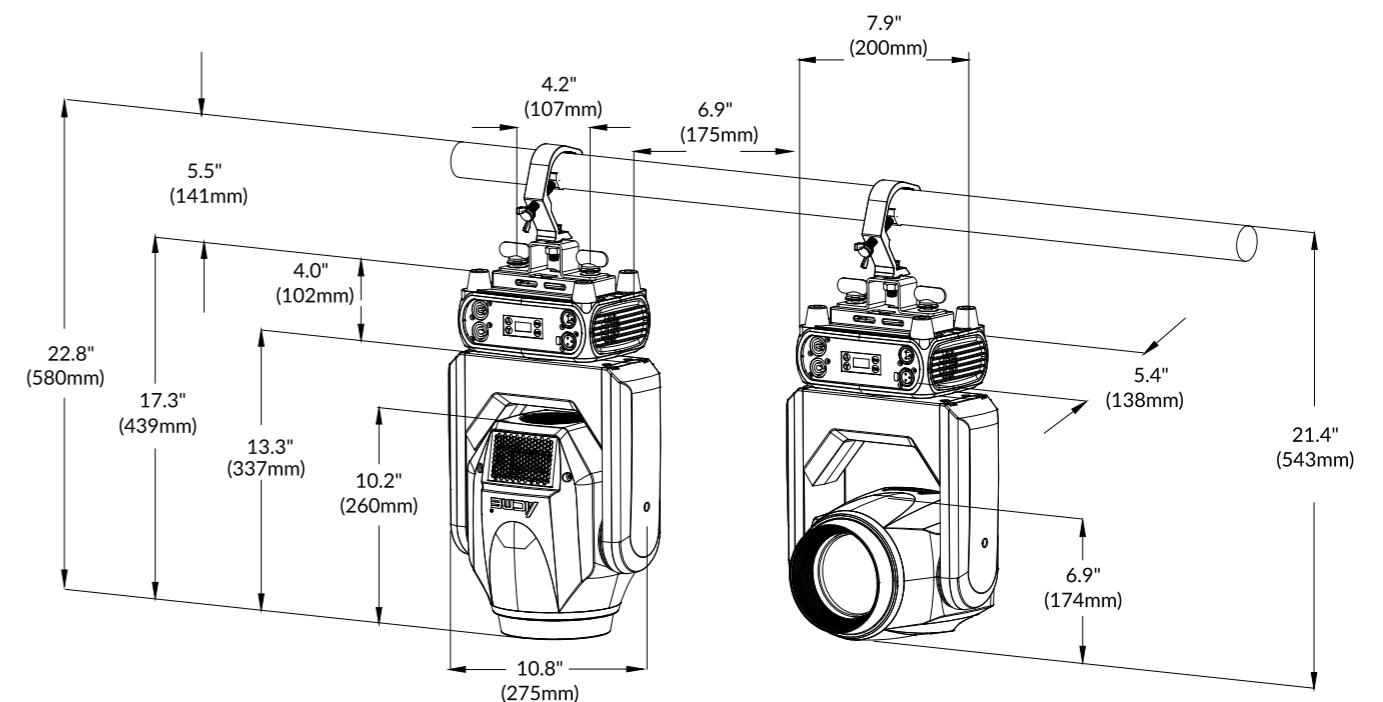
3-Facet Prism



Frost Lens



DIMENSIONS



PROJECT INSTALLATION

PROJECT INSTALLATION