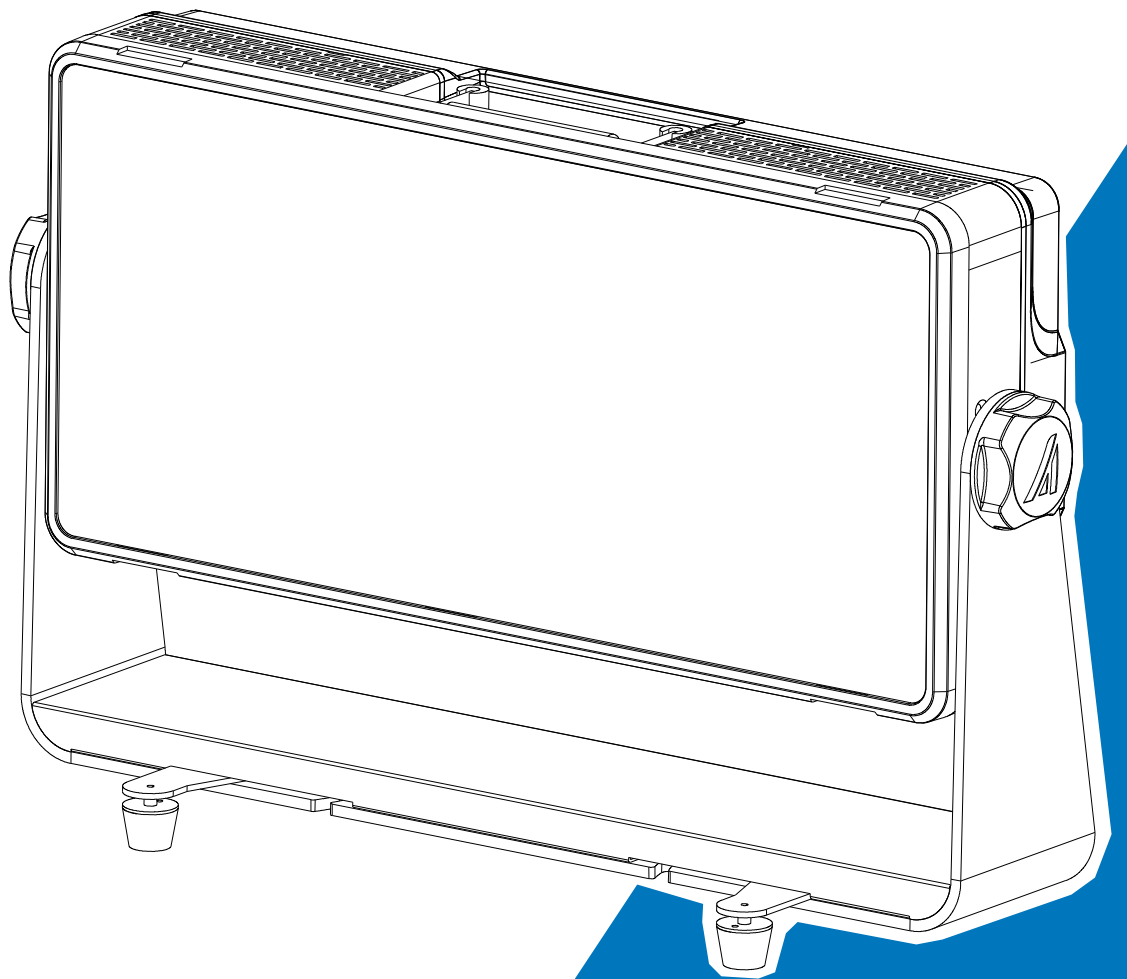


# Acme®

## THUNDERSTRUCK



  
C LISTED US  
Intertek  
5000057

## User Manual

Please read the instruction carefully before use

# CONTENTS

01/ Safety Instructions.....	2
02/ Technical Specifications .....	6
03/ Control Panel.....	8
04/ Fixture Installation.....	9
05/ How To Set The Unit.....	11
5.1 Main Functions .....	11
5.2 Home Position Adjustment .....	20
06/ Control By Universal DMX Controller.....	23
6.1 DMX512 Connection.....	23
6.2 Address Setting.....	24
6.3 DMX512 Configuration .....	25
07/ Error Information .....	36
08/ Troubleshooting .....	37
09/ Fixture Cleaning.....	37

## 01/ Safety Instructions



Please read the instruction carefully which includes important information about the installation, usage and maintenance.

### WARNING

Please keep this User Guide for future consultation. If you sell the unit to another user, be sure that they also receive this instruction manual.

#### Important:

**Damages caused by the disregard of this user manual are not subject to warranty. The dealer will not accept liability for any resulting defects or problems.**

- Unpack and check carefully to ensure that there is no transportation damage before using the unit.
- This product is suitable for wet locations. Do not immerse in water.
- DO install and operate by qualified operator.
- DO NOT allow children to operate the fixture.
- Use safety chain when fixing the unit. Handle the unit by carrying its base instead of head only.
- The unit must be installed in a location with adequate ventilation, at least 50cm from adjacent surfaces.
- Be sure that no ventilation slots is blocked, otherwise the unit will be overheated.
- Before operation, ensure that you are connecting this product to the proper voltage in accordance with the specifications in this manual or on the product's specification label.
- It's important to ground the yellow/green conductor to earth in order to avoid electric shock.
- Minimum ambient temperature TA: 0°C. Maximum ambient temperature TA: 40°C. Do not operate this product at a lower or higher temperature.
- DO NOT connect the device to any dimmer pack.
- Keep flammable materials away from the fixture while operating to avoid fire hazard.
- Make sure the power cord is not crimped or damaged; replace it immediately if damaged.
- Avoid any flammable liquids, water or metal from entering the unit. Once it happens, cut off the mains power immediately.
- DO NOT operate in a dirty or dusty environment. DO clean the fixture regularly.

- DO NOT touch any wire during operation as there might be a hazard of electric shock.
- Avoid entanglement of the power cord with other wires.
- In the event of serious operating problem, stop using the unit immediately.
- Never turn on and off the unit time after time.
- The housing, the lenses, or the ultraviolet filter must be replaced if they are visibly damaged.
- DO NOT open the housing as there are no user serviceable parts inside.
- DO NOT attempt to operate this unit if it becomes damaged. DO NOT attempt any repairs yourself. Repairs carried out by unskilled people can lead to damage or malfunction. Please contact the nearest authorized technical assistance center if needed.
- Disconnect this product from its power source before servicing.
- DO use the original packaging if the device is to be transported.
- Avoid direct eye exposure to the light source while the product is on.
- DO NOT operate this product if you see damage on the housing, shields, or cables. Have the damaged parts replaced by an authorized technician at once.

## 01/ Consignes de sécurité



Veillez lire attentivement les instructions qui contiennent des informations importantes sur l'installation, l'utilisation et l'entretien.

### ATTENTION

Veillez conserver ce guide de l'utilisateur pour une consultation future. Si vous vendez l'appareil à un autre utilisateur, assurez-vous qu'il reçoive également ce manuel d'instructions.

#### Important:

**Les dommages causés par le non-respect de ce manuel d'utilisation ne sont pas couverts par la garantie. Le revendeur n'acceptera aucune responsabilité pour les défauts ou problèmes qui en résultent.**

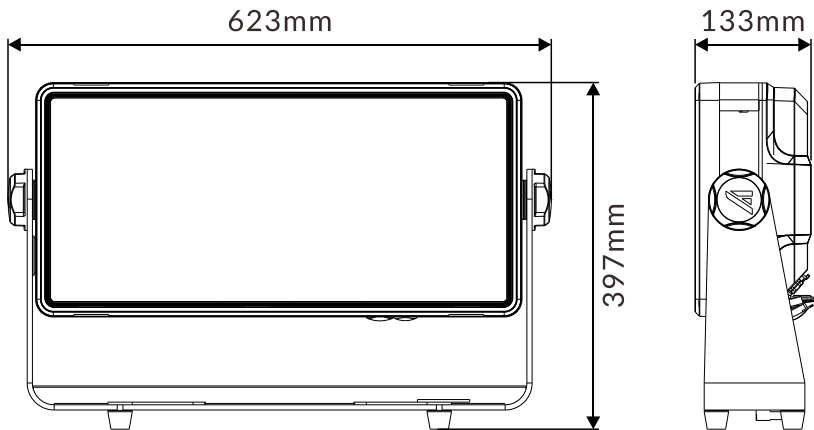
- Déballez et vérifiez soigneusement qu'il n'y a pas de dommages dus au transport avant d'utiliser l'appareil.
- Ce produit convient aux endroits humides. Ne pas immerger dans l'eau.
- L'installation et la mise en fonctionnement doit être effectué par un opérateur qualifié.
- NE PAS permettre aux enfants d'utiliser l'appareil.
- Utilisez une chaîne de sécurité lors de la fixation de l'unité. Manipulez l'appareil en portant sa base au lieu de la tête uniquement.
- L'unité doit être installée dans un endroit avec une ventilation adéquate, à au moins 50cm des surfaces adjacentes.
- Assurez-vous qu'aucune fente d'aération du luminaire n'est obstruée, sinon il risque de surchauffer.
- Avant toute utilisation, assurez-vous que vous connectez ce luminaire à la tension appropriée conformément aux spécifications que vous trouverez dans ce manuel ou sur l'étiquette des spécifications collée sur la base du luminaire.
- Il est important de relier le file jaune/vert à la terre afin d'éviter tout choc électrique.
- Température ambiante minimale TA: 0°C. Température ambiante maximale TA: 40°C. N'utilisez pas ce luminaire à des températures inférieures ou supérieures.
- NE PAS connecter le luminaire à un pack de gradateurs.
- Gardez les matériaux inflammables à l'écart du luminaire pendant le fonctionnement pour éviter tout risque d'incendie.

- Assurez-vous que le cordon d'alimentation n'est pas pincé ou endommagé; remplacez-le immédiatement s'il est endommagé.
- Évitez que des liquides inflammables, de l'eau ou du métal ne pénètrent dans l'appareil. Si cela se produit, coupez immédiatement l'alimentation secteur.
- NE PAS utiliser le luminaire dans un environnement sale ou poussiéreux. Cette appareil doit être nettoyer régulièrement.
- NE touchez AUCUN file pendant le fonctionnement car il pourrait y avoir un risque de choc électrique.
- Évitez l'enchevêtrement du cordon d'alimentation avec d'autres fils.
- En cas de problème de fonctionnement grave, arrêtez immédiatement d'utiliser l'appareil.
- N'allumez et n'éteignez jamais ce luminaire à maintes reprises.
- Le boîtier, les lentilles ou le filtre ultraviolet doivent être remplacés s'ils sont visiblement endommagés.
- NE PAS ouvrir le boîtier car il ne contient aucune pièce réparable par l'utilisateur.
- NE PAS mettre ce luminaire en fonctionnement s'il est endommagé. N'effectuez pas de réparations vous-même. Les réparations ne doivent être effectuées par des personnes non qualifiées, cela peut entraîner des dommages ou des dysfonctionnements. Veuillez contacter le centre d'assistance technique agréé le plus proche si nécessaire.
- Débranchez ce produit du secteur avant de procéder à l'entretien.
- Utiliser l'emballage d'origine si l'appareil doit être transporté.
- Évitez une exposition directe des yeux à la source lumineuse lorsque le produit est allumé.
- N'utilisez PAS ce produit si vous constatez des dommages sur le boîtier, les blindages ou les câbles. Faites remplacer immédiatement les pièces endommagées par un technicien agréé.

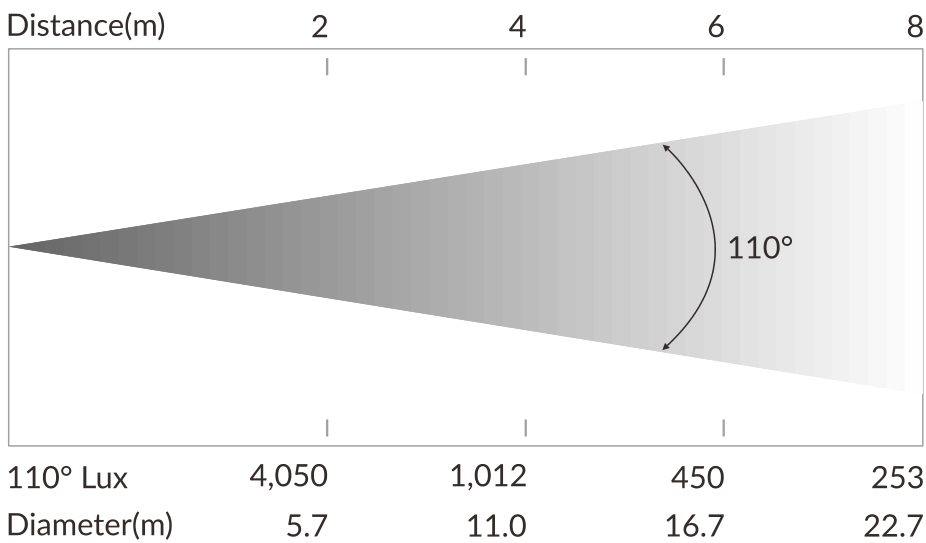
## 02/ Technical Specifications

<b>Power Voltage</b>	100-240V~ 50/60Hz	
<b>Power Consumption</b>	1500W	
<b>Light Source</b>	2304x0.8W RGBW LED	
<b>Beam Angle</b>	110°	
<b>Field Angle</b>	152°	
<b>Dimmer/Strobe</b>	0-100% smooth dimming; High output strobe effect	
<b>Control</b>	<b>DMX Channel</b>	4 Channel (8 Bit)
		8 Channel (16 Bit)
		8 Channel
		9 Channel
		52 Channel
		1 Pixel
		2V Pixel
		2H Pixel
		3 Pixel
		4 Pixel
		6V Pixel
		6H Pixel
	12 Pixel	
	<b>Control Mode</b>	DMX512
		RDM
		Art-Net
sACN		
<b>Firmware Upgrade</b>	Firmware Upgrade via DMX link	
<b>Construction</b>	<b>Display</b>	OLED display
	<b>Data In/Out</b>	5-pin IP XLR (3-pin IP XLR is optional)
		RJ45 Connector
	<b>Power In/Out</b>	Waterproof Power Connector in/out
<b>Protection Rating</b>	IP65	

<b>Features</b>	12 x RGBW LED zones with individual control	
	Outstanding color mixing effect	
	IP65 protection rating, which can be used outdoors all the year round	
<b>Dimensions</b>	623x133x397 mm	24.5"x5.2"x15.6"
<b>Weight</b>	16.5 kg	35.3 lbs

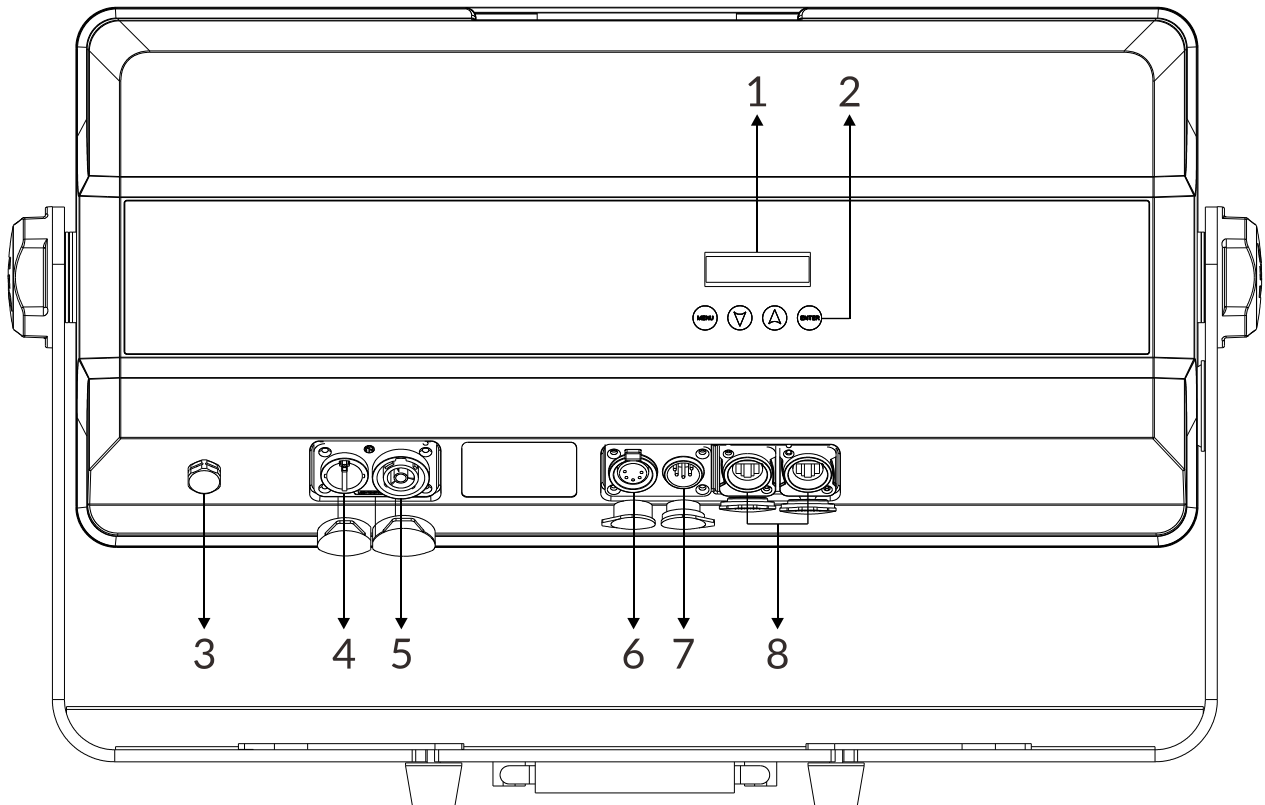


**Photometric Diagram:**





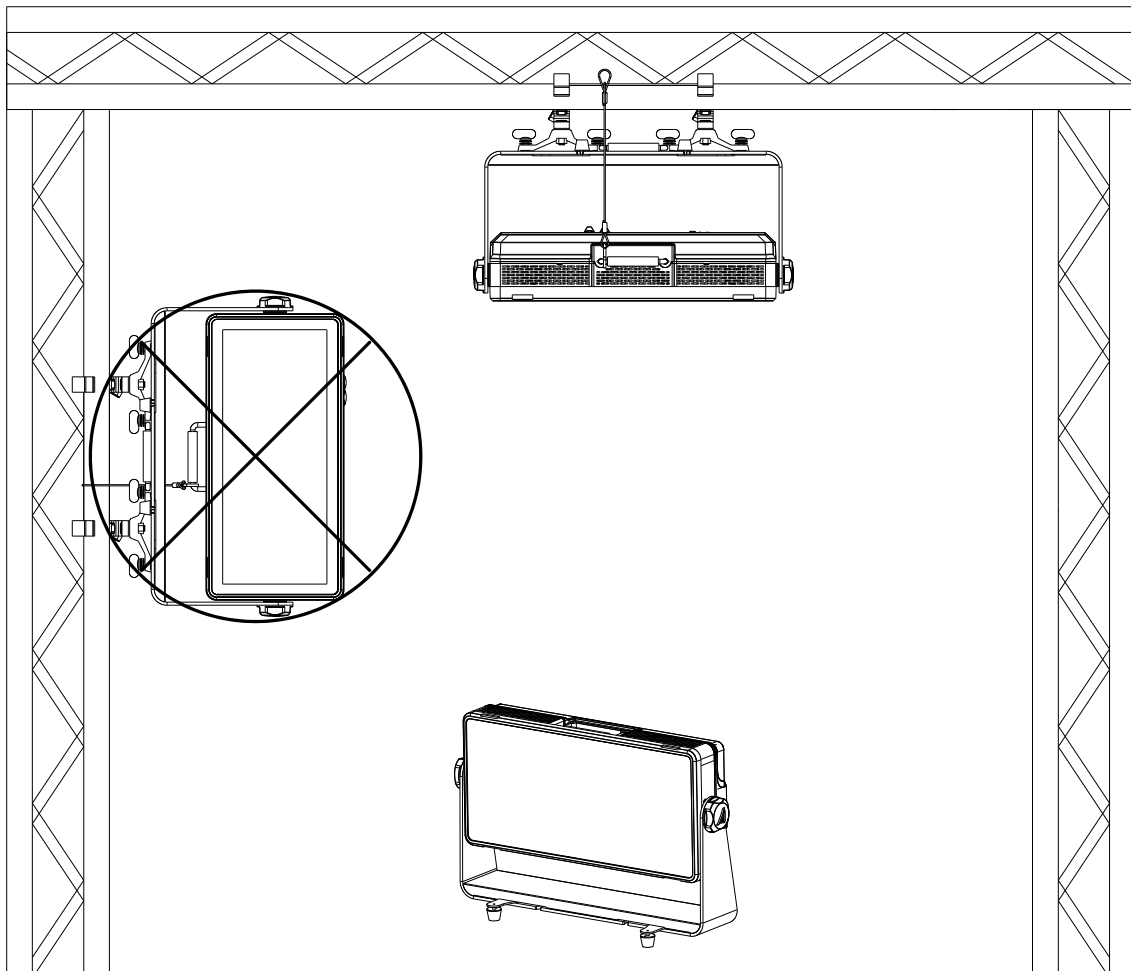
## 03/ Control Panel



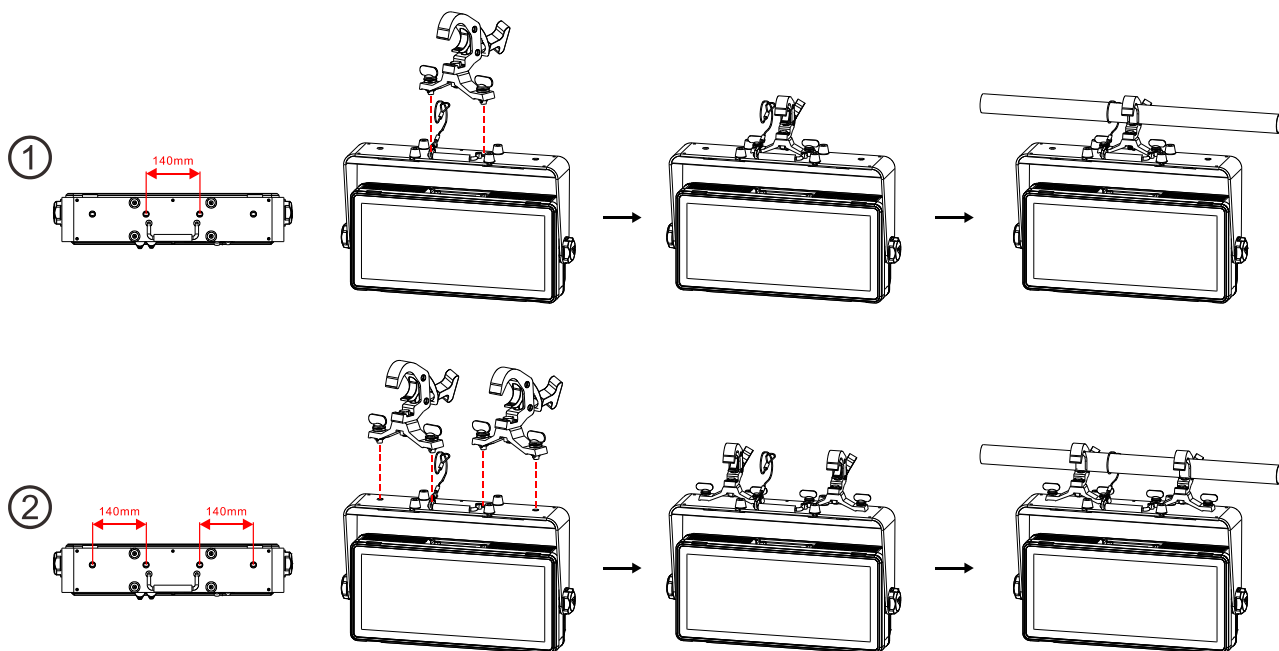
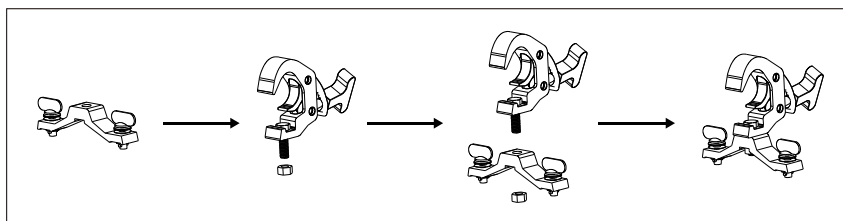
1. Display	To show the various menus and the selected function	
2. Buttons	MENU	To enter into menu or leave the menu
	▲ UP	To go backward to move up in the menu
	▼ DOWN	To go forward to move down in the menu
	ENTER	To perform the desired functions
3. RELEASE VALVE		
4. POWER IN	To connect to supply power	
5. POWER OUT	To connect to the next fixture	
6. DMX OUT	For DMX512 link, use 5-pin XLR cable to link the next units to output DMX signal (3-pin XLR cable is optional)	
7. DMX IN	For DMX512 link, use 5-pin XLR cable to link the unit and DMX controller to input DMX signal (3-pin XLR cable is optional)	
8. ETHERNET	Transfers fixture's information to a main controller	

## 04/ Fixture Installation

- ▶ DO install and operate by qualified operator. Fixture(s) should be installed in areas outside walking paths, seating areas, or away from areas where unauthorized personnel might reach the fixture by hand. NEVER stand directly below the fixture(s) when rigging, removing or servicing.
- ▶ Always ensure that the unit is firmly fixed to avoid vibration and slipping off during operation. Ensure that the trussing or area of installation must be able to hold 10 times the weight without any deformation. Always attach a safety cable that can hold at least 12 times the weight of the fixture whenever installing this fixture in a suspended environment to ensure that the fixture will not fall if the clamp fails.
- ▶ This fixture is fully operational in two different mounting positions: hanging on trussing, or standing on the floor. DO NOT mount this fixture sideways on trussing. Always use and install a safety cable as a safety measure to prevent accidental damage and/or injury in the event the clamp fails.



Steps for installing omega brackets for the fixture:



## 05/ How To Set The Unit

### 5.1 Main Functions

- ▶ To access the control menus, press the [MENU] button.
- ▶ Navigate the menu structure, using the [ENTER], [▲ UP] and [▼ DOWN] buttons.
- ▶ To select a menu option or to confirm a selection, press the [ENTER] button.
- ▶ To return to a higher level in the menu structure without making a change, press the [MENU] button, or wait 30 seconds.

The screen will be automatically locked if there is no operation for a long time, and can be unlocked by long-pressing the [MENU] button.

The main functions are shown below:

MENU	SUBMENU	OPTIONS				
DMX Setting	DMX Address	1-509 (4 CH (8 bit))				
		1-505 (8 CH (16 bit))				
		1-505 (8 CH)				
		1-504 (9 CH)				
		1-461 (52 CH)				
		1-501 (1 Pixel)				
		1-497 (2V Pixel) (Default=1)				
		1-497 (2H Pixel)				
		1-493 (3 Pixel)				
		1-489 (4 Pixel)				
		1-481 (6V Pixel)				
		1-481 (6H Pixel)				
	1-457 (12 Pixel)					
	Ethernet Setup	Network	IP Address	XXX.XXX.XXX.XXX		
			Subnet Mask	XXX.XXX.XXX.XXX		
		Art-Net Settings	Net	0-127	(Default =0)	
			Sub-Net	0-15	(Default =0)	
			Universe	0-15	(Default =0)	

MENU	SUBMENU	OPTIONS			
		sACN Settings	sACN Universe	1-32000	(Default =1)
			sACN Priority	0-200	(Default =100)
	Connect Option	Auto			
		DMX			
		Art-Net			
sACN					
Channel Mode	4 Channel (8 Bit)				
	8 Channel (16 Bit)				
	8 Channel				
	9 Channel				
	52 Channel				
	1 Pixel				
	2V Pixel				
	2H Pixel				
	3 Pixel				
	4 Pixel				
	6V Pixel				
	6H Pixel				
	12 Pixel				
DMX Last State	Blackout				
	Hold				
Dimmer Curve	Optical Linear				
	Square Law				
	Inverse Square				
	S Curve				
Dimmer Speed	Fast				
	Smooth				
White Balance	All pixel	Red	125-255		
	1 pixel	Green	125-255		
	.....	Blue	125-255		
	12 pixel	White	125-255		
Language	English				
	Chinese				

MENU	SUBMENU	OPTIONS	
Manual Test	Red	0-255	
	Green	0-255	
	Blue	0-255	
	White	0-255	
	Intensity	0-255	
	Duration	0-255	
	Rate	0-255	
Auto Test			
Temperature			
Fixture Time			
Power Mode	Standard		
	Quiet		
RDM UID			
Error Logs	Fixture Errors		
	Reset Error Log	No	
		Yes	
Software Version			
Factory Reset	No		
	Yes		

## DMX Setting

Enter the control menu and select **DMX Setting**, press ENTER. Use the UP/DOWN button to select **DMX Address**, **Ethernet Setup** or **Connect Option**.

## DMX Address

Select **DMX Address**, press ENTER.

Use UP/DOWN button to select an address, confirm your selection with ENTER.

CHANNEL MODE	DMX ADDRESS
4 Channel (8 Bit)	1-509
8 Channel (16 Bit)	1-505
8 Channel	1-505
9 Channel	1-504
52 Channel	1-461
1 Pixel	1-501
2V Pixel	1-497
2H Pixel	1-497
3 Pixel	1-493
4 Pixel	1-489
6V Pixel	1-481
6H Pixel	1-481
12 Pixel	1-457

To exit the menu, press MENU, or wait 30 seconds.

## Ethernet Setup

Select **Ethernet Setup**, press ENTER.

Use UP/DOWN button to select **Network**, **Art-Net Settings** or **sACN Settings**, confirm your selection with ENTER.

To exit the menu, press MENU, or wait 30 seconds.

## Network

Select **Network**, press ENTER.

Use UP/DOWN button to select **IP Address** or **Subnet Mask**, confirm your selection with ENTER.

To exit the menu, press MENU, or wait 30 seconds.

## Art-Net Settings

Select **Art-Net Settings**, press ENTER.

Use UP/DOWN button to select **Net**, **Sub-Net** or **Universe**, confirm your selection with ENTER.

To exit the menu, press MENU, or wait 30 seconds.

## sACN Settings

Select **sACN Settings**, press ENTER.

Use UP/DOWN button to select **sACN Universe** or **sACN Priority**, confirm your selection with ENTER.

To exit the menu, press MENU, or wait 30 seconds.

## Connect Option

Select **Connect Option**, press ENTER.

Use UP/DOWN button to select **Auto**, **DMX**, **Art-Net** or **sACN**, confirm your selection with ENTER.

To exit the menu, press MENU, or wait 30 seconds.

## Channel Mode

Select **Channel Mode**, press ENTER.

Use UP/DOWN button to select between **4 Channel (8 Bit)**, **8 Channel (16 Bit)**, **8 Channel**, **9 Channel**, **52 Channel**, **1 Pixel**, **2V Pixel**, **2H Pixel**, **3 Pixel**, **4 Pixel**, **6V Pixel**, **6H Pixel** and **12 Pixel**, confirm your selection with ENTER.

To exit the menu, press MENU, or wait 30 seconds.



## DMX Last State

Select **DMX Last State**, press ENTER.

Use UP/DOWN button to select one of the following status:

**Blackout** (Fixture blacks out if DMX signal stops)

**Hold** (The device continues to operate in the current mode with the last active DMX values until the signal returns)

Confirm your selection with ENTER.

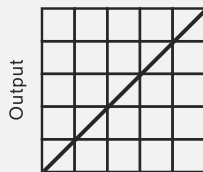
To exit the menu, press MENU, or wait 30 seconds.

## Dimmer Curve

Select **Dimmer Curve**, press ENTER.

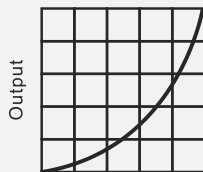
Use UP/DOWN button to select **Optical Linear**, **Square Law**, **Inverse Square** or **S Curve**, confirm your selection with ENTER.

### Dimmer Modes



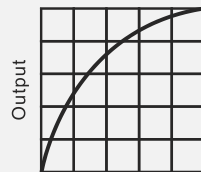
DMX %

Optically Linear



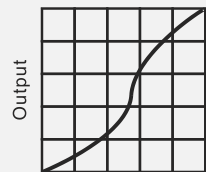
DMX %

Square Law



DMX %

Inverse Square Law



DMX %

S-curve

To exit the menu, press MENU, or wait 30 seconds.

## Dimmer Speed

Select **Dimmer Speed**, press ENTER.

Use UP/DOWN button to select **Fast** or **Smooth**, confirm your selection with ENTER.

To exit the menu, press MENU, or wait 30 seconds.

## White Balance

Select **White Balance**, press ENTER.

Use UP/DOWN button to select **All pixel, 1 pixel.....** or **12 pixel**, confirm your selection with ENTER.

Use UP/DOWN button to select **Red, Green, Blue** or **White**, confirm your selection with ENTER.

Use UP/DOWN button to select a value between **125** and **255**, confirm your selection with ENTER.

To exit the menu, press MENU, or wait 30 seconds.

## Language

Select **Language**, press ENTER.

Use UP/DOWN button to select **English** or **Chinese**, confirm your selection with ENTER.

To exit the menu, press MENU, or wait 30 seconds.

## Manual Test

Select **Manual Test**, press ENTER.

Use UP/DOWN button to select **Red, Green, Blue, White, Intensity, Duration** or **Rate**, confirm your selection with ENTER.

Use UP/DOWN button to select a value between **0** and **255**, confirm your selection with ENTER.

To exit the menu, press MENU, or wait 30 seconds.

## Auto Test

Select **Auto Test**, press ENTER.

The device immediately performs an automatic self-test.

To end the automatic self-test and exit the menu, press MENU, or wait 30 seconds.

## Temperature

Select **Temperature**, press ENTER.

The device temperature is displayed.

To exit the menu, press MENU, or wait 30 seconds.

## Fixture Time

Select **Fixture Time**, press ENTER.

The operating hours is displayed.

To exit the menu, press MENU, or wait 30 seconds.

## Power Mode

Select **Power Mode**, press ENTER.

Use UP/DOWN button to select **Standard** or **Quiet**, confirm your selection with ENTER.

To exit the menu, press MENU, or wait 30 seconds.

## RDM UID

Select **RDM UID**, press ENTER.

The RDM UID is displayed.

To exit the menu, press MENU, or wait 30 seconds.

## Error Logs

Select **Error Logs**, press ENTER.

Use UP/DOWN button to select **Fixture Errors**, confirm your selection with ENTER.

The error list is displayed.

Use UP/DOWN button to select **Reset Error Log**, confirm your selection with ENTER.

If you wish to reset the relevant error logs, select **Yes**. If you do not wish to reset anything, select **No**. Confirm your selection with ENTER.

If you select **Yes**, use UP/DOWN button to set the password 050, confirm your selection with ENTER. The relevant error logs are reset.

To exit the menu, press MENU, or wait 30 seconds.

## Software Version

Select **Software Version**, press ENTER.

The firmware version is displayed.

To exit the menu, press MENU, or wait 30 seconds.

## Factory Reset

Select **Factory Reset**, press ENTER.

If you wish to reset the device to the factory settings, select **Yes**. If you do not wish to reset anything, select **No**. Confirm your selection with ENTER.

To exit the menu, press MENU, or wait 30 seconds.

**RDM functions:** Certain menus of the device and functions can be called up via the RDM protocol.

The parameter IDs are implemented as follows for different commands:

Parameter ID	Command 'Discovery'	Command 'Set'	Command 'Get'
DISC_UNIQUE_BRANCH	✓		
DISC_MUTE	✓		
DISC_UN_MUTE	✓		
DEVICE_INFO			✓
SUPPORTED_PARAMETERS			✓
SOFTWARE_VERSION_LABEL			✓
DMX_START_ADDRESS		✓	✓
IDENTIFY_DEVICE		✓	✓
DEVICE_MODEL_DESCRIPTION			✓
PARAMETER_DESCRIPTION			✓
MANUFACTURER_LABEL			✓
DEVICE_LABEL		✓	✓
FACTORY_DEFAULTS		✓	✓
BOOT_SOFTWARE_VERSION_ID			✓
BOOT_SOFTWARE_VERSION_LABEL			✓
DMX_PERSONALITY		✓	✓
DMX_PERSONALITY_DESCRIPTION			✓
SLOT_INFO			✓
SLOT_DESCRIPTION			✓
SENSOR_DEFINITION			✓
SENSOR_VALUE			✓
DEVICE_HOURS			✓
RESET_DEVICE		✓	

✓ -Command implemented for the respective parameter ID

## 5.2 Home Position Adjustment

- ▶ To access the control menus, press the [MENU] button.
- ▶ To access the offset menus, long-press the [ENTER] button.
- ▶ Navigate the offset menus, using the [ENTER], [▲ UP] and [▼ DOWN] buttons.
- ▶ To select a menu option or to confirm a selection, press the [ENTER] button.
- ▶ To return to a higher level in the menu structure without making a change, press the [MENU] button, or wait 30 seconds.

OFFSET MENU	VALUES
Red	0-255
Green	0-255
Blue	0-255
White	0-255
Red 1	0-255
Green 1	0-255
Blue 1	0-255
White 1	0-255
.....	.....
Red 12	0-255
Green 12	0-255
Blue 12	0-255
White 12	0-255

### Red

Select **Red**, press ENTER.

Use UP/DOWN button to select a value between 0 and 255, confirm your selection with ENTER.

To exit the offset menu, press MENU, or wait 30 seconds.

### Green

Select **Green**, press ENTER.

Use UP/DOWN button to select a value between 0 and 255, confirm your selection with ENTER.

To exit the offset menu, press MENU, or wait 30 seconds.

## Blue

Select **Blue**, press ENTER.

Use UP/DOWN button to select a value between 0 and 255, confirm your selection with ENTER.

To exit the offset menu, press MENU, or wait 30 seconds.

## White

Select **White**, press ENTER.

Use UP/DOWN button to select a value between 0 and 255, confirm your selection with ENTER.

To exit the offset menu, press MENU, or wait 30 seconds.

## Red 1

Select **Red 1**, press ENTER.

Use UP/DOWN button to select a value between 0 and 255, confirm your selection with ENTER.

To exit the offset menu, press MENU, or wait 30 seconds.

## Green 1

Select **Green 1**, press ENTER.

Use UP/DOWN button to select a value between 0 and 255, confirm your selection with ENTER.

To exit the offset menu, press MENU, or wait 30 seconds.

## Blue 1

Select **Blue 1**, press ENTER.

Use UP/DOWN button to select a value between 0 and 255, confirm your selection with ENTER.

To exit the offset menu, press MENU, or wait 30 seconds.

## White 1

Select **White 1**, press ENTER.

Use UP/DOWN button to select a value between 0 and 255, confirm your selection with ENTER.

To exit the offset menu, press MENU, or wait 30 seconds.

.....

## Red 12

Select **Red 12**, press ENTER.

Use UP/DOWN button to select a value between 0 and 255, confirm your selection with ENTER.

To exit the offset menu, press MENU, or wait 30 seconds.

## Green 12

Select **Green 12**, press ENTER.

Use UP/DOWN button to select a value between 0 and 255, confirm your selection with ENTER.

To exit the offset menu, press MENU, or wait 30 seconds.

## Blue 12

Select **Blue 12**, press ENTER.

Use UP/DOWN button to select a value between 0 and 255, confirm your selection with ENTER.

To exit the offset menu, press MENU, or wait 30 seconds.

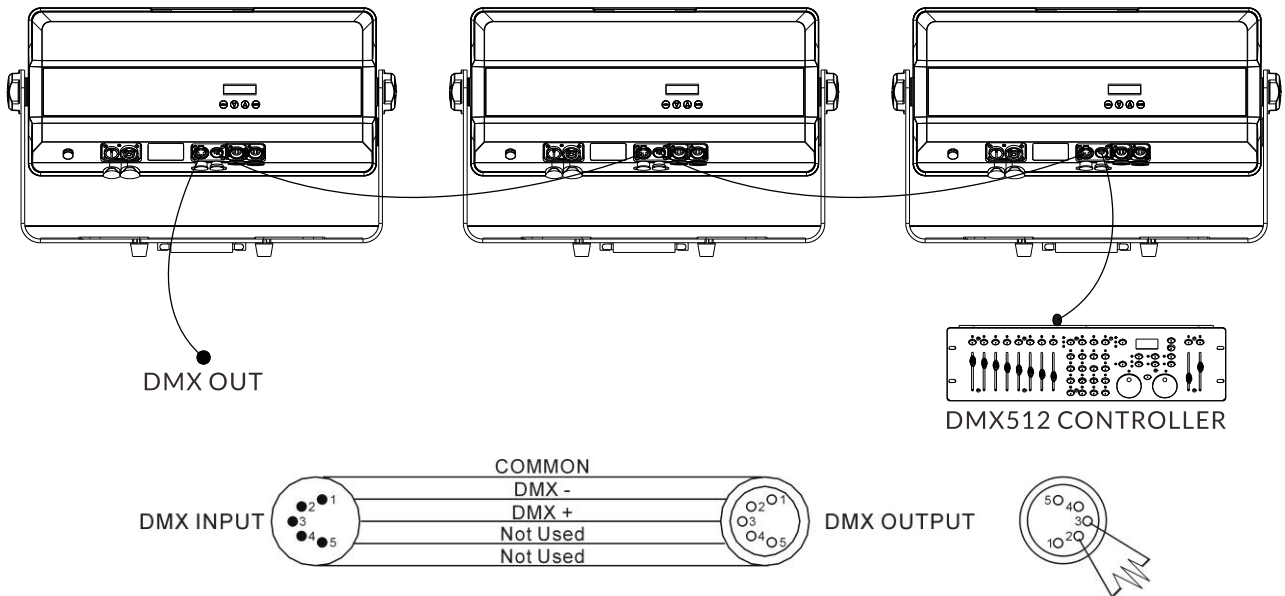
## White 12

Select **White 12**, press ENTER.

Use UP/DOWN button to select a value between 0 and 255, confirm your selection with ENTER.

To exit the offset menu, press MENU, or wait 30 seconds.

### 6.1 DMX512 Connection



1. At last unit, the DMX cable has to be terminated with a terminator. Solder a 120-ohm 1/4W resistor between pin 2(DMX-) and pin 3(DMX+) into a 3-pin XLR-plug and plug it in the DMX-output of the last unit.
2. Connect the unit together in a “daisy chain” by XLR plug cable from the output of the unit to the input of the next unit. The cable can only be used in series and cannot be connected in parallel. DMX 512 is a very high-speed signal. Inadequate or damaged cables, soldered joints or corroded connectors can easily distort the signal and shut down the system.
3. The DMX output and input connectors are pass-through to maintain the DMX circuit, when one of the units' power is disconnected.
4. Each lighting unit needs to have a DMX address to receive the data by the controller. The address number is between 1-512.
5. The end of the DMX 512 system should be terminated to reduce signal errors.
6. When wiring 3 pin XLR connectors: Pin 1: GND, Pin 2: Negative signal (-), Pin 3: Positive signal (+). When wiring 5 pin XLR connectors: Pin 1: GND, Pin 2: Negative signal (-), Pin 3: Positive signal (+), Pin4, Pin5 not used.



## 6.2 Address Setting

If you use a universal DMX controller to control the units, you have to set DMX address between 1 and 512 so that the units can receive DMX signal.

Press the MENU button to access the control menus, select DMX Settings, press the ENTER button to confirm. Use the UP/DOWN button to select DMX Address, press the ENTER button to confirm, the present address will show on the display. Use the UP/DOWN button to adjust the address between 001 and 512, press the ENTER button to store. To exit the menu, press MENU, or wait 30 seconds.

Please refer to the following diagram to address your DMX512 channel for the first 4 units.

Channel Mode	Unit 1 Address	Unit 2 Address	Unit 3 Address	Unit 4 Address
4 Channel (8 Bit)	1	5	9	13
8 Channel (16 Bit)	1	9	17	25
8 Channel	1	9	17	25
9 Channel	1	10	19	28
52 Channel	1	53	105	157
1 Pixel	1	13	25	37
2V Pixel	1	17	33	49
2H Pixel	1	17	33	49
3 Pixel	1	21	41	61
4 Pixel	1	25	49	73
6V Pixel	1	33	65	97
6H Pixel	1	33	65	97
12 Pixel	1	57	113	169

## 6.3 DMX512 Configuration

Please control the fixture by referring to the configurations below.

### Attentions:

- ▶ The unit will maintain the last condition until reset if you cut-off the DMX signal.
- ▶ For the channel Function, keep the value for about 3 seconds, then the corresponding function will take into effect.

### 4 Channels (8 Bit):

CHANNEL	VALUE	FUNCTION
1	000-255	RED 0%→100%
2	000-255	GREEN 0%→100%
3	000-255	BLUE 0%→100%
4	000-255	WHITE 0%→100%

### 8 Channels (16 Bit):

CHANNEL	VALUE	FUNCTION
1	000-255	RED 0%→100%
2	000-255	RED FINE
3	000-255	GREEN 0%→100%
4	000-255	GREEN FINE
5	000-255	BLUE 0%→100%
6	000-255	BLUE FINE
7	000-255	WHITE 0%→100%
8	000-255	WHITE FINE

8 Channels:

CHANNEL	VALUE	FUNCTION
1	000-255	<b>RED</b> 0%→100%
2	000-255	<b>GREEN</b> 0%→100%
3	000-255	<b>BLUE</b> 0%→100%
4	000-255	<b>WHITE</b> 0%→100%
5	000-255	<b>DIMMER</b> 0%→100%
6	000-255	<b>STROBE DURATION</b>
7	000-005 006-255	<b>STROBE RATE</b> Blackout Strobe from Slow to Fast
8	000-005 006-050 051-100 101-150 151-200 201-255	<b>STROBE</b> Null Ramp up Ramp down Ramp up-down Lightning Random

9 Channels:

CHANNEL	VALUE	FUNCTION
1	000-255	<b>RED</b> 0%→100%
2	000-255	<b>GREEN</b> 0%→100%
3	000-255	<b>BLUE</b> 0%→100%
4	000-255	<b>WHITE</b> 0%→100%
5	000-255	<b>DIMMER</b> 0%→100%
6	000-005 006-127 128-130 131-136 137-145	<b>STROBE</b> Open Strobe from Slow to Fast Open Ramp up: Slow Speed Ramp up: Medium Speed

	146-154 155-163 164-172 173-181 182-190 191-199 200-208 209-217 218-226 227-235 236-241 242-247 248-255	Ramp up: Fast Speed Ramp down: Slow Speed Ramp down: Medium Speed Ramp down: Fast Speed Ramp up-down: Slow Speed Ramp up-down: Medium Speed Ramp up-down: Fast Speed Lightning: Slow Speed Lightning: Medium Speed Lightning: Fast Speed Random: Slow Speed Random: Medium Speed Random: Fast Speed
7	000-005 006-011 012-017 018-023 024-029 030-035 036-041 042-047 048-053 054-059 060-065 066-071 072-077 078-083 084-089 090-095 096-101 102-107 108-113 114-119 120-125 126-131 132-137 138-143 144-149 150-155 156-161 162-167 168-173 174-179 180-185 186-191 192-197	<b>COLOR MACRO</b> Null Color 1 Color 2 Color 3 Color 4 Color 5 Color 6 Color 7 Color 8 Color 9 Color 10 Color 11 Color 12 Color 13 Color 14 Color 15 Color 16 Color 17 Color 18 Color 19 Color 20 Color 21 Color 22 Color 23 Color 24 Color 25 Color 26 Color 27 Color 28 Color 29 Color 30 Color 31 Color 32

	198-202 203-207 208-211 212-216 217-221 222-225 226-230 231-235 236-239 240-244 245-249 250-255	Seven colors change in one zone: slow speed Seven colors change in one zone: medium speed Seven colors change in one zone: fast speed Seven colors change in six zones: slow speed Seven colors change in six zones: medium speed Seven colors change in six zones: fast speed Seven colors change randomly in one zone: slow speed Seven colors change randomly in one zone: medium speed Seven colors change randomly in one zone: fast speed Seven colors change randomly in six zones: slow speed Seven colors change randomly in six zones: medium speed Seven colors change randomly in six zones: fast speed
8	000-021 022-030 031-039 040-048 049-057 058-066 067-075 076-084 085-093 094-102 103-111 112-120 121-129 130-138 139-147 148-156 157-165 166-174 175-183 184-192 193-201 202-210 211-219 220-228 229-237 238-246 247-255	<b>MACRO EFFECT SELECT</b> Null Effect 1 Effect 2 Effect 3 Effect 4 Effect 5 Effect 6 Effect 7 Effect 8 Effect 9 Effect 10 Effect 11 Effect 12 Effect 13 Effect 14 Effect 15 Effect 16 Effect 17 Effect 18 Effect 19 Effect 20 Effect 21 Effect 22 Effect 23 Effect 24 Effect 25 Effect 26
9	000-127 128-255	<b>MACRO EFFECT SPEED</b> Normal, Slow to Fast Inversion, Slow to Fast

52 Channels:

CHANNEL	VALUE	FUNCTION
1	000-255	<b>RED 1</b> 0%→100%
2	000-255	<b>GREEN 1</b> 0%→100%
3	000-255	<b>BLUE 1</b> 0%→100%
4	000-255	<b>WHITE 1</b> 0%→100%
5	000-255	<b>RED 2</b> 0%→100%
6	000-255	<b>GREEN 2</b> 0%→100%
7	000-255	<b>BLUE 2</b> 0%→100%
8	000-255	<b>WHITE 2</b> 0%→100%
9	000-255	<b>RED 3</b> 0%→100%
10	000-255	<b>GREEN 3</b> 0%→100%
11	000-255	<b>BLUE 3</b> 0%→100%
12	000-255	<b>WHITE 3</b> 0%→100%
13	000-255	<b>RED 4</b> 0%→100%
14	000-255	<b>GREEN 4</b> 0%→100%
15	000-255	<b>BLUE 4</b> 0%→100%
16	000-255	<b>WHITE 4</b> 0%→100%
17	000-255	<b>RED 5</b> 0%→100%
18	000-255	<b>GREEN 5</b> 0%→100%
19	000-255	<b>BLUE 5</b> 0%→100%
20	000-255	<b>WHITE 5</b> 0%→100%
21		<b>RED 6</b>

	000-255	0%→100%
22	000-255	<b>GREEN 6</b> 0%→100%
23	000-255	<b>BLUE 6</b> 0%→100%
24	000-255	<b>WHITE 6</b> 0%→100%
25	000-255	<b>RED 7</b> 0%→100%
26	000-255	<b>GREEN 7</b> 0%→100%
27	000-255	<b>BLUE 7</b> 0%→100%
28	000-255	<b>WHITE 7</b> 0%→100%
29	000-255	<b>RED 8</b> 0%→100%
30	000-255	<b>GREEN 8</b> 0%→100%
31	000-255	<b>BLUE 8</b> 0%→100%
32	000-255	<b>WHITE 8</b> 0%→100%
33	000-255	<b>RED 9</b> 0%→100%
34	000-255	<b>GREEN 9</b> 0%→100%
35	000-255	<b>BLUE 9</b> 0%→100%
36	000-255	<b>WHITE 9</b> 0%→100%
37	000-255	<b>RED 10</b> 0%→100%
38	000-255	<b>GREEN 10</b> 0%→100%
39	000-255	<b>BLUE 10</b> 0%→100%
40	000-255	<b>WHITE 10</b> 0%→100%
41	000-255	<b>RED 11</b> 0%→100%
42	000-255	<b>GREEN 11</b> 0%→100%

43	000-255	<b>BLUE 11</b> 0%→100%
44	000-255	<b>WHITE 11</b> 0%→100%
45	000-255	<b>RED 12</b> 0%→100%
46	000-255	<b>GREEN 12</b> 0%→100%
47	000-255	<b>BLUE 12</b> 0%→100%
48	000-255	<b>WHITE 12</b> 0%→100%
49	000-255	<b>DIMMER</b> 0%→100%
50	000-255	<b>STROBE DURATION</b>
51	000-005 006-255	<b>STROBE RATE</b> Blackout Strobe from Slow to Fast
52	000-005 006-050 051-100 101-150 151-200 201-255	<b>STROBE</b> Null Ramp up Ramp down Ramp up-down Lightning Random



Pixel Channels:

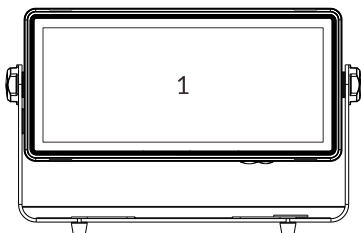
ZONES	CHANNEL	VALUE	FUNCTION
1 ZONE	1	000-255	<b>RED</b> 0%→100%
	2	000-255	<b>GREEN</b> 0%→100%
	3	000-255	<b>BLUE</b> 0%→100%
	4	000-255	<b>WHITE</b> 0%→100%
	5	000-255	<b>DIMMER</b> 0%→100%
	6	000-254 255	<b>STROBE DURATION</b> 0-650ms (50Hz AC) Hyper
	7	000-005 006-255	<b>STROBE RATE</b> Blackout 0.5-25Hz (50Hz AC); 0.6-30Hz (60Hz AC)
	8	000-005 006-042 043-085 086-128 129-171 172-214 215-240 241-245 246-250 251-255	<b>STROBE</b> Null Ramp up Ramp down Ramp up-down Random Lightning Spikes Burst (use STROBE RATE at full) "Meltdown" Random Pixels w/ Solid Background "Meltdown" Random Pixels w/ Burst Background
	9	000-255	<b>RED 1</b> 0%→100%
	10	000-255	<b>GREEN 1</b> 0%→100%
	11	000-255	<b>BLUE 1</b> 0%→100%
	12	000-255	<b>WHITE 1</b> 0%→100%
2 ZONES V 2 ZONES H	13	000-255	<b>RED 2</b> 0%→100%
	14	000-255	<b>GREEN 2</b> 0%→100%
	15	000-255	<b>BLUE 2</b> 0%→100%
	16		<b>WHITE 2</b>

		000-255	0%→100%
<b>3 ZONES</b>	<b>17</b>	000-255	<b>RED 3</b> 0%→100%
	<b>18</b>	000-255	<b>GREEN 3</b> 0%→100%
	<b>19</b>	000-255	<b>BLUE 3</b> 0%→100%
	<b>20</b>	000-255	<b>WHITE 3</b> 0%→100%
<b>4 ZONES</b>	<b>21</b>	000-255	<b>RED 4</b> 0%→100%
	<b>22</b>	000-255	<b>GREEN 4</b> 0%→100%
	<b>23</b>	000-255	<b>BLUE 4</b> 0%→100%
	<b>24</b>	000-255	<b>WHITE 4</b> 0%→100%
<b>6 ZONES V 6 ZONES H</b>	<b>25</b>	000-255	<b>RED 5</b> 0%→100%
	<b>26</b>	000-255	<b>GREEN 5</b> 0%→100%
	<b>27</b>	000-255	<b>BLUE 5</b> 0%→100%
	<b>28</b>	000-255	<b>WHITE 5</b> 0%→100%
	<b>29</b>	000-255	<b>RED 6</b> 0%→100%
	<b>30</b>	000-255	<b>GREEN 6</b> 0%→100%
	<b>31</b>	000-255	<b>BLUE 6</b> 0%→100%
	<b>32</b>	000-255	<b>WHITE 6</b> 0%→100%
<b>12 ZONES</b>	<b>33</b>	000-255	<b>RED 7</b> 0%→100%
	<b>34</b>	000-255	<b>GREEN 7</b> 0%→100%
	<b>35</b>	000-255	<b>BLUE 7</b> 0%→100%
	<b>36</b>	000-255	<b>WHITE 7</b> 0%→100%
	<b>37</b>	000-255	<b>RED 8</b> 0%→100%

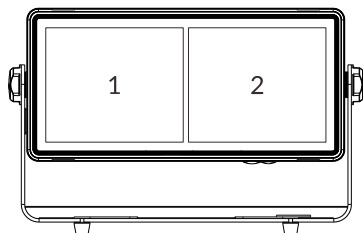
38	000-255	<b>GREEN 8</b> 0%→100%
39	000-255	<b>BLUE 8</b> 0%→100%
40	000-255	<b>WHITE 8</b> 0%→100%
41	000-255	<b>RED 9</b> 0%→100%
42	000-255	<b>GREEN 9</b> 0%→100%
43	000-255	<b>BLUE 9</b> 0%→100%
44	000-255	<b>WHITE 9</b> 0%→100%
45	000-255	<b>RED 10</b> 0%→100%
46	000-255	<b>GREEN 10</b> 0%→100%
47	000-255	<b>BLUE 10</b> 0%→100%
48	000-255	<b>WHITE 10</b> 0%→100%
49	000-255	<b>RED 11</b> 0%→100%
50	000-255	<b>GREEN 11</b> 0%→100%
51	000-255	<b>BLUE 11</b> 0%→100%
52	000-255	<b>WHITE 11</b> 0%→100%
53	000-255	<b>RED 12</b> 0%→100%
54	000-255	<b>GREEN 12</b> 0%→100%
55	000-255	<b>BLUE 12</b> 0%→100%
56	000-255	<b>WHITE 12</b> 0%→100%

**LED PIXEL ZONES:**

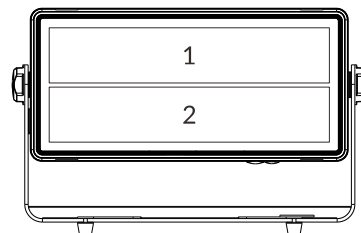
1 zone



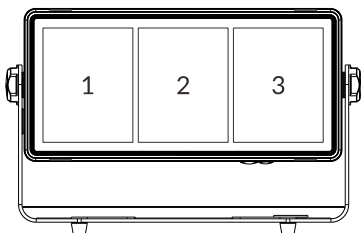
2 zones V



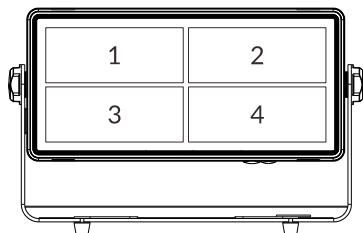
2 zones H



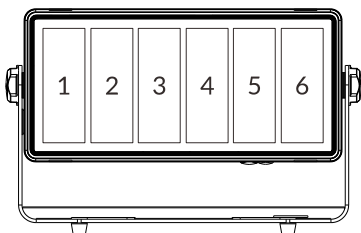
3 zones



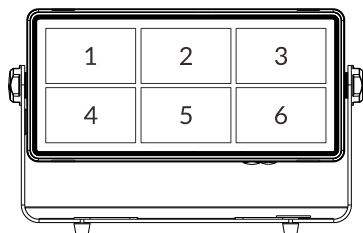
4 zones



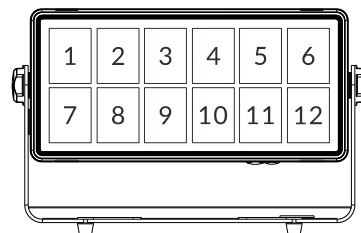
6 zones V



6 zones H



12 zones



## 07/ Error Information

Error codes are shown continuously in the display when the fixture fails and they will not disappear until the fixture is repaired.

### Temp. Error

Check whether the temperature detecting board is normal.

Check whether the components of the temperature detecting board are damaged.

Check whether the lead on the temperature detecting board is installed in place or disconnected.

### Fan 1/2/3/4 Error

Check whether the fan is not running.

Check whether the fan leads are installed in place or disconnected.

Check whether the fan is damaged.

Check whether there are obstacles in the fan operating range.

Check whether the fan circuit on the motherboard breaks down.

Check whether the component is damaged.

Check whether the fan is out of order.

## 08/ Troubleshooting

---

Following are a few common problems that may occur during operation. Here are some suggestions for troubleshooting:

### A. The unit does not work, no light and the fan does not work

- ▶ Check the connected power.
- ▶ Measure the voltage.
- ▶ Check the power indicator to see whether it can be lit up or not.

### B. Not responding to the DMX controller

- ▶ Check whether the DMX connectors and the DMX cables are connected correctly.
- ▶ Check whether the DMX address is correctly set.
- ▶ If the intermittent DMX signal problem occurs, check whether the XLR socket and the signal cable are well connected.
- ▶ Try it with another DMX controller.
- ▶ Check whether the DMX cables run near or alongside to the high-voltage cables, which may damage or interfere with the signal circuit.

## 09/ Fixture Cleaning

---

It is absolutely essential that the fixture is kept clean to ensure the maximum light-output and allow the fixture to function reliably throughout its life. The fixture must be cleaned regularly to avoid dust, dirt and smoke-fluid residues building up on or within the fixture. The cleaning frequency depends on the application environment. Clean the fixture immediately if the dust enters it to avoid damage to the optical lens due to excessive dust.

- ▶ A soft lint-free cloth moistened with any good glass cleaning fluid is recommended, under no circumstances should solvents be used.
- ▶ Always dry the parts carefully.
- ▶ Clean the external optical lens at least every 20 days.

### **Declaration of Conformity**

We declare that our products (lighting equipments) comply with the following specification and bears CE mark in accordance with the provision of the Electromagnetic Compatibility (EMC) Directive 2014/30/EU.

EN 55032: 2015; EN IEC 61000-3-2: 2019;  
EN 61000-3-3: 2013; EN 55035: 2017.

**&**

### **Harmonized Standard**

EN 60598-1: 2015; EN 60598-2-17: 2018;  
EN 62493: 2015.

Safety of household and similar electrical appliances  
Part 1: General requirements and tests

### **Certifications**

cETLus Approved (Control #5000057)



---

[www.acmelighting.com](http://www.acmelighting.com)