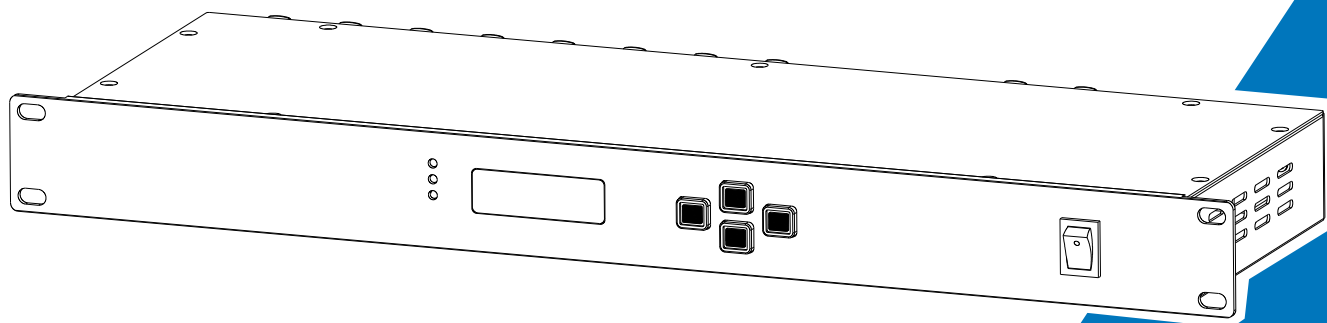




## Art DMX A28



User Manual

Please read the instruction carefully before use

# CONTENTS

|                                    |    |
|------------------------------------|----|
| 01/ Safety Instructions.....       | 2  |
| 02/ Features.....                  | 4  |
| 03/ Technical Specifications ..... | 4  |
| 04/ Overview.....                  | 5  |
| 05/ Main Functions .....           | 6  |
| 06/ Online Software Upgrade .....  | 13 |
| 07/ System Connection .....        | 18 |
| 08/ Fixture Cleaning.....          | 18 |

## 01/ Safety Instructions



Please read the instruction carefully which includes important information about the installation, usage and maintenance.

### WARNING

Please keep this User Guide for future consultation. If you sell the unit to another user, be sure that they also receive this instruction manual.

#### Important:

**Damages caused by the disregard of this user manual are not subject to warranty. The dealer will not accept liability for any resulting defects or problems.**

- Unpack and check carefully to ensure that there is no transportation damage before using the unit.
- This product is for indoor use only. Use only in a dry location.
- DO install and operate by qualified operator.
- DO NOT allow children to operate the fixture.
- Be sure that no ventilation slots is blocked, otherwise the unit will be overheated.
- Before operation, ensure that you are connecting this product to the proper voltage in accordance with the specifications in this manual or on the product's specification label.
- It's important to ground the yellow/green conductor to earth in order to avoid electric shock.
- Minimum ambient temperature TA: 0°C. Maximum ambient temperature TA: 40°C. Do not operate this product at a lower or higher temperature.
- Keep flammable materials away from the fixture while operating to avoid fire hazard.
- Make sure the power cord is not crimped or damaged; replace it immediately if damaged.
- Avoid any flammable liquids, water or metal from entering the unit. Once it happens, cut off the mains power immediately.
- DO NOT operate in a dirty or dusty environment. DO clean the fixture regularly.
- DO NOT touch any wire during operation as there might be a hazard of electric shock.
- Avoid entanglement of the power cord with other wires.
- In the event of serious operating problem, stop using the unit immediately.
- Never turn on and off the unit time after time.
- DO NOT open the housing as there are no user serviceable parts inside.

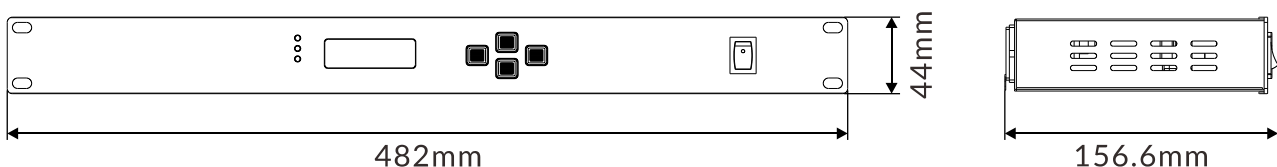
- DO NOT attempt to operate this unit if it becomes damaged. DO NOT attempt any repairs yourself. Repairs carried out by unskilled people can lead to damage or malfunction. Please contact the nearest authorized technical assistance center if needed.
- Disconnect this product from its power source before servicing.
- DO use the original packaging if the device is to be transported.
- DO NOT operate this product if you see damage on the housing, shields, or cables. Have the damaged parts replaced by an authorized technician at once.

## 02/ Features

- 2 x RJ45 Ethernet (LAN) interface, gigabit network, 10/100/1000M adaptive, supports TCP/IP protocol
- Supports auto MDI/MDIX
- Support standard DMX-512 and Art-Net protocol
- Supports Art-Net/DMX signal bi-directional conversion
- Each DMX input/output can be set to enabled/disabled
- Each DMX output port can be set to one of five modes: single, HTP, LTP RDM, zero
- Can be used as DMX splitter/amplifier
- Manually settable IP address
- 6 user presets
- OLED display shows the status of each DMX port
- LED indicators show the status of network ports
- Supports online software upgrade
- 2 x DMX inputs + 8 x DMX outputs, all inputs/outputs are opto-isolated with withstanding voltage >2000V

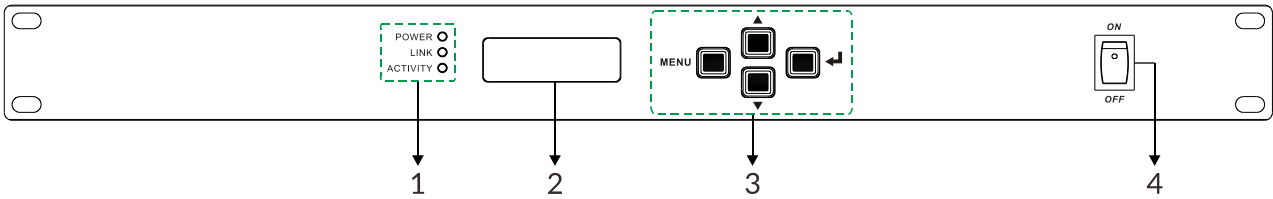
## 03/ Technical Specifications

|                      |                   |               |
|----------------------|-------------------|---------------|
| <b>Power Voltage</b> | 100-240V~ 50/60Hz |               |
| <b>Dimensions</b>    | 482x156.6x44 mm   | 19"x6.2"x1.7" |
| <b>Weight</b>        | 2.3 kg            | 5.1 lbs       |



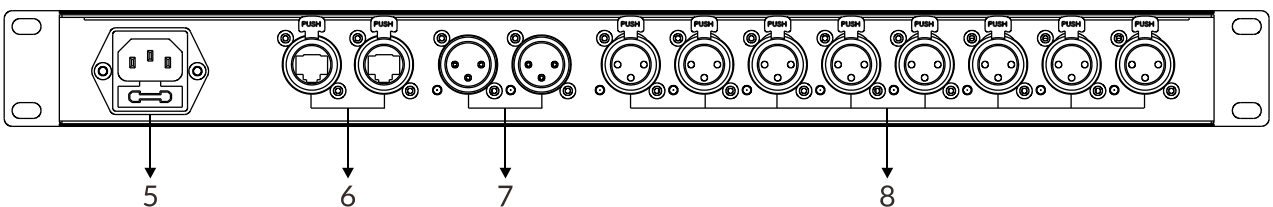
## 04/ Overview

### Front View:



|                   |   |   |
|-------------------|---|---|
| 1. LED indicators | POWER   | Shows the power on/off status of the fixture  |
|                   | LINK  | Shows the network connection status           |
|                   | ACTIVITY  | It blinks when transmitting data              |
| 2. Display        | To show the various menus and the selected function |   |
| 3. Buttons        | MENU  | To enter into move backward or leave the menu |
|                   | ▲ UP  | To go backward to move up in the menu         |
|                   | ▼ DOWN  | To go forward to move down in the menu        |
|                   | ENTER   | To perform the desired functions              |
| 4. POWER SWITCH   | Turns on/off the power                              |   |

### Rear View:



|                             |                               |
|-----------------------------|-------------------------------|
| 5. POWER IN                 | To connect to supply power    |
| 6. ETHERNET RJ45 connectors | Connects with a network cable |
| 7. DMX IN port A/B          | Input DMX signal              |
| 8. DMX OUT port 1-8         | Output DMX signal             |

## 05/ Main Functions

- ▶ To access the control menus, press the [MENU] button.
- ▶ Navigate the menu structure, using the [ENTER], [▲ UP] and [▼ DOWN] buttons.
- ▶ To select a menu option or to confirm a selection, press the [ENTER] button.
- ▶ To return to a higher level in the menu structure without making a change, press the [MENU] button, or wait 30 seconds.

Standby mode:

|               |            |           |   |   |   |   |   |   |   |   |   |   |   |   |   |   |   |   |   |   |   |   |   |   |   |  |  |  |  |  |  |  |  |
|---------------|------------|-----------|---|---|---|---|---|---|---|---|---|---|---|---|---|---|---|---|---|---|---|---|---|---|---|--|--|--|--|--|--|--|--|
| Device Name   | IP Address | Device ID | Port Status   |   |   |   |   |   |   |   |   |   |   |   |   |   |   |   |   |   |   |   |   |   |   |  |  |  |  |  |  |  |  |
| ArtNet To DMX | 2.10.10.2  | ID: 001   | <table border="1" style="width: 100%; border-collapse: collapse; text-align: center;"> <tr> <td>A</td><td>B</td><td>1</td><td>2</td><td>3</td><td>4</td><td>5</td><td>6</td><td>7</td><td>8</td> </tr> <tr> <td>x</td><td>x</td><td>x</td><td>x</td><td>x</td><td>x</td><td>x</td><td>x</td><td>x</td><td>x</td> </tr> <tr> <td>-</td><td>-</td><td></td><td></td><td></td><td></td><td></td><td></td><td></td><td></td> </tr> </table> | A | B | 1 | 2 | 3 | 4 | 5 | 6 | 7 | 8 | x | x | x | x | x | x | x | x | x | x | - | - |  |  |  |  |  |  |  |  |
| A             | B          | 1         | 2   | 3 | 4 | 5 | 6 | 7 | 8 |   |   |   |   |   |   |   |   |   |   |   |   |   |   |   |   |  |  |  |  |  |  |  |  |
| x             | x          | x         | x   | x | x | x | x | x | x |   |   |   |   |   |   |   |   |   |   |   |   |   |   |   |   |  |  |  |  |  |  |  |  |
| -             | -          |           |   |   |   |   |   |   |   |   |   |   |   |   |   |   |   |   |   |   |   |   |   |   |   |  |  |  |  |  |  |  |  |

There are four standby modes as above, after powering on the fixture, you can switch the standby mode to browse the information by using [▲ UP] and [▼ DOWN] buttons.

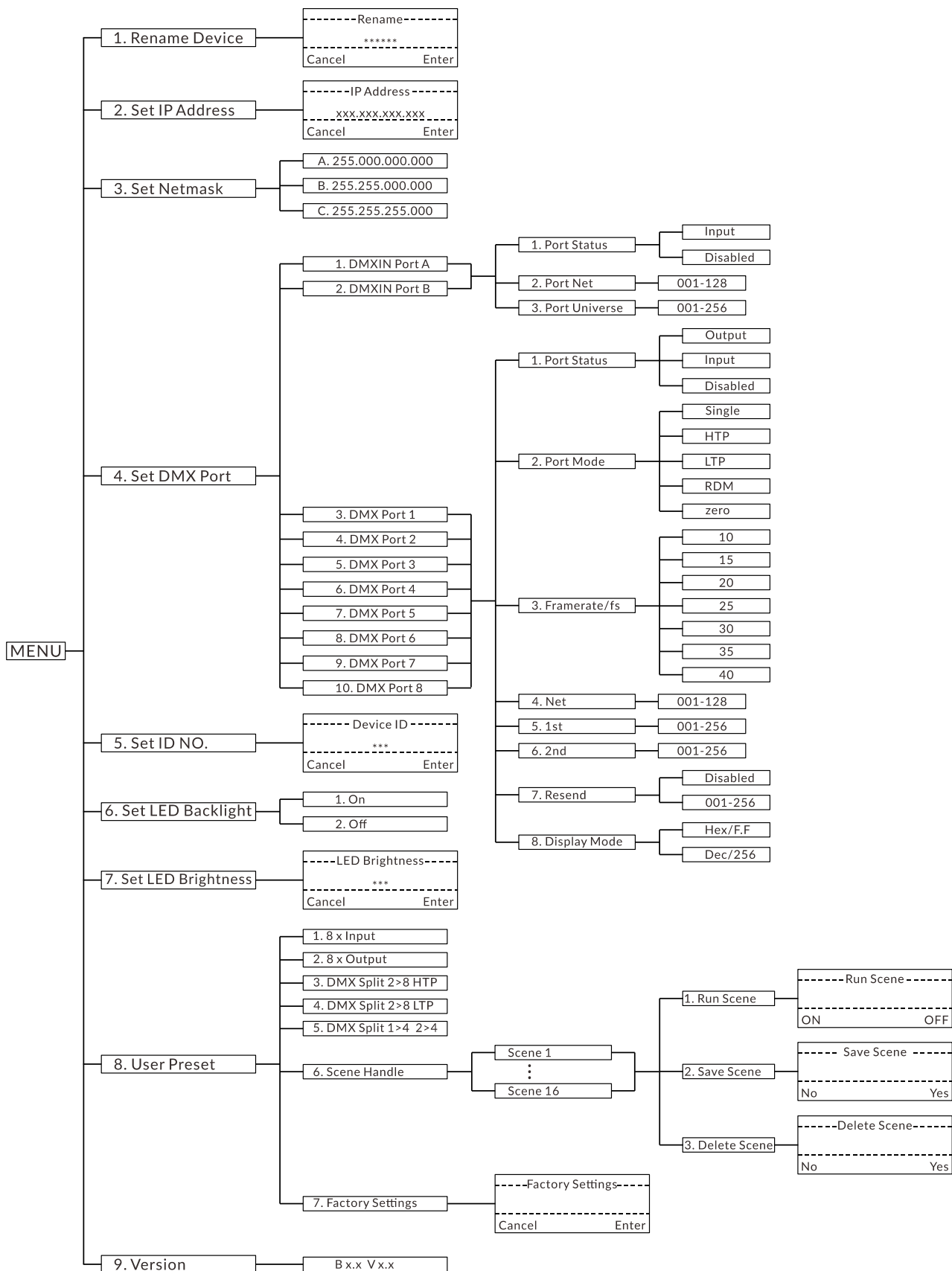
**Device Name:** View the device name.

**IP Address:** View the local IP.

**Device ID:** View the device ID.

**Port Status:** View the port status (A/B refers to DMX input port A and port B; 1-8 refers to DMX output port 1 to port 8; "x" means the DMX port is not activated. It will hold the current output; "✓" means the DMX port is activated. It is connected to the network; "-" means the DMX port is disabled).

The main functions are shown below:





## Rename Device

Select **Rename Device**, press ENTER.

Use UP/DOWN button to rename the device, confirm your selection with ENTER.

To exit the menu, press MENU, or wait 30 seconds.

## Set IP Address

Select **Set IP Address**, press ENTER.

Use UP/DOWN button to set the IP address, confirm your selection with ENTER.

To exit the menu, press MENU, or wait 30 seconds.

**Note: Each IP address must be unique and non-repeatable.**

## Set Netmask

Select **Set Netmask**, press ENTER.

Use UP/DOWN button to select a netmask between **A**, **B** and **C**, confirm your selection with ENTER.

To exit the menu, press MENU, or wait 30 seconds.

## Set DMX Port

Select **Set DMX Port**, press ENTER.

Use UP/DOWN button to select between **DMXIN Port A**, **DMXIN Port B**, **DMX Port 1**,..... and **DMX Port 8**, confirm your selection with ENTER.

To exit the menu, press MENU, or wait 30 seconds.

## 1. DMXIN Port A/B:

### 1). Port Status

Select **Port Status**, press ENTER.

Use UP/DOWN button to select between **Input** and **Disabled**, confirm your selection with ENTER.

To exit the menu, press MENU, or wait 30 seconds.

### 2). Port Net

Select **Port Net**, press ENTER.

Use UP/DOWN button to select from **001** to **128**, confirm your selection with ENTER.

To exit the menu, press MENU, or wait 30 seconds.

### 3). Port Universe

Select **Port Universe**, press ENTER.

Use UP/DOWN button to select from **001** to **256**, confirm your selection with ENTER.

To exit the menu, press MENU, or wait 30 seconds.

## 2. DMX Port 1-8:

### 1). Port Status

Select **Port Status**, press ENTER.

Use UP/DOWN button to select between **Output**, **Input** and **Disabled**, confirm your selection with ENTER.

To exit the menu, press MENU, or wait 30 seconds.

### 2). Port Mode

Select **Port Mode**, press ENTER.

Use UP/DOWN button to select between **Single**, **HTP**, **LTP**, **RDM** and **zero**, confirm your selection with ENTER.

To exit the menu, press MENU, or wait 30 seconds.

### 3). Framerate/fs

Select **Framerate/fs**, press ENTER.

Use UP/DOWN button to select between **10, 15, 20, 25, 30, 35** and **40**, confirm your selection with ENTER.

To exit the menu, press MENU, or wait 30 seconds.

### 4). Net

Select **Net**, press ENTER.

Use UP/DOWN button to select from **001** to **128**, confirm your selection with ENTER.

To exit the menu, press MENU, or wait 30 seconds.

### 5). 1st

Select **1st**, press ENTER.

Use UP/DOWN button to select from **001** to **256**, confirm your selection with ENTER.

To exit the menu, press MENU, or wait 30 seconds.

### 6). 2nd

Select **2nd**, press ENTER.

Use UP/DOWN button to select from **001** to **256**, confirm your selection with ENTER.

To exit the menu, press MENU, or wait 30 seconds.

### 7). Resend

Select **Resend**, press ENTER.

Use UP/DOWN button to select **Disabled** or **001-256**, confirm your selection with ENTER.

To exit the menu, press MENU, or wait 30 seconds.

### 8). Display Mode

Select **Display Mode**, press ENTER.

Use UP/DOWN button to select between **Hex/F.F** and **Dec/256**, confirm your selection with ENTER.

To exit the menu, press MENU, or wait 30 seconds.

## Set ID NO.

Select **Set ID NO.**, press ENTER.

Use UP/DOWN button to select from **000** to **255**, confirm your selection with ENTER.

To exit the menu, press MENU, or wait 30 seconds.

## Set LED Backlight

Select **Set LED Backlight**, press ENTER.

Use UP/DOWN button to select between **On** and **Off**, confirm your selection with ENTER.

To exit the menu, press MENU, or wait 30 seconds.

## Set LED Brightness

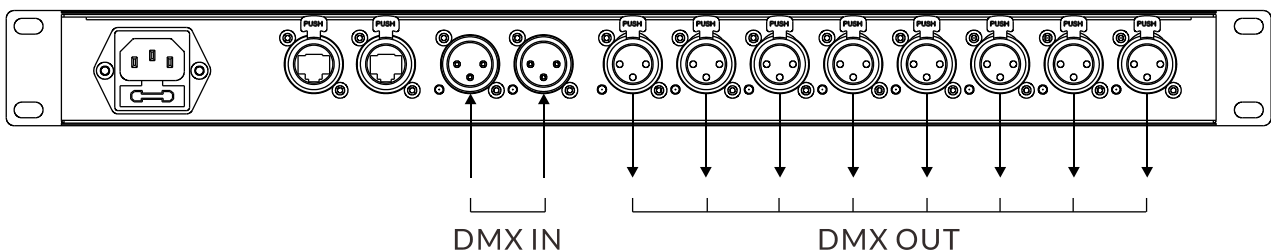
Select **Set LED Brightness**, press ENTER.

Use UP/DOWN button to select from **000** to **010**, confirm your selection with ENTER.

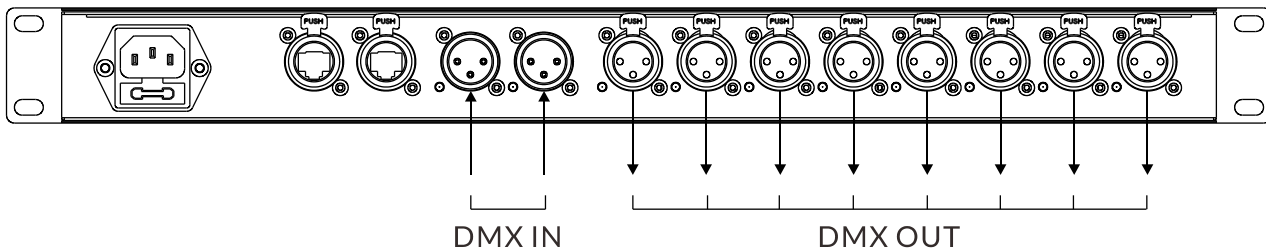
To exit the menu, press MENU, or wait 30 seconds.

## User Preset:

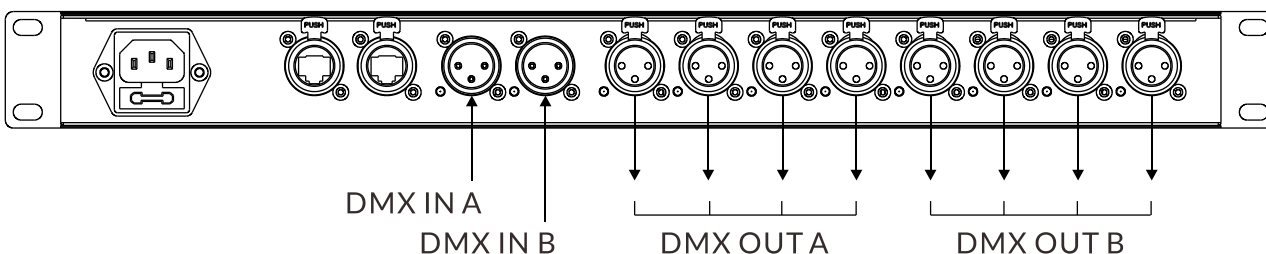
- 1). **8 x Input:** All 8 DMX channels are set as input ports
- 2). **8 x Output:** All 8 DMX channels are set as output ports
- 3). **DMX Split 2>8 HTP:** This setting will split the DMX signal. DMX signals are input from both port A and port B and output from port 1 to port 8. In this case it is the HTP mode, and the one with the higher signal in A/B ports takes priority.



4). **DMX Split 2>8 LTP:** This setting will split the DMX signal. DMX signals are input from both port A and port B and output from port 1 to port 8. In this case it is the LTP mode, and the one with later signal change in A/B ports takes priority.



5). **DMX Split 1>4 2>4:** This setting will split the DMX signal. The signal input from port A will be output from port 1 to port 4. The signal input from port B will be output from port 5 to port 8.



6). **Scene Handle:** You can run, save or delete the scene.

7). **Factory Settings:** Restore factory settings.

## Version

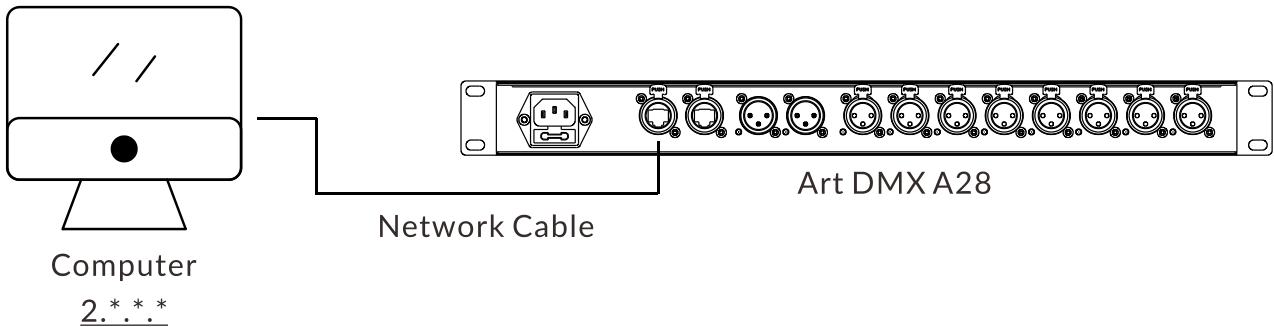
Select **Version**, press ENTER.

The firmware version is displayed.

To exit the menu, press MENU, or wait 30 seconds.

## 06/ Online Software Upgrade

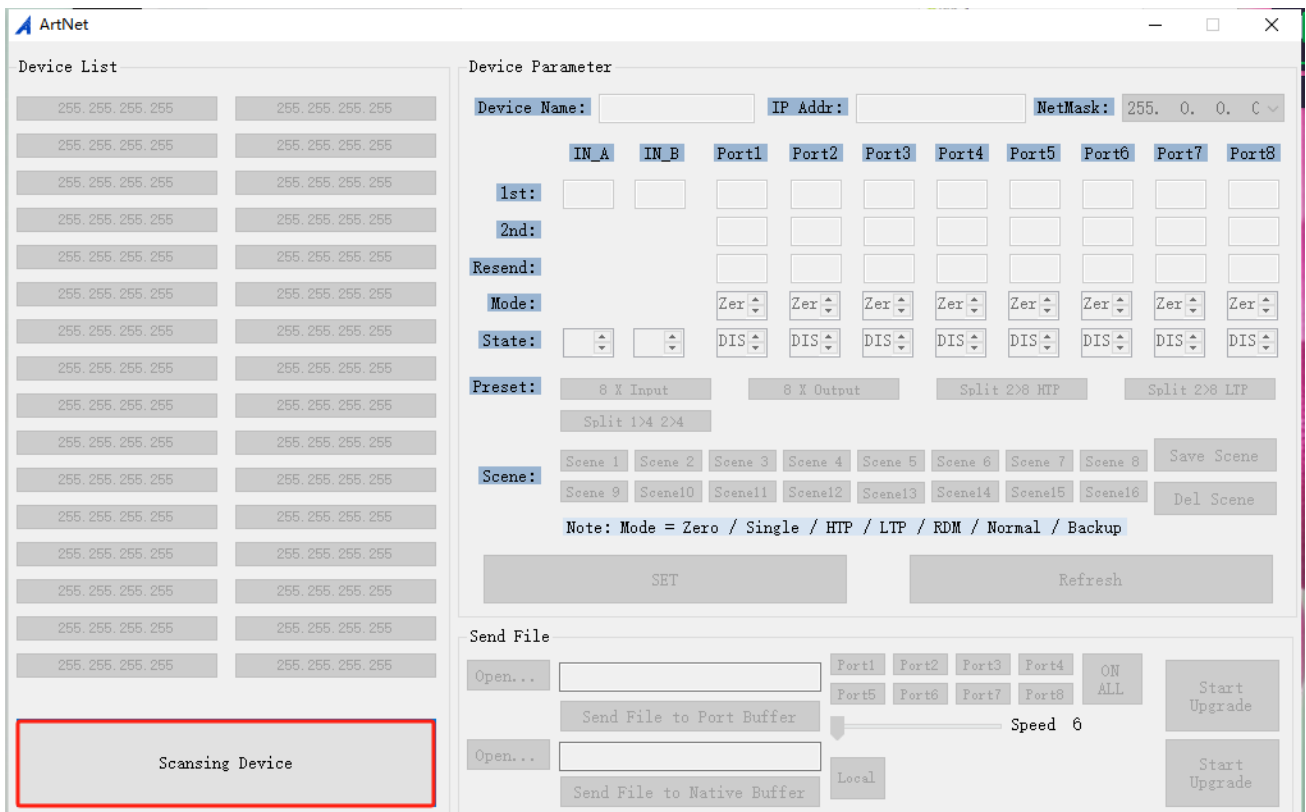
To upgrade the Art DMX A28's software online using a computer: first connect the computer to the Art DMX A28 with a network cable, then change the computer's IP address to a 2-segment IP address.



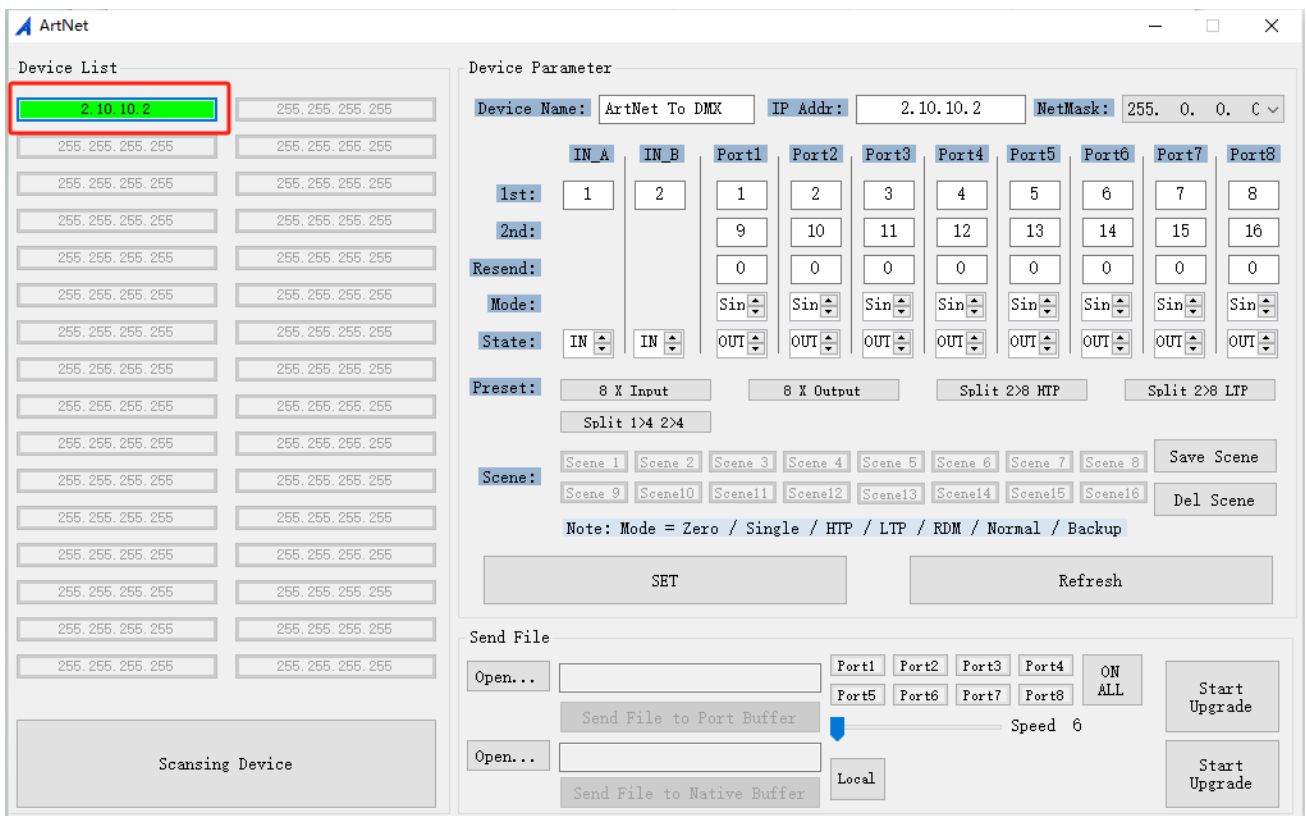
1. Double-click to open the ArtNetServer software.

| 名称   | 修改日期      |
|--|-----------|
| zh-Hans                                      | 2024/2/22 |
| ArtNetServer.exe                             | 2016/5/20 |
| ArtNetServer.exe.config                      | 2016/3/28 |
| ArtNetServer.pdb                             | 2016/5/20 |
| ArtNetServer.vshost.exe                      | 2016/3/28 |
| ArtNetServer.vshost.exe.config               | 2016/3/28 |
| ArtNetServer.vshost.exe.manifest             | 2016/3/28 |
| ArtNetServer.xml                             | 2016/3/28 |
| Microsoft.VisualBasic.Compatibility.Data.dll | 2016/3/28 |
| Microsoft.VisualBasic.Compatibility.dll      | 2016/3/28 |
| Microsoft.VisualBasic.PowerPacks.Vs.dll      | 2016/3/28 |

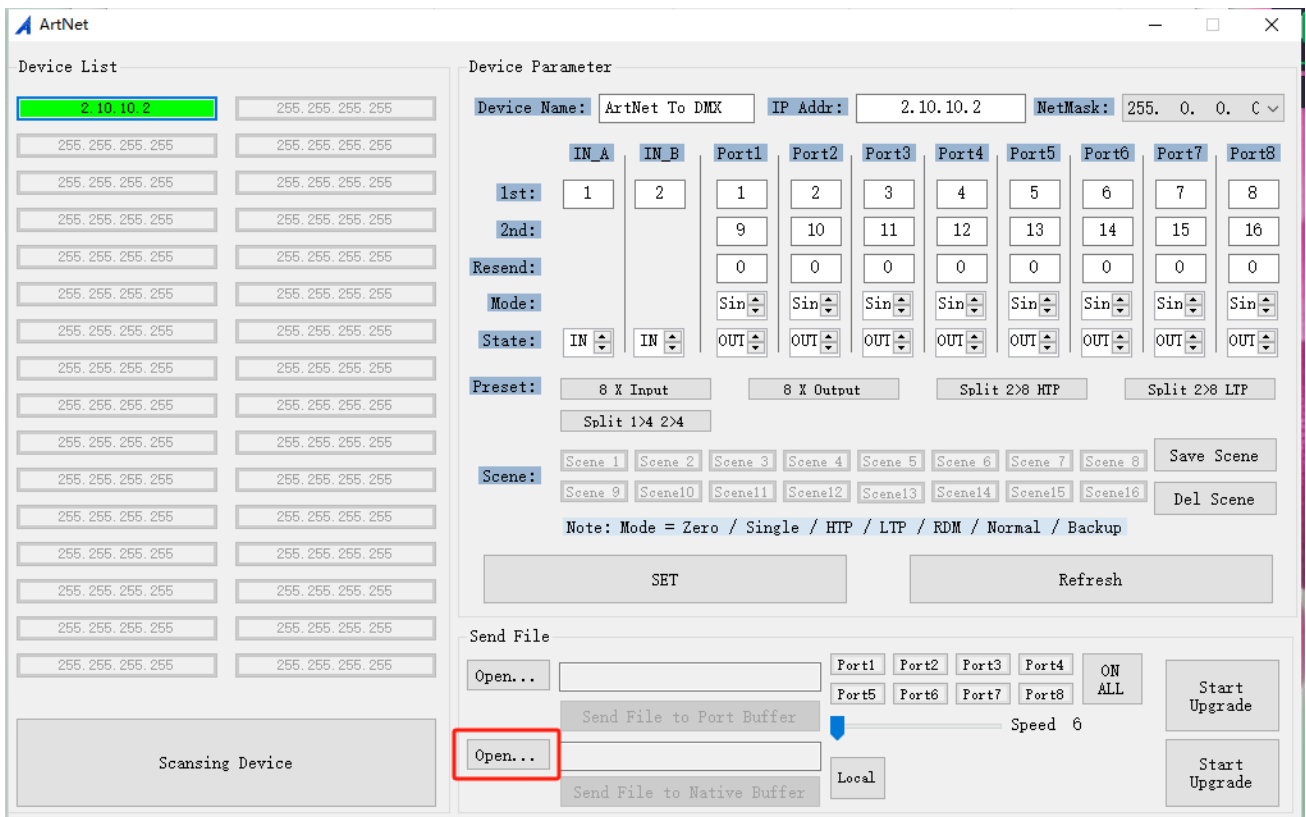
2. Click “Scanning Device” to scan the device.



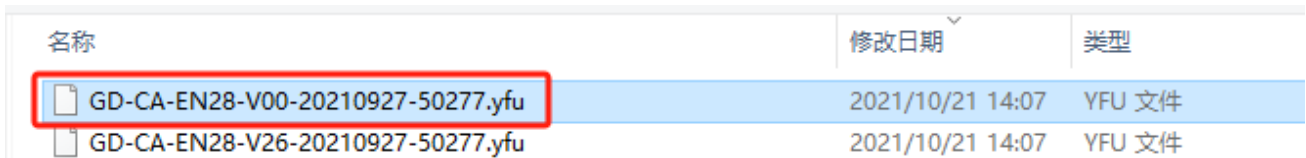
3. When the scanning is complete, click on the device that needs to be upgraded.



4. Click “Open...” to open the folder where the software files are stored.

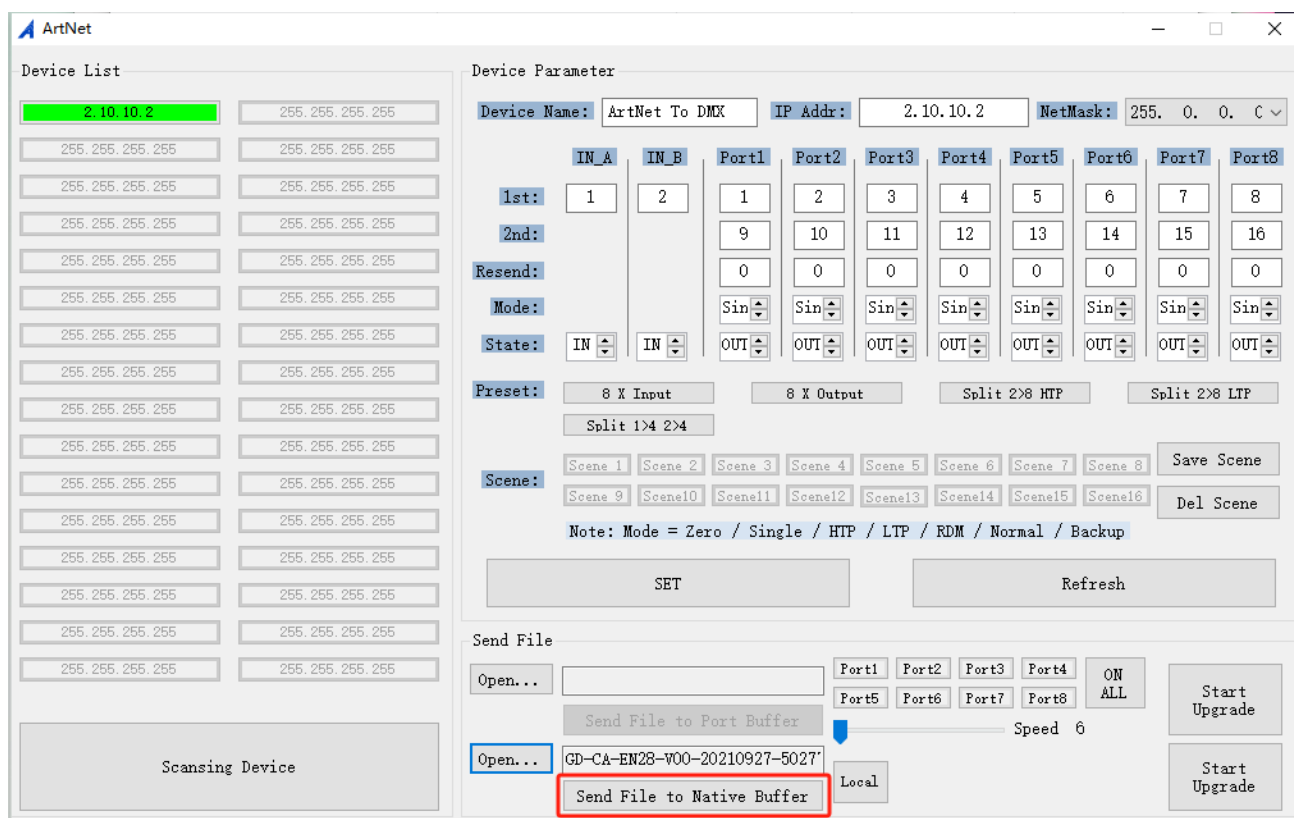


5. Select the software file and confirm.

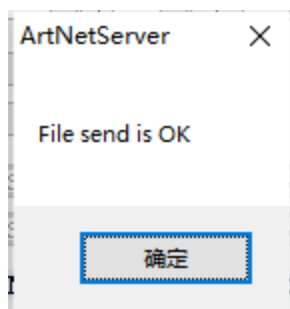




6. Click “Send File to Native Buffer” to send the software file to the native buffer.



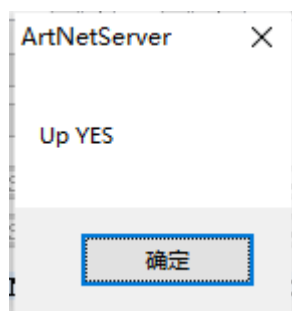
7. Click “确定” when you have finished sending.



8. Click “Local” and then click “Start Upgrade” to upgrade the software.



9. Click “确定” when the upgrade is complete.

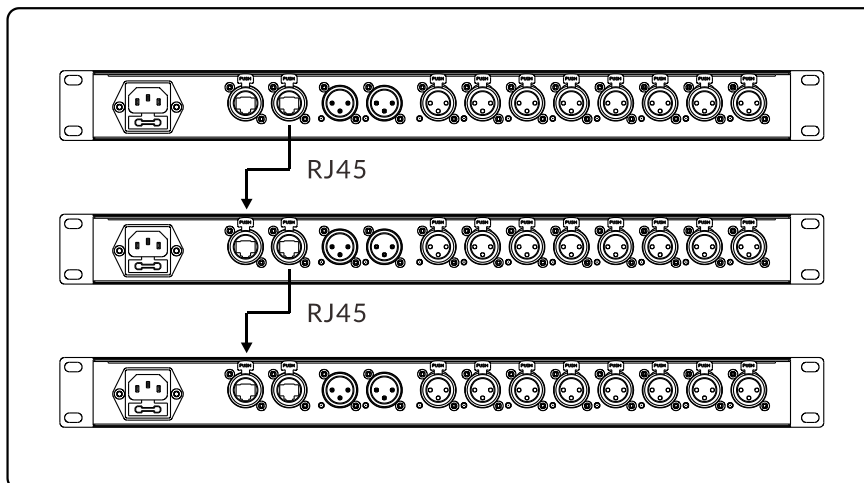
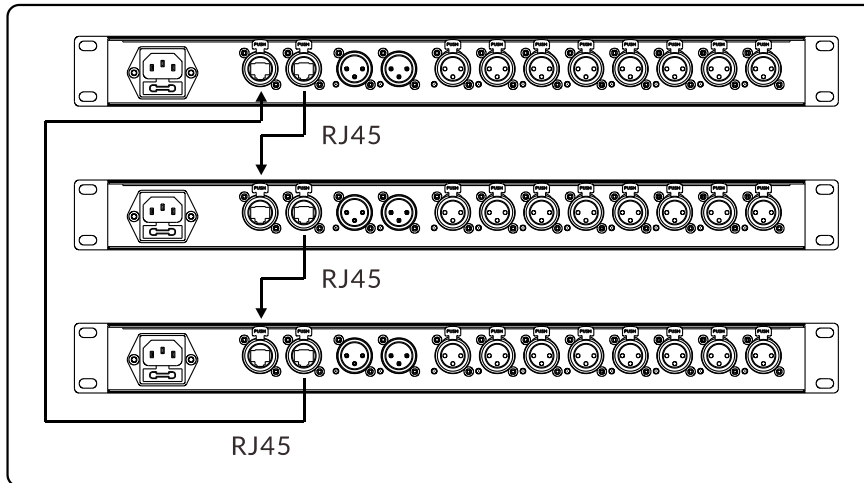


10. Repeat steps 4-9 to upgrade another software file.

| 名称                                | 修改日期             | 类型     |
|-----------------------------------|------------------|--------|
| GD-CA-EN28-V00-20210927-50277.yfu | 2021/10/21 14:07 | YFU 文件 |
| GD-CA-EN28-V26-20210927-50277.yfu | 2021/10/21 14:07 | YFU 文件 |

## 07/ System Connection

Please Note that the unit cannot be circular connected, or it will cause cyber storm to affect the performance of system.



## 08/ Fixture Cleaning

It is absolutely essential that the fixture is kept clean. The fixture must be cleaned regularly to avoid dust, dirt and smoke-fluid residues building up on or within the fixture. The cleaning frequency depends on the application environment. Clean the fixture immediately if the dust enters it to avoid damage due to excessive dust.

- ▶ A soft lint-free cloth moistened with any good glass cleaning fluid is recommended, under no circumstances should solvents be used.
- ▶ Always dry the parts carefully.



---

[www.acmelighting.com](http://www.acmelighting.com)