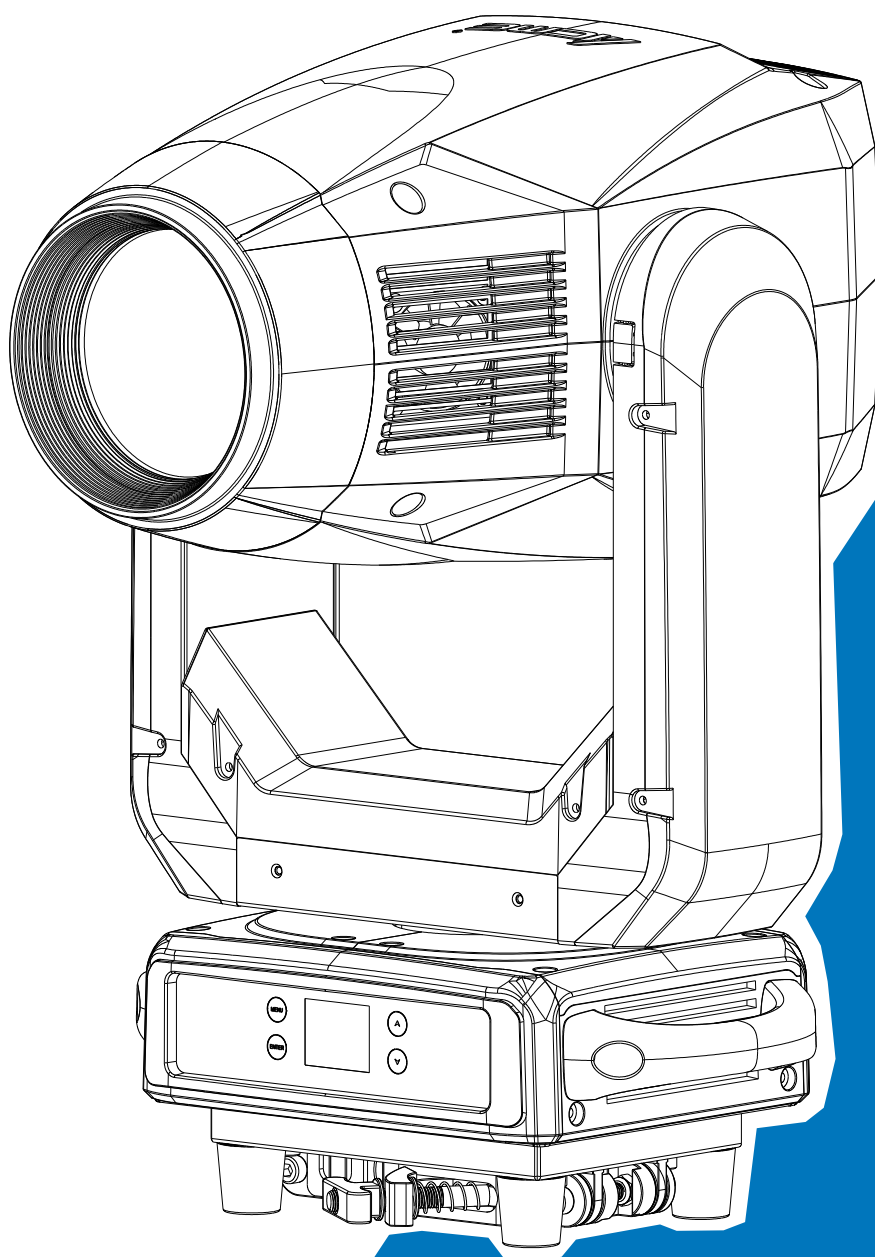


Acme®

AECO 5



Intertek
5000057

User Manual

Please read the instruction carefully before use

CONTENTS

01/ Safety Instructions.....	2
02/ Technical Specifications	6
03/ Control Panel.....	8
04/ Fixture Installation.....	9
05/ Effect Wheels.....	10
5.1 Replacing Rotating Gobos	11
06/ How To Set The Unit.....	14
6.1 Main Functions.....	14
6.2 Home Position Adjustment	27
07/ Control By Universal DMX Controller	33
7.1 DMX512 Connection.....	33
7.2 Address Setting.....	34
7.3 DMX512 Configuration.....	34
08/ Error Information	38
09/ Troubleshooting	48
10/ Fixture Cleaning.....	48

01/ Safety Instructions



Please read the instruction carefully which includes important information about the installation, usage and maintenance.

WARNING

Please keep this User Guide for future consultation. If you sell the unit to another user, be sure that they also receive this instruction manual.

Important:

Damages caused by the disregard of this user manual are not subject to warranty. The dealer will not accept liability for any resulting defects or problems.

- Unpack and check carefully to ensure that there is no transportation damage before using the unit.
- This product is for indoor use only. Use only in a dry location.
- DO install and operate by qualified operator.
- DO NOT allow children to operate the fixture.
- Use safety chain when fixing the unit. Handle the unit by carrying its base instead of head only.
- The unit must be installed in a location with adequate ventilation, at least 50cm from adjacent surfaces.
- Be sure that no ventilation slots is blocked, otherwise the unit will be overheated.
- Before operation, ensure that you are connecting this product to the proper voltage in accordance with the specifications in this manual or on the product's specification label.
- It's important to ground the yellow/green conductor to earth in order to avoid electric shock.
- Minimum ambient temperature TA: 0°C. Maximum ambient temperature TA: 40°C. Do not operate this product at a lower or higher temperature.
- DO NOT connect the device to any dimmer pack.
- Keep flammable materials away from the fixture while operating to avoid fire hazard.
- Make sure the power cord is not crimped or damaged; replace it immediately if damaged.
- Unit's surface temperature may reach up to 65°C. DO NOT touch the housing bare-handed during its operation.
- Avoid any flammable liquids, water or metal from entering the unit. Once it happens, cut

off the mains power immediately.

- DO NOT operate in a dirty or dusty environment. DO clean the fixture regularly.
- DO NOT touch any wire during operation as there might be a hazard of electric shock.
- Avoid entanglement of the power cord with other wires.
- The minimum distance to objects/surface must be more than 3 meters.
- Disconnect mains power before fuse replacement or servicing.
- Replace fuse only with the same type.
- In the event of serious operating problem, stop using the unit immediately.
- Never turn on and off the unit time after time.
- The housing, the lenses, or the ultraviolet filter must be replaced if they are visibly damaged.
- DO NOT open the housing as there are no user serviceable parts inside.
- DO NOT attempt to operate this unit if it becomes damaged. DO NOT attempt any repairs yourself. Repairs carried out by unskilled people can lead to damage or malfunction. Please contact the nearest authorized technical assistance center if needed.
- Disconnect this product from its power source before servicing.
- DO use the original packaging if the device is to be transported.
- Avoid direct eye exposure to the light source while the product is on.
- DO NOT operate this product if you see damage on the housing, shields, or cables. Have the damaged parts replaced by an authorized technician at once.

01/ Consignes de sécurité



Veillez lire attentivement les instructions qui contiennent des informations importantes sur l'installation, l'utilisation et l'entretien.

ATTENTION

Veillez conserver ce guide de l'utilisateur pour une consultation future. Si vous vendez l'appareil à un autre utilisateur, assurez-vous qu'il reçoive également ce manuel d'instructions.

Important:

Les dommages causés par le non-respect de ce manuel d'utilisation ne sont pas couverts par la garantie. Le revendeur n'acceptera aucune responsabilité pour les défauts ou problèmes qui en résultent.

- Déballez et vérifiez soigneusement qu'il n'y a pas de dommages dus au transport avant d'utiliser l'appareil.
- Ce produit est destiné à un usage intérieur uniquement. Il doit donc être utilisé uniquement dans un endroit sec.
- L'installation et la mise en fonctionnement doit être effectué par un opérateur qualifié.
- NE PAS permettre aux enfants d'utiliser l'appareil.
- Utilisez une chaîne de sécurité lors de la fixation de l'unité. Manipulez l'appareil en portant sa base au lieu de la tête uniquement.
- L'unité doit être installée dans un endroit avec une ventilation adéquate, à au moins 50cm des surfaces adjacentes.
- Assurez-vous qu'aucune fente d'aération du luminaire n'est obstruée, sinon il risque de surchauffer.
- Avant toute utilisation, assurez-vous que vous connectez ce luminaire à la tension appropriée conformément aux spécifications que vous trouverez dans ce manuel ou sur l'étiquette des spécifications collée sur la base du luminaire.
- Il est important de relier le file jaune/vert à la terre afin d'éviter tout choc électrique.
- Température ambiante minimale TA: 0°C. Température ambiante maximale TA: 40°C. N'utilisez pas ce luminaire à des températures inférieures ou supérieures.
- NE PAS connecter le luminaire à un pack de gradateurs.
- Gardez les matériaux inflammables à l'écart du luminaire pendant le fonctionnement

pour éviter tout risque d'incendie.

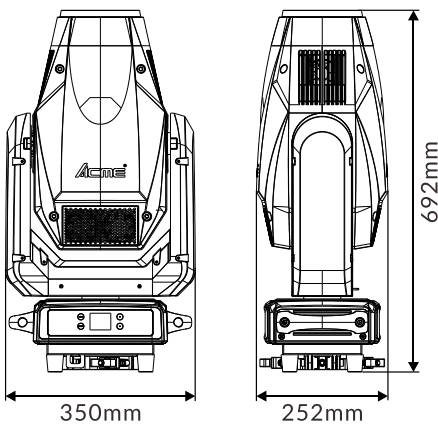
- Assurez-vous que le cordon d'alimentation n'est pas pincé ou endommagé; remplacez-le immédiatement s'il est endommagé.
- La température de surface de l'unité peut atteindre 65°C. NE PAS toucher les capots à mains nues pendant son fonctionnement.
- Évitez que des liquides inflammables, de l'eau ou du métal ne pénètrent dans l'appareil. Si cela se produit, coupez immédiatement l'alimentation secteur.
- NE PAS utiliser le luminaire dans un environnement sale ou poussiéreux. Cette appareil doit être nettoyer régulièrement.
- NE touchez AUCUN file pendant le fonctionnement car il pourrait y avoir un risque de choc électrique.
- Évitez l'enchevêtrement du cordon d'alimentation avec d'autres fils.
- La distance minimale de projection sur des objets ou sur des surfaces doit être supérieure à 3 mètres.
- Débranchez l'alimentation secteur avant le remplacement ou l'entretien des fusibles.
- Remplacez le fusible uniquement par un fusible du même type.
- En cas de problème de fonctionnement grave, arrêtez immédiatement d'utiliser l'appareil.
- N'allumez et n'éteignez jamais ce luminaire à maintes reprises.
- Le boîtier, les lentilles ou le filtre ultraviolet doivent être remplacés s'ils sont visiblement endommagés.
- NE PAS ouvrir le boîtier car il ne contient aucune pièce réparable par l'utilisateur.
- NE PAS mettre ce luminaire en fonctionnement s'il est endommagé. N'effectuez pas de réparations vous-même. Les réparations ne doivent être effectuées par des personnes non qualifiées, cela peut entraîner des dommages ou des dysfonctionnements. Veuillez contacter le centre d'assistance technique agréé le plus proche si nécessaire.
- Débranchez ce produit du secteur avant de procéder à l'entretien.
- Utiliser l'emballage d'origine si l'appareil doit être transporté.
- Évitez une exposition directe des yeux à la source lumineuse lorsque le produit est allumé.
- N'utilisez PAS ce produit si vous constatez des dommages sur le boîtier, les blindages ou les câbles. Faites remplacer immédiatement les pièces endommagées par un technicien agréé.

02/ Technical Specifications

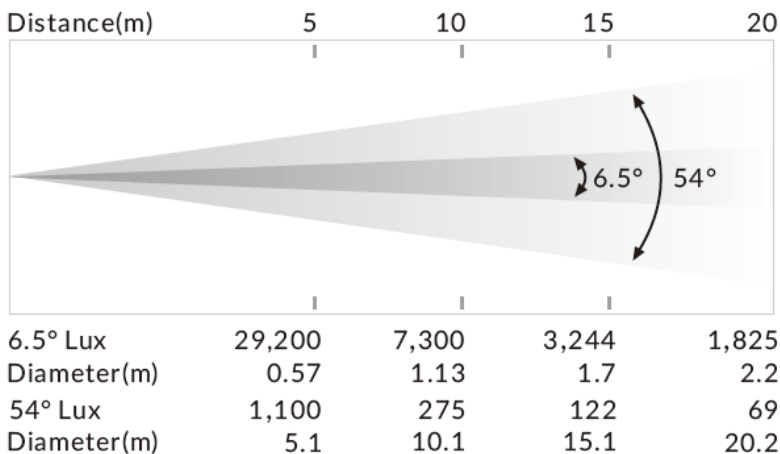
Power Voltage	100-240V~ 50/60Hz	
Power Consumption	670W	
Light Source	ESP_SSL410	
Color Temperature	6000K	
Zoom Range	6.5°-54°	
Dimmer/Strobe	0-100% smooth dimming; Outstanding strobe effect with variable speed	
Color Wheel	6 colors + open	
Gobo Wheel	Static Gobo Wheel	8 gobos + open
	Rotating Gobo Wheel	7 replaceable gobos + open
Movement	Pan	540°
	Tilt	260°
	Pan/Tilt Resolution	16 bit
	Automatic pan/tilt position correction	
	Fixation	Pan/Tilt lock
Control	DMX Channels	33/24/28 Channels
	Control Mode	DMX512
		RDM
		Art-Net
		sACN
Firmware Upgrade	via DMX link or USB disk	
Construction	Display	LCD display
	Battery backup for user setup without mains connection	
	Data In/Out	3-pin XLR (5-pin XLR is optional)
		RJ45 Connector
	Power In/Out	Power Connector in/out
Protection Rating	IP20	

Description for power cord set should be used: Listed SJT flexible cord with L6-15P plug, minimum rating: 300V, 90°C, VW-1, 16AWG x 3C, and terminated with cord connector model SAC3FX with rating 250V, 16A by NINGBO HAISHU DISTRICT SEETRONIC ELECTRONIC CO., LTD. The length of power cord shall be at least 914mm (It is to be measured from the face of attachment plug to the face of connector).

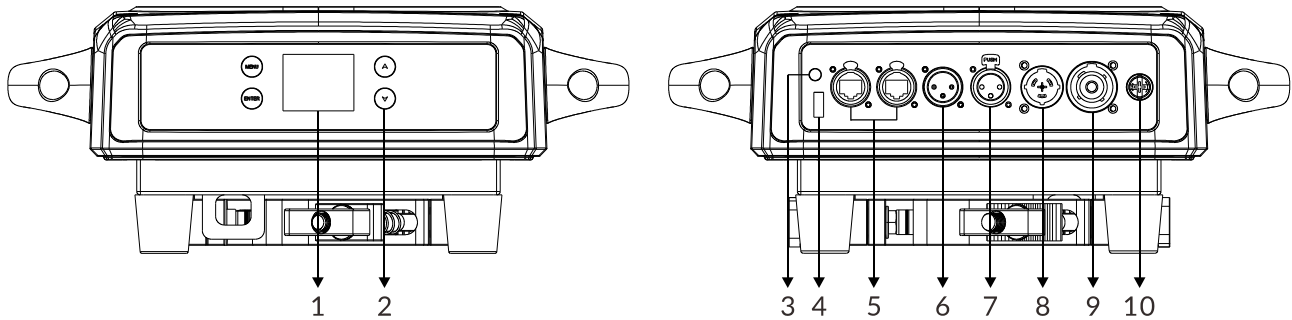
Features	Color Rendering: Ra≥95, R9≥90, R15≥95, TLCI≥95, CCI: 0-0.5G	
	Linear CMY color mixing	
	Variable CTO	
	Motorized linear iris	
	1 x 4-facet prism rotatable in either direction	
	2 different frost filters to create and improve the wash effect. They can be used independently and overlaid	
	Motorized focus	
	Motorized zoom	
	4 x fast and smooth framing shutters; The position and angle of each shutter blade can be controlled individually; Each shutter blade can block out light completely; The framing module can be rotated at ±45 degrees	
	2 x fixed clamps for 50mm truss	
Dimensions	350x252x692 mm	13.8"x9.9"x27.2"
Weight	26.8 kg	59 lbs



Photometric Diagram:



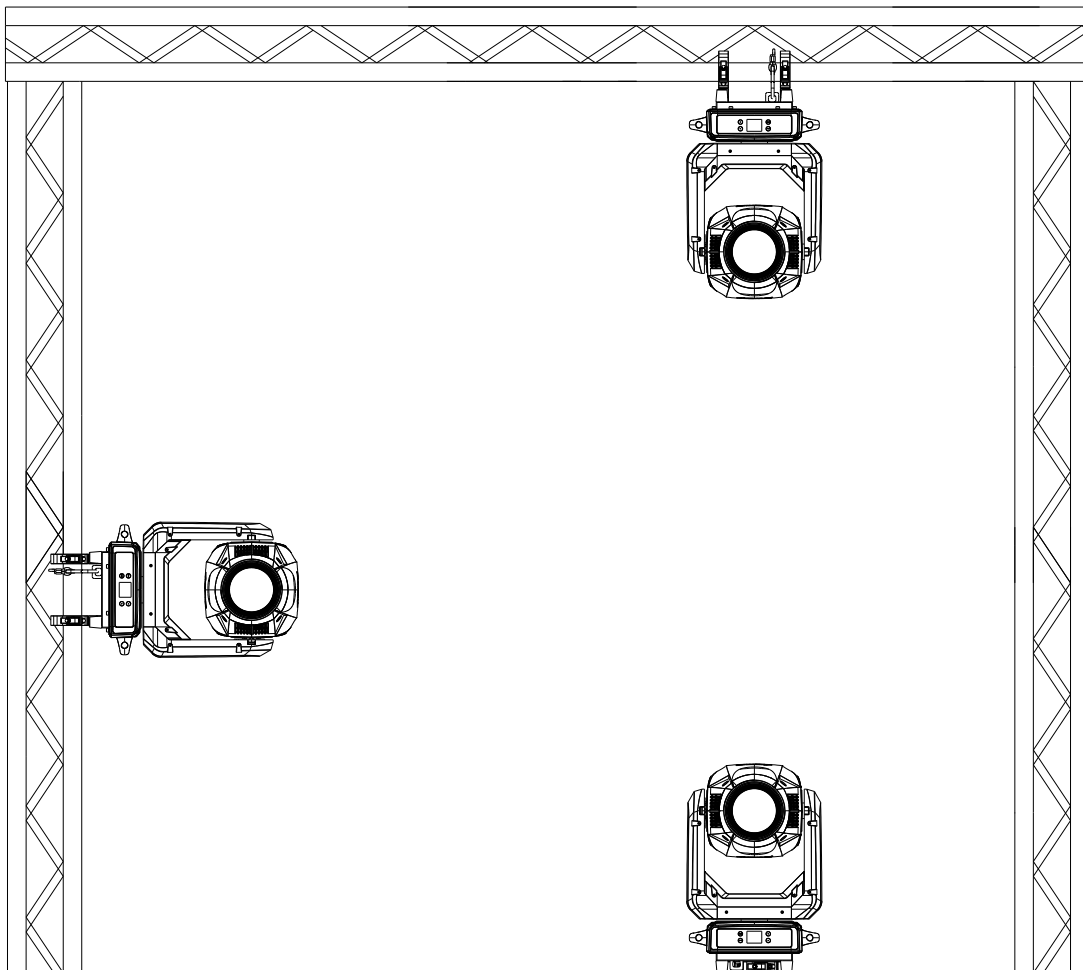
03/ Control Panel



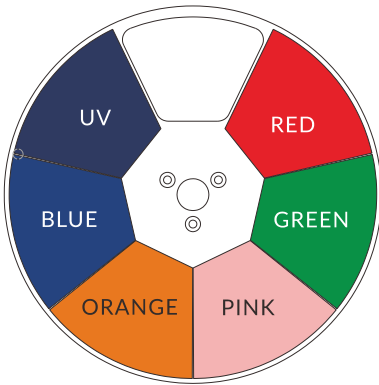
1. Display	To show the various menus and the selected function	
2. Buttons	MENU	To enter into menu or leave the menu
	▲ UP	To go backward to move up in the menu
	▼ DOWN	To go forward to move down in the menu
	ENTER	To perform the desired functions
3. BATTERY DISPLAY		
4. FIRMWARE UPGRADE	Used to upgrade the fixture's firmware	
5. ETHERNET	Transfers fixture's information to a main controller	
6. DMX IN	For DMX512 link, use 3-pin XLR cable to link the unit and DMX controller to input DMX signal (5-pin XLR cable is optional)	
7. DMX OUT	For DMX512 link, use 3-pin XLR cable to link the next units to output DMX signal (5-pin XLR cable is optional)	
8. POWERCON IN	To connect to supply power	
9. POWERCON OUT	To connect to the next fixture	
10. FUSE(T 10A)	Protects the unit from damage of over-voltage or short circuit	

04/ Fixture Installation

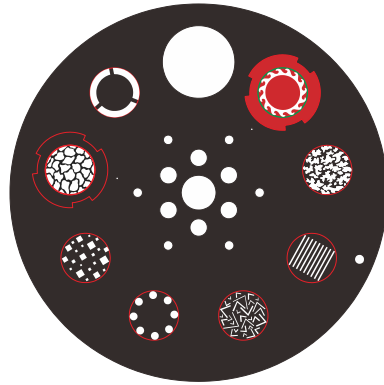
- ▶ DO install and operate by qualified operator. Fixture(s) should be installed in areas outside walking paths, seating areas, or away from areas where unauthorized personnel might reach the fixture by hand. NEVER stand directly below the fixture(s) when rigging, removing or servicing.
- ▶ Always ensure that the unit is firmly fixed to avoid vibration and slipping off during operation. Ensure that the trussing or area of installation must be able to hold 10 times the weight without any deformation. Always attach a safety cable that can hold at least 12 times the weight of the fixture whenever installing this fixture in a suspended environment to ensure that the fixture will not fall if the clamp fails.
- ▶ This fixture is fully operational in three different mounting positions: hanging upside-down, mounted sideways on trussing, or standing on the floor. Always use and install a safety cable as a safety measure to prevent accidental damage and/or injury in the event the clamp fails.



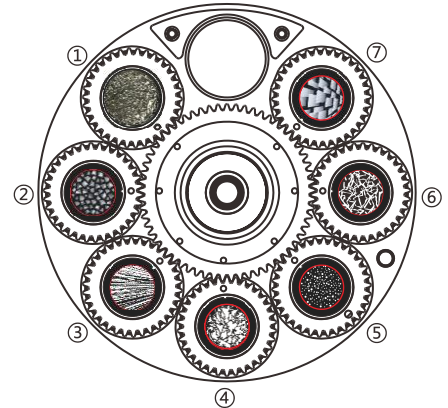
05/ Effect Wheels



COLOR WHEEL



STATIC GOBO WHEEL

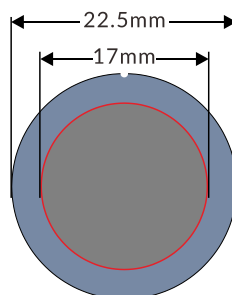


ROTATING GOBO WHEEL

DANGER!

Install the rotating gobos with the device switched off only.
Unplug from mains before changing the rotating gobos!

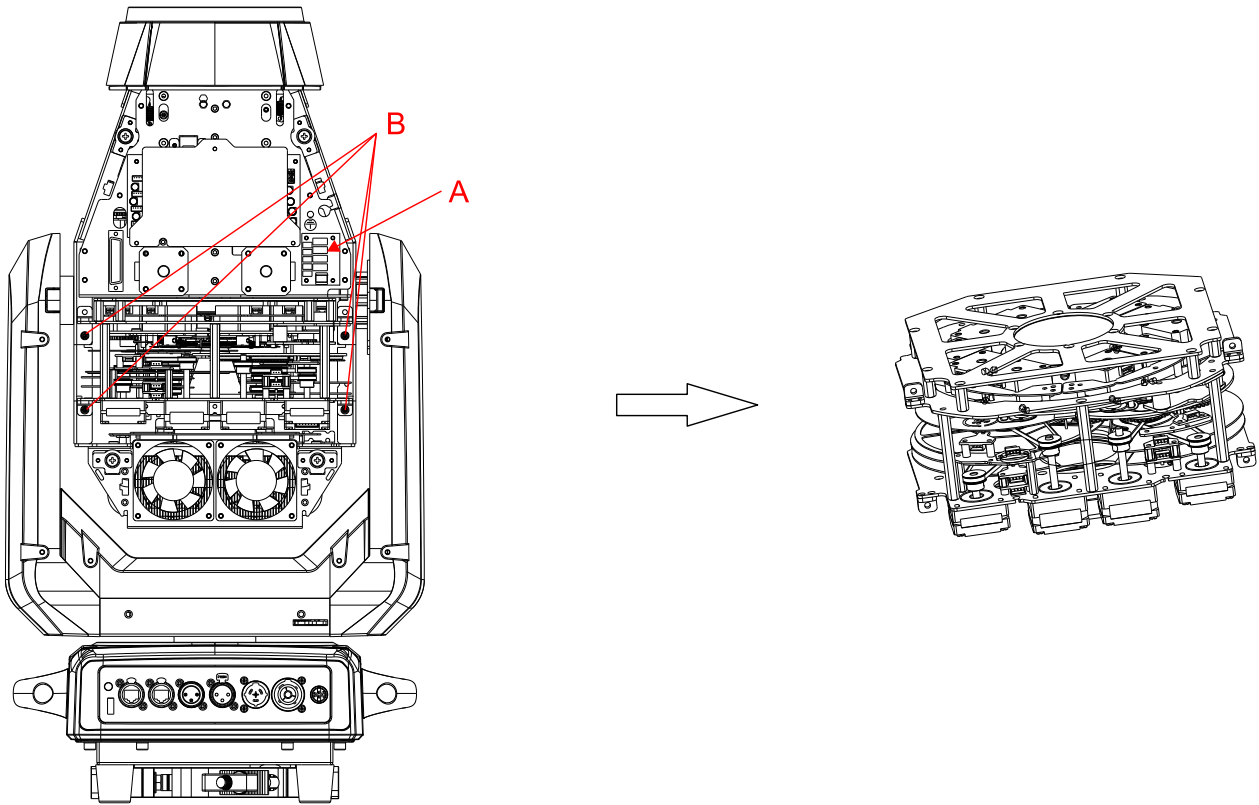
R-Gobos	Part Number
① Gobo1	3015000886
② Gobo2	3011001102
③ Gobo3	3011001101
④ Gobo4	3011001100
⑤ Gobo5	3011001099
⑥ Gobo6	3011001098
⑦ Gobo7	3011001097



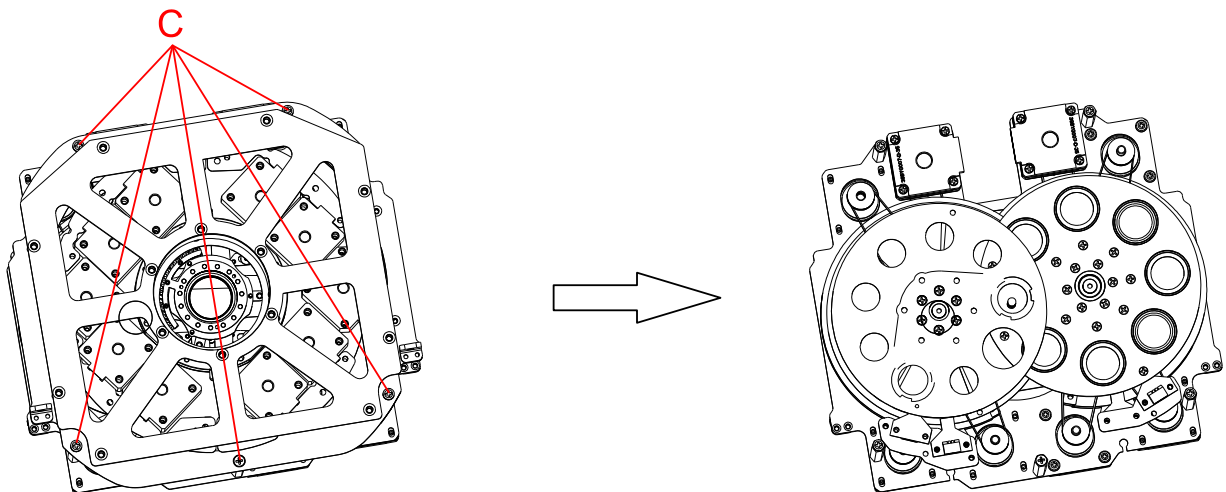
Rotating Gobos
Dimensions

5.1 Replacing Rotating Gobos

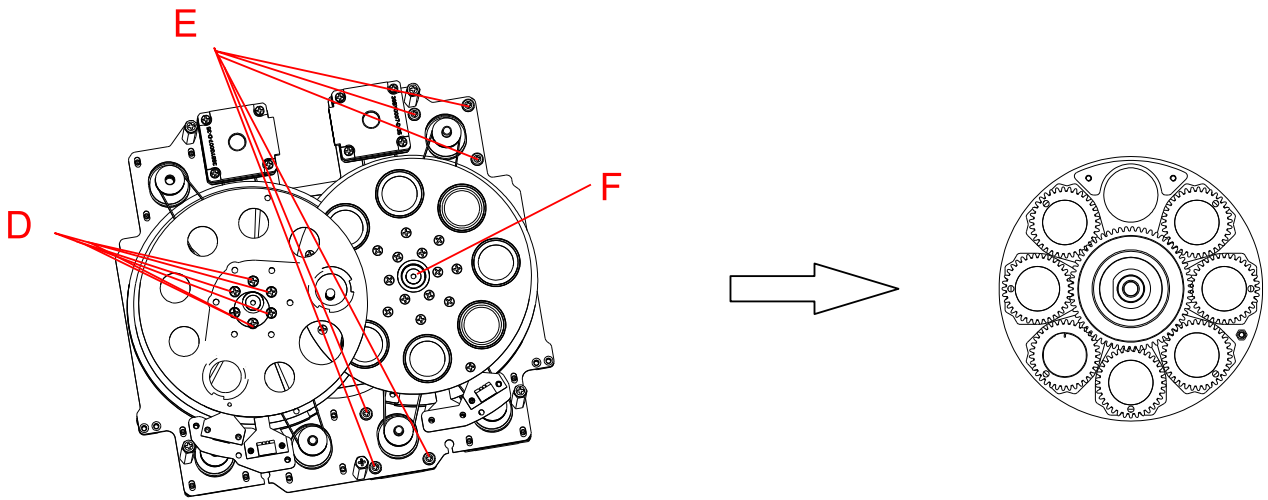
1. Unplug the power and signal adapter cables at A and unscrew the four screws at B to take out the component.



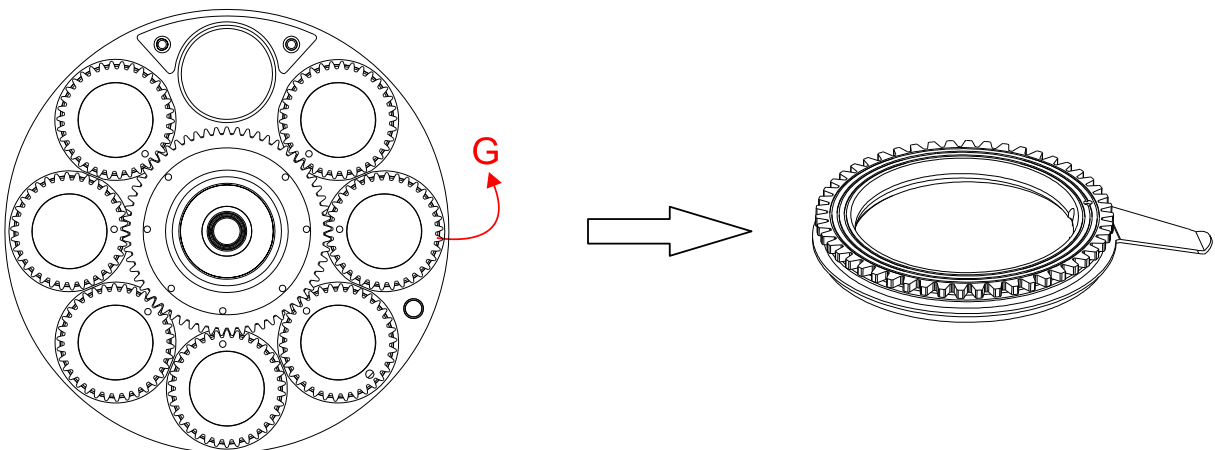
2. Unscrew the six screws at C to separate the GOBO component.



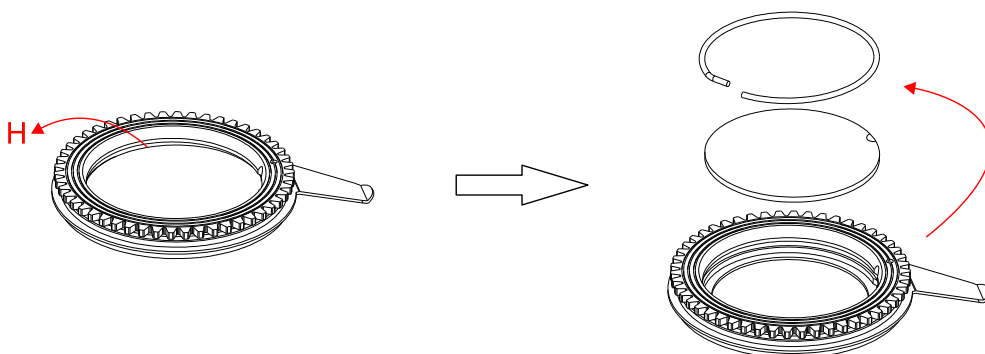
3. Unscrew the six screws at D to take out the static gobo wheel. Half loosen the six screws at E and remove the belt; Unscrew the screw at F, then take out the rotating gobo wheel component.



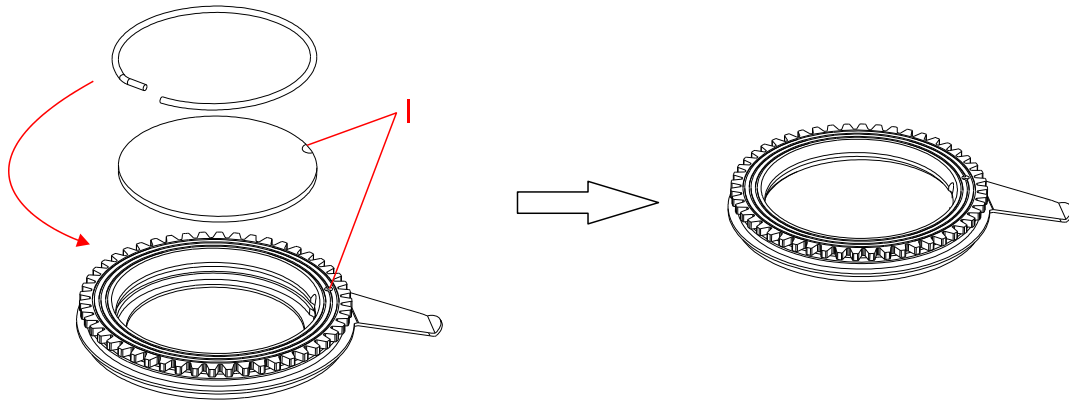
4. Gently lift the gobo holder from the edge of the rotating gobo wheel (reverse side) as G shows and slowly pull it out.



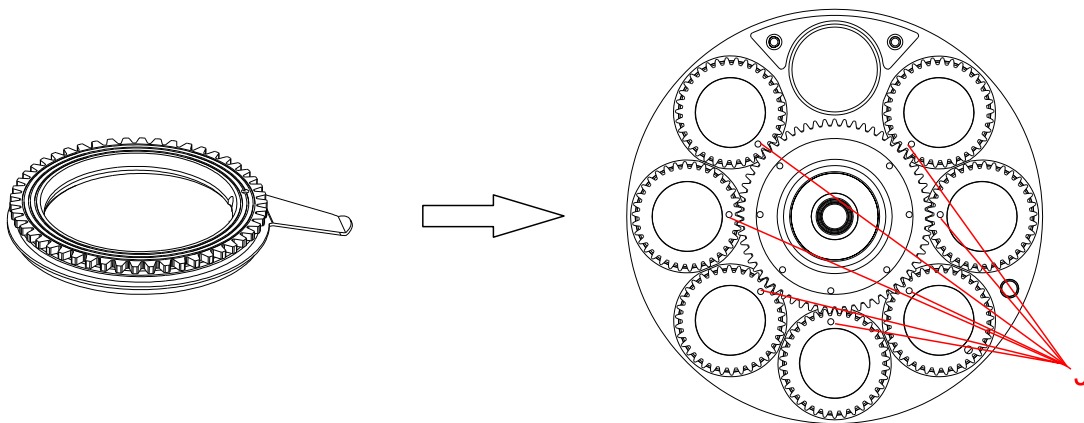
5. Remove the spring lock at H with an appropriate tool like tweezers (if the gobo is coated with glass glue, do remove it with some good glass cleaning fluid before removing the spring lock to avoid damage to the gobo).



6. Do not touch the surface of the gobo with bare fingers. The gobo has a small position point at its edge which has to aim at the position point on the gobo holder like I shows (glossy side towards the light source).



7. Insert the gobo holder back into the rotating gobo wheel component in this way that its position point has to exactly aim at the center of the rotating gobo wheel.



8. After installation, put the component back to the fixture.

06/ How To Set The Unit

6.1 Main Functions

- ▶ To access the control menus, press the [MENU] button.
- ▶ Navigate the menu structure, using the [ENTER], [▲ UP] and [▼ DOWN] buttons.
- ▶ To select a menu option or to confirm a selection, press the [ENTER] button.
- ▶ To return to a higher level in the menu structure without making a change, press the [MENU] button, or wait 30 seconds.

The main functions are shown below:

MENU	SUBMENU	OPTIONS		
DMX Settings	DMX Address	1-480 (33 CH)	(Default=1)	
		1-489 (24 CH)		
		1-485 (28 CH)		
	DMX Channel Mode	Mode 1 (33)		
		Mode 2 (24)		
		Mode 3 (28)		
	No DMX Status	Blackout		
		Hold		
		Manual		
	Connect Option	Auto		
		DMX		
		Art-Net		
		sACN		
	Network	IP Address	Default 1:002.xxx.xxx.xxx	
			Default 2:010.xxx.xxx.xxx	
		Manual:xxx.xxx.xxx.xxx		
		Sub-Net Mask	xxx.xxx.xxx.xxx	
	Art-Net Settings	Net	0-127	(Default=0)
		Sub-Net	0-15	(Default=0)
		Universe	0-15	(Default=0)
sACN Settings	sACN Universe	1-32000	(Default=1)	
	sACN Priority	0-200	(Default=100)	
Network to DMX	No			
	Yes			
	View DMX Value			

MENU	SUBMENU	OPTIONS		
Fixture Settings	Pan Invert	No		
		Yes		
	Tilt Invert	No		
		Yes		
	P/T Feedback	No		
		Yes		
	Dimmer Speed	Fast		
		Smooth		
	Dimmer Curve	Linear		
		Square Law		
Inv SQ Law				
S Curve				
Cooling Mode	Auto			
	Quiet			
Display Settings	Display Invert	No		
		Yes		
	Backlight Intensity	1-10	(Default=10)	
	Temperature Unit	°C		
		°F		
Language	English			
	Chinese			
Fixture Test	Auto Test	Single		
		Cycle		
	Manual Test			
Fixture Information	Fixture Use Hour			
	LED Use Hour	Total LED Hour		
		LED On Hour		
		LED Hours Reset	Password=050	
	Temperature			
	Fan State	Head Fan 1-7		
		Base Fan 1-2		
		Arm Fan 1		
	USB Upgrade File			
	Firmware Version			
	RDM UID			
Error Logs	Fixture Errors			
	Reset Error Log	No		
		Yes	Password=050	

MENU	SUBMENU	OPTIONS
Reset Functions	Pan/Tilt Reset	No
		Yes
	Effect Reset	No
		Yes
	All Reset	No
		Yes
Special Functions	Factory Restore	No
		Yes

DMX Settings

Enter the control menu and select **DMX Settings**, press ENTER. Use the UP/DOWN button to select **DMX Address**, **DMX Channel Mode**, **No DMX Status**, **Connect Option**, **Network**, **Art-Net Settings**, **sACN Settings**, **Network to DMX** or **View DMX Value**.

DMX Address

Select **DMX Address**, press ENTER.

Use UP/DOWN button to select an address, confirm your selection with ENTER.

CHANNEL MODE	DMX ADDRESS
Mode 1 (33)	1-480
Mode 2 (24)	1-489
Mode 3 (28)	1-485

To exit the menu, press MENU, or wait 30 seconds.

DMX Channel Mode

Select **DMX Channel Mode**, press ENTER.

Use UP/DOWN button to select between **Mode 1 (33)**, **Mode 2 (24)** and **Mode 3 (28)**, confirm your selection with ENTER.

To exit the menu, press MENU, or wait 30 seconds.

No DMX Status

Select **No DMX Status**, press ENTER.

Use UP/DOWN button to select one of the following status:

Blackout (Fixture blacks out if DMX signal stops)

Hold (The device continues to operate in the current mode with the last active DMX values until the signal returns)

Manual (The device accepts the DMX value stored in the 'Manual Test' menu)

Confirm your selection with ENTER.

To exit the menu, press MENU, or wait 30 seconds.

Connect Option

Select **Connect Option**, press ENTER.

Use UP/DOWN button to select **Auto**, **DMX**, **Art-Net** or **sACN**, confirm your selection with ENTER.

To exit the menu, press MENU, or wait 30 seconds.

Network

Select **Network**, press ENTER.

Use UP/DOWN button to select **IP Address** or **Subnet Mask**, confirm your selection with ENTER.

To exit the menu, press MENU, or wait 30 seconds.

Art-Net Settings

Select **Art-Net Settings**, press ENTER.

Use UP/DOWN button to select **Net**, **Sub-Net** or **Universe**, confirm your selection with ENTER.

To exit the menu, press MENU, or wait 30 seconds.

sACN Settings

Select **sACN Settings**, press ENTER.

Use UP/DOWN button to select **sACN Universe** or **sACN Priority**, confirm your selection with ENTER.

To exit the menu, press MENU, or wait 30 seconds.

Network to DMX

Select **Network to DMX**, press ENTER.

Use UP/DOWN button to select **No** or **Yes**, confirm your selection with ENTER.

To exit the menu, press MENU, or wait 30 seconds.

View DMX Value

Select **View DMX Value**, press ENTER.

Use UP/DOWN button to select the desired DMX channel, for which the value is to be displayed.

To exit the menu, press MENU, or wait 30 seconds.

Fixture Settings

Enter the control menu and select **Fixture Settings**, press ENTER. Use the UP/DOWN button to select **Pan Invert**, **Tilt Invert**, **P/T Feedback**, **Dimmer Speed**, **Dimmer Curve** or **Cooling Mode**.

Pan Invert

Select **Pan Invert**, press ENTER.

Use UP/DOWN button to select **No** (pan invert deactivated) or **Yes** (pan invert activated), confirm your selection with ENTER.

To exit the menu, press MENU, or wait 30 seconds.

Tilt Invert

Select **Tilt Invert**, press ENTER.

Use UP/DOWN button to select **No** (tilt invert deactivated) or **Yes** (tilt invert activated), confirm your selection with ENTER.

To exit the menu, press MENU, or wait 30 seconds.

P/T Feedback

Select **P/T Feedback**, press ENTER.

Use UP/DOWN button to select **No** (pan/tilt feedback deactivated) or **Yes** (pan/tilt feedback activated), confirm your selection with ENTER.

To exit the menu, press MENU, or wait 30 seconds.

Dimmer Speed

Select **Dimmer Speed**, press ENTER.

Use UP/DOWN button to select **Fast** or **Smooth**, confirm your selection with ENTER.

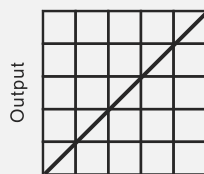
To exit the menu, press MENU, or wait 30 seconds.

Dimmer Curve

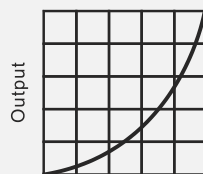
Select **Dimmer Curve**, press ENTER.

Use UP/DOWN button to select **Linear**, **Square Law**, **Inv SQ Law** or **S Curve**, confirm your selection with ENTER.

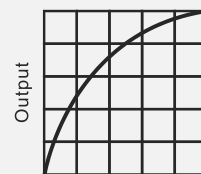
Dimmer Modes



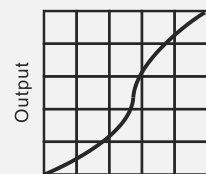
Optically Linear



Square Law



Inverse Square Law



S-curve

To exit the menu, press MENU, or wait 30 seconds.

Cooling Mode

Select **Cooling Mode**, press ENTER.

Use UP/DOWN button to select **Auto** or **Quiet**, confirm your selection with ENTER.

To exit the menu, press MENU, or wait 30 seconds.

Display Settings

Enter the control menu and select **Display Settings**, press ENTER. Use the UP/DOWN button to select **Display Invert**, **Backlight Intensity**, **Temperature Unit** or **Language**.

Display Invert

Select **Display Invert**, press ENTER.

Use UP/DOWN button to select **No** (display normal) or **Yes** (display inverted), confirm your selection with ENTER.

To exit the menu, press MENU, or wait 30 seconds.

Backlight Intensity

Select **Backlight Intensity**, press ENTER.

Use UP/DOWN button to select a value between **1** (dark) and **10** (bright), confirm your selection with ENTER.

To exit the menu, press MENU, or wait 30 seconds.

Temperature Unit

Select **Temperature Unit**, press ENTER.

Use UP/DOWN button to select **°C** or **°F**, confirm your selection with ENTER.

To exit the menu, press MENU, or wait 30 seconds.

Language

Select **Language**, press ENTER.

Use UP/DOWN button to select **English** or **Chinese**, confirm your selection with ENTER.

To exit the menu, press MENU, or wait 30 seconds.

Fixture Test

Enter the control menu and select **Fixture Test**, press ENTER. Use the UP/DOWN button to select **Auto Test** or **Manual Test**.

Auto Test

Select **Auto Test**, press ENTER.

Use UP/DOWN button to select **Single** (the device immediately performs a single automatic self-test) or **Cycle** (the device immediately performs a cyclic automatic self-test), confirm your selection with ENTER.

To exit the menu, press MENU.

Manual Test

Select **Manual Test**, press ENTER.

Use UP/DOWN button to select the channel for which the manual test is to be performed, confirm your selection with ENTER.

Use UP/DOWN button to select a value, confirm your selection with ENTER.

To exit the menu, press MENU.

(The device returns to its original DMX state after the manual test. The test values are saved automatically when the device is switched off.)

Fixture Information

Enter the control menu and select **Fixture Information**, press ENTER. Use the UP/DOWN button to select **Fixture Use Hour**, **LED Use Hour**, **Temperature**, **Fan State**, **USB Upgrade File**, **Firmware Version**, **RDM UID** or **Error Logs**.

Fixture Use Hour

Select **Fixture Use Hour**, press ENTER.
The operating hours is displayed.
To exit the menu, press MENU, or wait 30 seconds.

LED Use Hour

Select **LED Use Hour**, press ENTER.
Use UP/DOWN button to select **Total LED Hour** (total time) or **LED On Hour** (current switch-on time), confirm your selection with ENTER.
The total time or current switch-on time is displayed.
Use UP/DOWN button to select **LED Hours Reset**, confirm your selection with ENTER.
Use UP/DOWN button to set the password 050, confirm your selection with ENTER. The LED operating hours is reset.
To exit the menu, press MENU, or wait 30 seconds.

Temperature

Select **Temperature**, press ENTER.
The device temperature is displayed.
To exit the menu, press MENU, or wait 30 seconds.

Fan State

Select **Fan State**, press ENTER.
The fan status is displayed.
To exit the menu, press MENU, or wait 30 seconds.

USB Upgrade File

Select **USB Upgrade File**, press ENTER.

The upgrade file is displayed.

To exit the menu, press MENU, or wait 30 seconds.

Firmware Version

Select **Firmware Version**, press ENTER.

The firmware version is displayed.

To exit the menu, press MENU, or wait 30 seconds.

RDM UID

Select **RDM UID**, press ENTER.

The RDM UID is displayed.

To exit the menu, press MENU, or wait 30 seconds.

Error Logs

Select **Error Logs**, press ENTER.

Use UP/DOWN button to select **Fixture Errors**, confirm your selection with ENTER.

The error list is displayed.

Use UP/DOWN button to select **Reset Error Log**, confirm your selection with ENTER.

If you wish to reset the relevant error logs, select **Yes**. If you do not wish to reset anything, select **No**. Confirm your selection with ENTER.

If you select **Yes**, use UP/DOWN button to set the password 050, confirm your selection with ENTER. The relevant error logs are reset.

To exit the menu, press MENU, or wait 30 seconds.

Reset Functions

Enter the control menu and select **Reset Functions**, press ENTER. Use the UP/DOWN button to select **Pan/Tilt Reset**, **Effect Reset** or **All Reset**.

Pan/Tilt Reset

Select **Pan/Tilt Reset**, press ENTER.

Use UP/DOWN button to select **No** or **Yes** (the device will run built-in program to reset pan/tilt to their home positions), confirm your selection with ENTER.

To exit the menu, press MENU, or wait 30 seconds.

Effect Reset

Select **Effect Reset**, press ENTER.

Use UP/DOWN button to select **No** or **Yes** (the device will run built-in program to reset effect to their home positions), confirm your selection with ENTER.

To exit the menu, press MENU, or wait 30 seconds.

All Reset

Select **All Reset**, press ENTER.

Use UP/DOWN button to select **No** or **Yes** (the device will run built-in program to reset all to their home positions), confirm your selection with ENTER.

To exit the menu, press MENU, or wait 30 seconds.

Special Functions

Enter the control menu and select **Special Functions**, press ENTER. Use the UP/DOWN button to select **Factory Restore**.

Factory Restore

Select **Factory Restore**, press ENTER.

If you wish to reset the device to the factory settings, select **Yes**. If you do not wish to reset anything, select **No**. Confirm your selection with ENTER.

To exit the menu, press MENU, or wait 30 seconds.

RDM functions: Certain menus of the device and functions can be called up via the RDM protocol.

The parameter IDs are implemented as follows for different commands:

Parameter ID	Command 'Discovery'	Command 'Set'	Command 'Get'
DISC_UNIQUE_BRANCH	✓		
DISC_MUTE	✓		
DISC_UN_MUTE	✓		
DEVICE_INFO			✓
SUPPORTED_PARAMETERS			✓
SOFTWARE_VERSION_LABEL			✓
DMX_START_ADDRESS		✓	✓
IDENTIFY_DEVICE		✓	✓
DEVICE_MODEL_DESCRIPTION			✓
PARAMETER_DESCRIPTION			✓
MANUFACTURER_LABEL			✓
DEVICE_LABEL		✓	✓
FACTORY_DEFAULTS		✓	✓
BOOT_SOFTWARE_VERSION_ID			✓
BOOT_SOFTWARE_VERSION_LABEL			✓
DMX_PERSONALITY		✓	✓
DMX_PERSONALITY_DESCRIPTION			✓
SLOT_INFO			✓
SLOT_DESCRIPTION			✓
SENSOR_DEFINITION			✓
SENSOR_VALUE			✓
DEVICE_HOURS			✓
LAMP_HOURS			✓
PAN_INVERT		✓	✓
TILT_INVERT		✓	✓
RESET_DEVICE		✓	
CURVE		✓	✓
DMX_STATE		✓	✓
DIMMER_SPEED		✓	✓

✓ -Command implemented for the respective parameter ID

6.2 Home Position Adjustment

- ▶ To access the control menus, press the [MENU] button.
- ▶ To access the offset menus, long-press the [ENTER] button.
- ▶ Navigate the offset menus, using the [ENTER], [▲ UP] and [▼ DOWN] buttons.
- ▶ To select a menu option or to confirm a selection, press the [ENTER] button.
- ▶ To return to a higher level in the menu structure without making a change, press the [MENU] button, or wait 30 seconds.

OFFSET MENU	VALUES
Dimmer	0~999
Frequency(Hz)	1072~1327
Pan	-128~127
Tilt	-128~127
Cyan	-128~127
Magenta	-128~127
Yellow	-128~127
Color	-128~127
CTO	-128~127
Gobo 1	-128~127
R-Gobo 1	-128~127
Gobo 2	-128~127
Prism	-128~127
R-Prism	-128~127
Iris	-128~127
Frost 1	-128~127
Frost 2	-128~127
Focus	-128~127
Zoom	-128~127
Framing	-128~127
Blade DW 1	0~255
Blade DW 2	0~255
Blade UP 1	0~255
Blade UP 2	0~255
Blade LF 1	0~255
Blade LF 2	0~255
Blade RG 1	0~255
Blade RG 2	0~255

Dimmer

Select **Dimmer**, press ENTER.

Use UP/DOWN button to select a value between 0 and 999, confirm your selection with ENTER.

To exit the offset menu, press MENU, or wait 30 seconds.

Frequency(Hz)

Select **Frequency(Hz)**, press ENTER.

Use UP/DOWN button to select a value between 1072 and 1327, confirm your selection with ENTER.

To exit the offset menu, press MENU, or wait 30 seconds.

Pan

Select **Pan**, press ENTER.

Use UP/DOWN button to select a value between -128 and 127, confirm your selection with ENTER.

To exit the offset menu, press MENU, or wait 30 seconds.

Tilt

Select **Tilt**, press ENTER.

Use UP/DOWN button to select a value between -128 and 127, confirm your selection with ENTER.

To exit the offset menu, press MENU, or wait 30 seconds.

Cyan

Select **Cyan**, press ENTER.

Use UP/DOWN button to select a value between -128 and 127, confirm your selection with ENTER.

To exit the offset menu, press MENU, or wait 30 seconds.

Magenta

Select **Magenta**, press ENTER.

Use UP/DOWN button to select a value between -128 and 127, confirm your selection with ENTER.

To exit the offset menu, press MENU, or wait 30 seconds.

Yellow

Select **Yellow**, press ENTER.

Use UP/DOWN button to select a value between -128 and 127, confirm your selection with ENTER.

To exit the offset menu, press MENU, or wait 30 seconds.

Color

Select **Color**, press ENTER.

Use UP/DOWN button to select a value between -128 and 127, confirm your selection with ENTER.

To exit the offset menu, press MENU, or wait 30 seconds.

CTO

Select **CTO**, press ENTER.

Use UP/DOWN button to select a value between -128 and 127, confirm your selection with ENTER.

To exit the offset menu, press MENU, or wait 30 seconds.

Gobo 1

Select **Gobo 1**, press ENTER.

Use UP/DOWN button to select a value between -128 and 127, confirm your selection with ENTER.

To exit the offset menu, press MENU, or wait 30 seconds.

R-Gobo 1

Select **R-Gobo 1**, press ENTER.

Use UP/DOWN button to select a value between -128 and 127, confirm your selection with ENTER.

To exit the offset menu, press MENU, or wait 30 seconds.

Gobo 2

Select **Gobo 2**, press ENTER.

Use UP/DOWN button to select a value between -128 and 127, confirm your selection with ENTER.

To exit the offset menu, press MENU, or wait 30 seconds.

Prism

Select **Prism**, press ENTER.

Use UP/DOWN button to select a value between -128 and 127, confirm your selection with ENTER.

To exit the offset menu, press MENU, or wait 30 seconds.

R-Prism

Select **R-Prism**, press ENTER.

Use UP/DOWN button to select a value between -128 and 127, confirm your selection with ENTER.

To exit the offset menu, press MENU, or wait 30 seconds.

Iris

Select **Iris**, press ENTER.

Use UP/DOWN button to select a value between -128 and 127, confirm your selection with ENTER.

To exit the offset menu, press MENU, or wait 30 seconds.

Frost 1

Select **Frost 1**, press ENTER.

Use UP/DOWN button to select a value between -128 and 127, confirm your selection with ENTER.

To exit the offset menu, press MENU, or wait 30 seconds.

Frost 2

Select **Frost 2**, press ENTER.

Use UP/DOWN button to select a value between -128 and 127, confirm your selection with ENTER.

To exit the offset menu, press MENU, or wait 30 seconds.

Focus

Select **Focus**, press ENTER.

Use UP/DOWN button to select a value between -128 and 127, confirm your selection with ENTER.

To exit the offset menu, press MENU, or wait 30 seconds.

Zoom

Select **Zoom**, press ENTER.

Use UP/DOWN button to select a value between -128 and 127, confirm your selection with ENTER.

To exit the offset menu, press MENU, or wait 30 seconds.

Framing

Select **Framing**, press ENTER.

Use UP/DOWN button to select a value between -128 and 127, confirm your selection with ENTER.

To exit the offset menu, press MENU, or wait 30 seconds.

Blade DW 1

Select **Blade DW 1**, press ENTER.

Use UP/DOWN button to select a value between 0 and 255, confirm your selection with ENTER.

To exit the offset menu, press MENU, or wait 30 seconds.

Blade DW 2

Select **Blade DW 2**, press ENTER.

Use UP/DOWN button to select a value between 0 and 255, confirm your selection with ENTER.

To exit the offset menu, press MENU, or wait 30 seconds.

Blade UP 1

Select **Blade UP 1**, press ENTER.

Use UP/DOWN button to select a value between 0 and 255, confirm your selection with ENTER.

To exit the offset menu, press MENU, or wait 30 seconds.

Blade UP 2

Select **Blade UP 2**, press ENTER.

Use UP/DOWN button to select a value between 0 and 255, confirm your selection with ENTER.

To exit the offset menu, press MENU, or wait 30 seconds.

Blade LF 1

Select **Blade LF 1**, press ENTER.

Use UP/DOWN button to select a value between 0 and 255, confirm your selection with ENTER.

To exit the offset menu, press MENU, or wait 30 seconds.

Blade LF 2

Select **Blade LF 2**, press ENTER.

Use UP/DOWN button to select a value between 0 and 255, confirm your selection with ENTER.

To exit the offset menu, press MENU, or wait 30 seconds.

Blade RG 1

Select **Blade RG 1**, press ENTER.

Use UP/DOWN button to select a value between 0 and 255, confirm your selection with ENTER.

To exit the offset menu, press MENU, or wait 30 seconds.

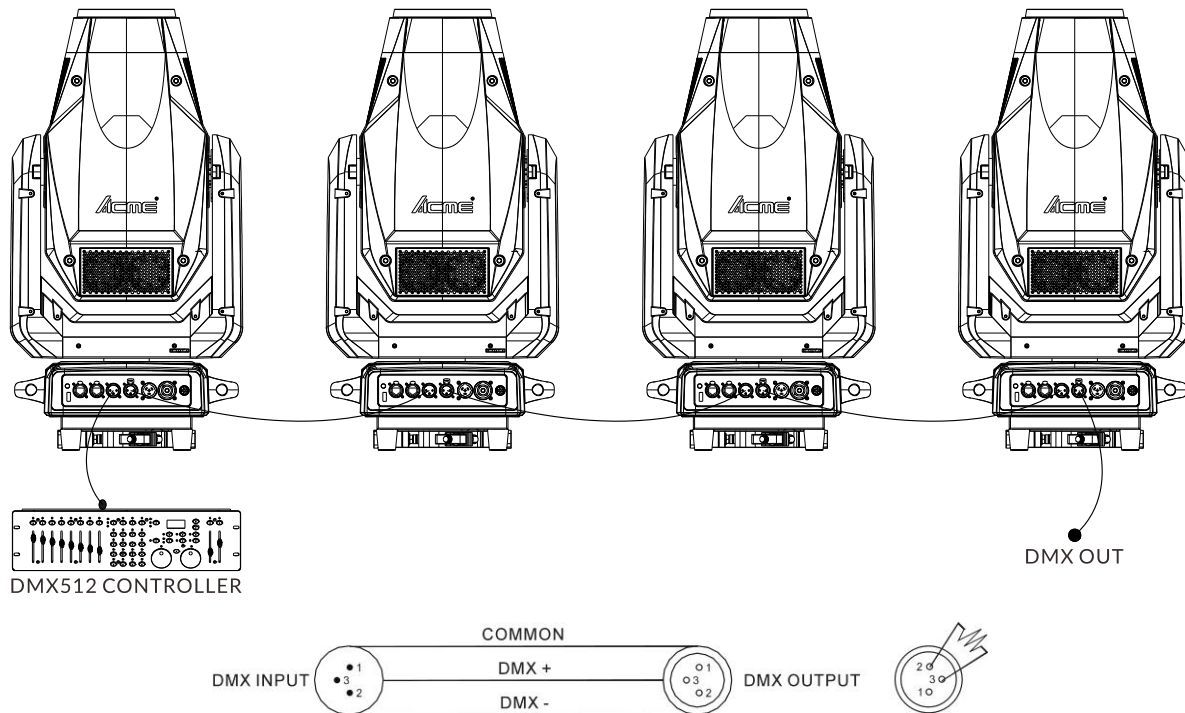
Blade RG 2

Select **Blade RG 2**, press ENTER.

Use UP/DOWN button to select a value between 0 and 255, confirm your selection with ENTER.

To exit the offset menu, press MENU, or wait 30 seconds.

7.1 DMX512 Connection



1. At last unit, the DMX cable has to be terminated with a terminator. Solder a 120-ohm 1/4W resistor between pin 2(DMX-) and pin 3(DMX+) into a 3-pin XLR-plug and plug it in the DMX-output of the last unit.
2. Connect the unit together in a “daisy chain” by XLR plug cable from the output of the unit to the input of the next unit. The cable can only be used in series and cannot be connected in parallel. DMX 512 is a very high-speed signal. Inadequate or damaged cables, soldered joints or corroded connectors can easily distort the signal and shut down the system.
3. The DMX output and input connectors are pass-through to maintain the DMX circuit, when one of the units’ power is disconnected.
4. Each lighting unit needs to have a DMX address to receive the data by the controller. The address number is between 1-512.
5. The end of the DMX 512 system should be terminated to reduce signal errors.
6. When wiring 3 pin XLR connectors: Pin 1: GND, Pin 2: Negative signal (-), Pin 3: Positive signal (+). When wiring 5 pin XLR connectors: Pin 1: GND, Pin 2: Negative signal (-), Pin 3: Positive signal (+), Pin4, Pin5 not used.

7.2 Address Setting

If you use a universal DMX controller to control the units, you have to set DMX address between 1 and 512 so that the units can receive DMX signal.

Press the MENU button to access the control menus, select DMX Settings, press the ENTER button to confirm. Use the UP/DOWN button to select DMX Address, press the ENTER button to confirm, the present address will show on the display. Use the UP/DOWN button to adjust the address between 001 and 512, press the ENTER button to store. To exit the menu, press MENU, or wait 30 seconds.

Please refer to the following diagram to address your DMX512 channel for the first 4 units.

Channel Mode	Unit 1 Address	Unit 2 Address	Unit 3 Address	Unit 4 Address
33 channels	1	34	67	100
24 channels	1	25	49	73
28 channels	1	29	57	85

7.3 DMX512 Configuration

Please control the fixture by referring to the configurations below.

Attentions:

- ▶ The unit will maintain the last condition until reset if you cut-off the DMX signal.
- ▶ For the channel Function, keep the value for about 3 seconds, then the corresponding function will take into effect.

CHANNEL			VALUE	FUNCTION
33ch	24ch	28ch		
1	1	1	000-255	PAN 0°→540°
2	2	2	000-255	PAN FINE
3	3	3	000-255	TILT 0°→260°
4	4	4	000-255	TILT FINE
5	5	5	000-255	PAN/TILT SPEED Fast to Slow
6	6	6	000-255	CYAN 0%→100%
7	7	7	000-255	MAGENTA 0%→100%
8	8	8	000-255	YELLOW 0%→100%
9	9	9	000-255	CTO 0%→100%
10	10	10	000-009 010-018 019-027 028-036 037-045 046-054 055-063 064-127 128-189 190-193 194-255	COLOR WHEEL Open Color 1 Color 2 Color 3 Color 4 Color 5 Color 6 Color Wheel Indexing Counter-Clockwise Rotation, Fast to Slow Stop Clockwise Rotation, Slow to Fast
11	11		000-007 008-015 016-023 024-031 032-039 040-047 048-055 056-063 064-072 073-081 082-090 091-099 100-108	GOBO WHEEL 1 Open Gobo 1 Gobo 2 Gobo 3 Gobo 4 Gobo 5 Gobo 6 Gobo 7 Gobo 1 Shaking, Slow to Fast Gobo 2 Shaking, Slow to Fast Gobo 3 Shaking, Slow to Fast Gobo 4 Shaking, Slow to Fast Gobo 5 Shaking, Slow to Fast

			109-117 118-127 128-189 190-193 194-255	Gobo 6 Shaking, Slow to Fast Gobo 7 Shaking, Slow to Fast Counter-Clockwise Rotation, Fast to Slow Stop Clockwise Rotation, Slow to Fast
12	12		000-127 128-189 190-193 194-255	R-GOBO WHEEL 1 Index 0°→360° Clockwise Rotation, Fast to Slow Stop Counter-Clockwise Rotation, Slow to Fast
13	13		000-007 008-014 015-021 022-028 029-035 036-042 043-049 050-056 057-063 064-071 072-079 080-087 088-095 096-103 104-111 112-119 120-127 128-189 190-193 194-255	GOBO WHEEL 2 Open Gobo 1 Gobo 2 Gobo 3 Gobo 4 Gobo 5 Gobo 6 Gobo 7 Gobo 8 Gobo 1 Shaking, Slow to Fast Gobo 2 Shaking, Slow to Fast Gobo 3 Shaking, Slow to Fast Gobo 4 Shaking, Slow to Fast Gobo 5 Shaking, Slow to Fast Gobo 6 Shaking, Slow to Fast Gobo 7 Shaking, Slow to Fast Gobo 8 Shaking, Slow to Fast Clockwise Rotation, Fast to Slow Stop Counter-Clockwise Rotation, Slow to Fast
14	14	11	000-255	IRIS 100%→0%
15	15		000-007 008-255	PRISM Close Open
16	16		000-127 128-189 190-193 194-255	R-PRISM Index 0°→360° Clockwise Rotation, Fast to Slow Stop Counter-Clockwise Rotation, Slow to Fast
17	17	12	000-007 008-255	FROST 1 (Light) Close Open
18	18	13	000-007 008-255	FROST 2 (Heavy) Close Open

19	19	14	000-255	ZOOM Wide→Narrow
20	20	15	000-255	FOCUS 0%→100%
21	21	16	000-007 008-015 016-131 132-139 140-181 182-189 190-231 232-239 240-247 248-255	STROBE Close Open Strobe from Slow to Fast Open Fast Open Slow Close from Slow to Fast Open Slow Open Fast Close from Slow to Fast Open Random Strobe from Slow to Fast Open
22	22	17	000-255	DIMMER 0%→100%
23	23	18	000-255	DIMMER FINE
24		19	000-255	BLADE 0°-180°
25		20	000-255	BLADE DW 1 0%→100%
26		21	000-255	BLADE DW 2 0%→100%
27		22	000-255	BLADE UP 1 0%→100%
28		23	000-255	BLADE UP 2 0%→100%
29		24	000-255	BLADE LF 1 0%→100%
30		25	000-255	BLADE LF 2 0%→100%
31		26	000-255	BLADE RG 1 0%→100%
32		27	000-255	BLADE RG 2 0%→100%
33	24	28	000-029 030-039 040-049 050-059 060-069 070-079 080-089 090-099	SPECIAL FUNCTION Null Dimmer Curve Square Law Dimmer Curve Inv Square Law Dimmer Curve Linear Dimmer Curve S Cooling Mode: Auto Cooling Mode: Quiet Null

			100-109	LED Frequency Setting Enable
			110-119	LED Frequency Setting Disable
			120-179	Null
			180-189	Dimmer Speed Fast
			190-199	Dimmer Speed Smooth
			200-209	Reset All
			210-219	Reset Effect
			220-229	Reset Pan/Tilt
			230-255	Null

08/ Error Information

Error codes are shown continuously in the display when the fixture fails and they will not disappear until the fixture is repaired.

CPU-B/C/D/E/F/G/H Error

Check whether the 485 (DATA) leads on the PCB board are installed in place or disconnected.

Check whether the related 485 (DATA) signal circuit on the PCB board is damaged.

Pan Reset Error

Check whether the position of the pan where the magnet is installed falls off or is damaged.

Check whether there are obstacles in the pan operating range.

Check whether the Hall element on the pan is damaged.

Check whether the lead connecting the Hall element on the pan and the PCB board is in poor contact or disconnected.

Check whether the motor on the pan is damaged.

Check whether the related circuit of the motor drive board on the pan is damaged.

Pan Encode Error

Check whether the encoder on the pan is damaged.

Check whether the lead connecting the encoder on the pan and the PCB board is in poor contact or disconnected.

Tilt Reset Error

Check whether the position of the tilt where the magnet is installed falls off or is damaged.

Check whether there are obstacles in the tilt operating range.

Check whether the Hall element on the tilt is damaged.

Check whether the lead connecting the Hall element on the tilt and the PCB board is in poor contact or disconnected.

Check whether the motor on the tilt is damaged.

Check whether the related circuit of the motor drive board on the tilt is damage.

Tilt Encode Error

Check whether the encoder on the tilt is damaged.

Check whether the lead connecting the encoder on the tilt and the PCB board is in poor contact or disconnected.

Cyan Reset Error

Check whether the position of the cyan color wheel where the magnet is installed falls off or is damaged.

Check whether there are obstacles in the cyan color wheel operating range.

Check whether the Hall element on the cyan color wheel is damaged.

Check whether the lead connecting the Hall element on the cyan color wheel and the PCB board is in poor contact or disconnected.

Check whether the motor on the cyan color wheel is damaged.

Check whether the related circuit of the motor drive board on the cyan color wheel is damage.

Magenta Reset Error

Check whether the position of the magenta color wheel where the magnet is installed falls off or is damaged.

Check whether there are obstacles in the magenta color wheel operating range.

Check whether the Hall element on the magenta color wheel is damaged.

Check whether the lead connecting the Hall element on the magenta color wheel and the PCB board is in poor contact or disconnected.

Check whether the motor on the magenta color wheel is damaged.

Check whether the related circuit of the motor drive board on the magenta color wheel is damage.

Yellow Reset Error

Check whether the position of the yellow color wheel where the magnet is installed falls off or is damaged.

Check whether there are obstacles in the yellow color wheel operating range.

Check whether the Hall element on the yellow color wheel is damaged.

Check whether the lead connecting the Hall element on the yellow color wheel and the PCB board is in poor contact or disconnected.

Check whether the motor on the yellow color wheel is damaged.

Check whether the related circuit of the motor drive board on the yellow color wheel is damage.

Cto Reset Error

Check whether the position of the cto where the magnet is installed falls off or is damaged.

Check whether there are obstacles in the cto operating range.

Check whether the Hall element on the cto is damaged.

Check whether the lead connecting the Hall element on the cto and the PCB board is in poor contact or disconnected.

Check whether the motor on the cto is damaged.

Check whether the related circuit of the motor drive board on the cto is damage.

Color Reset Error

Check whether the position of the color wheel where the magnet is installed falls off or is damaged.

Check whether there are obstacles in the color wheel operating range.

Check whether the Hall element on the color wheel is damaged.

Check whether the lead connecting the Hall element on the color wheel and the PCB board is in poor contact or disconnected.

Check whether the motor on the color wheel is damaged.

Check whether the related circuit of the motor drive board on the color wheel is damage.

Gobo1/2 Reset Error

Check whether the position of the gobo wheel 1/2 where the magnet is installed falls off or is damaged.

Check whether there are obstacles in the gobo wheel 1/2 operating range.

Check whether the Hall element on the gobo wheel 1/2 is damaged.

Check whether the lead connecting the Hall element on the gobo wheel 1/2 and the PCB board is in poor contact or disconnected.

Check whether the motor on the gobo wheel 1/2 is damaged.

Check whether the related circuit of the motor drive board on the gobo wheel 1/2 is damage.

R-Gobo1 Reset Error

Check whether the position of the gobo wheel 1 where the magnet is installed falls off or is damaged.

Check whether there are obstacles in the gobo wheel 1 operating range.

Check whether the Hall element on the gobo wheel 1 is damaged.

Check whether the lead connecting the Hall element on the gobo wheel 1 and the PCB board is in poor contact or disconnected.

Check whether the motor on the gobo wheel 1 is damaged.

Check whether the related circuit of the motor drive board on the gobo wheel 1 is damage.

Blade Reset Error

Check whether the position of the blade where the magnet is installed falls off or is damaged.

Check whether there are obstacles in the blade operating range.

Check whether the Hall element on the blade is damaged.

Check whether the lead connecting the Hall element on the blade and the PCB board is in poor contact or disconnected.

Check whether the motor on the blade is damaged.

Check whether the related circuit of the motor drive board on the blade is damage.

Prism Reset Error

Check whether the position of the prism where the magnet is installed falls off or is damaged.

Check whether there are obstacles in the prism operating range.

Check whether the Hall element on the prism is damaged.

Check whether the lead connecting the Hall element on the prism and the PCB board is in poor contact or disconnected.

Check whether the motor on the prism is damaged.

Check whether the related circuit of the motor drive board on the prism is damage.

R-Prism Reset Error

Check whether the position of the prism where the magnet is installed falls off or is damaged.

Check whether there are obstacles in the prism operating range.

Check whether the Hall element on the prism is damaged.

Check whether the lead connecting the Hall element on the prism and the PCB board is in poor contact or disconnected.

Check whether the motor on the prism is damaged.

Check whether the related circuit of the motor drive board on the prism is damage.

Focus Reset Error

Check whether the position of the focus where the magnet is installed falls off or is damaged.

Check whether there are obstacles in the focus operating range.

Check whether the Hall element on the focus is damaged.

Check whether the lead connecting the Hall element on the focus and the PCB board is in poor contact or disconnected.

Check whether the motor on the focus is damaged.

Check whether the related circuit of the motor drive board on the focus is damage.

Zoom Reset Error

Check whether the position of the zoom where the magnet is installed falls off or is damaged.

Check whether there are obstacles in the zoom operating range.

Check whether the Hall element on the zoom is damaged.

Check whether the lead connecting the Hall element on the zoom and the PCB board is in poor contact or disconnected.

Check whether the motor on the zoom is damaged.

Check whether the related circuit of the motor drive board on the zoom is damaged.

Led Temp. Error

Check whether the temperature detecting board is normal.

Check whether the components of the temperature detecting board are damaged.

Check whether the lead on the temperature detecting board is installed in place or disconnected.

Led Temp. Too High

Check if the fan is working properly.

Check if the fan speed is normal.

Check if the ambient temperature is abnormal.

BaseFan1/2 Start Err

Check whether the fan is not running.

Check whether the fan leads are installed in place or disconnected.

Check whether the fan is damaged.

Check whether there are obstacles in the fan operating range.

BaseFan1/2 Too Low

Check whether the fan is out of order.

Check whether there are obstacles in the fan operating range.

BaseFan1 Too High

Check whether the fan is out of order.
Check whether the fan circuit on the motherboard breaks down.

HeadFan1/2/3/4/5/6/7 Start Err

Check whether the fan is not running.
Check whether the fan leads are installed in place or disconnected.
Check whether the fan is damaged.
Check whether there are obstacles in the fan operating range.

HeadFan1/2/3/4/5/6/7 Too Low

Check whether the fan is out of order.
Check whether there are obstacles in the fan operating range.

HeadFan1/2/3/4/5/6/7 Too High

Check whether the fan is out of order.
Check whether the fan circuit on the motherboard breaks down.

ArmFan1 Start Err

Check whether the fan is not running.
Check whether the fan leads are installed in place or disconnected.
Check whether the fan is damaged.
Check whether there are obstacles in the fan operating range.

ArmFan1 Too Low

Check whether the fan is out of order.
Check whether there are obstacles in the fan operating range.

ArmFan1 Too High

Check whether the fan is out of order.
Check whether the fan circuit on the motherboard breaks down.

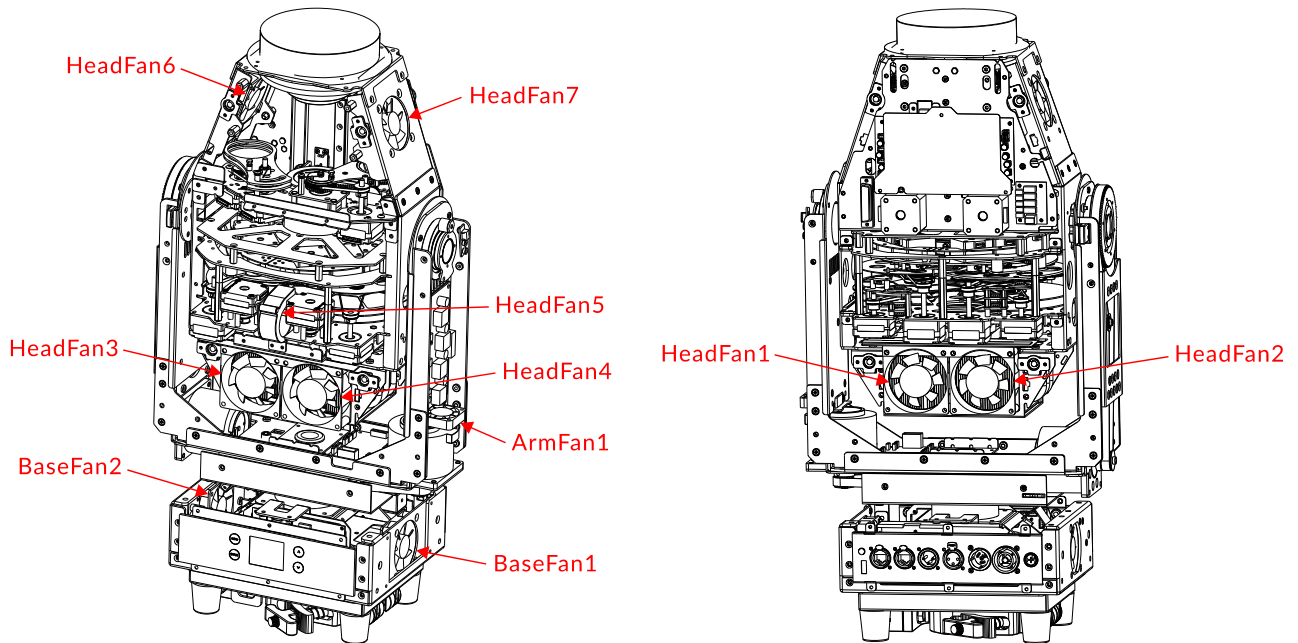
Network Error

Check whether the net model is installed in place.

Check whether the net model is damaged.

Check whether the network is normal.

Position of cooling fans:



09/ Troubleshooting

Following are a few common problems that may occur during operation. Here are some suggestions for troubleshooting:

A. The unit does not work, no light and the fan does not work

- ▶ Check the connected power and main fuse.
- ▶ Measure the voltage.
- ▶ Check the power indicator to see whether it can be lit up or not.

B. Not responding to the DMX controller

- ▶ Check whether the DMX connectors and the DMX cables are connected correctly.
- ▶ Check whether the DMX address is correctly set.
- ▶ If the intermittent DMX signal problem occurs, check whether the XLR socket and the signal cable are well connected.
- ▶ Try it with another DMX controller.
- ▶ Check whether the DMX cables run near or alongside to the high-voltage cables, which may damage or interfere with the signal circuit.

C. One of the channels is not working well

- ▶ The stepper motor might be damaged or the cable connected to the PCB might be broken.
- ▶ The motor's drive IC on the PCB might be out of condition.

10/ Fixture Cleaning

It is absolutely essential that the fixture is kept clean to ensure the maximum light-output and allow the fixture to function reliably throughout its life. The fixture must be cleaned regularly to avoid dust, dirt and smoke-fluid residues building up on or within the fixture. The cleaning frequency depends on the application environment. Clean the fixture immediately if the dust enters it to avoid damage to the optical lens due to excessive dust.

- ▶ A soft lint-free cloth moistened with any good glass cleaning fluid is recommended, under no circumstances should solvents be used.
- ▶ Always dry the parts carefully.
- ▶ Clean the external optical lens at least every 20 days and the internal optical lens every 30 days.

Declaration of Conformity

We declare that our products (lighting equipments) comply with the following specification and bears CE mark in accordance with the provision of the Electromagnetic Compatibility (EMC) Directive 2014/30/EU.

EN 55032: 2015+A11:2020; EN IEC 61000-3-2: 2019;
EN 61000-3-3: 2013+A1: 2019; EN 55035: 2017+A11: 2020.

&

Harmonized Standard

EN 60598-1: 2015+A1: 2018; EN 60598-2-17: 2018;
EN 62493: 2015.

Safety of household and similar electrical appliances
Part 1: General requirements and tests

Certifications

cETLus Approved (Control #5000057)



www.acmelighting.com