

DOTCHAIN 300™

BAR 300

FEATURES

- Individual LED pixel control, equally-spaced LEDs for joining multiple units
- Smooth dimming from 0-100%
- Outstanding strobe effect with variable speed



TECHNICAL SPECIFICATIONS

Specifications

- Light source: 10x 20W RGBW LED
- Beam angle: 2°

Control

- Control channels: 9/14/46
- Protocols: DMX512, RDM
- Upgrade the firmware via DMX link

PAN & TILT

- Tilt movement: 220°

Construction

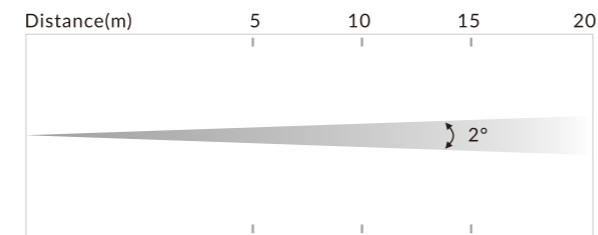
- Display: OLED display
- Data in/out: 3-pin or 5-pin XLR
- PPower in/out: Power Connector in/out

Electrical and Physical

- Input voltage range: 100-240V~ 50/60Hz
- Power consumption: 180 W
- Dimensions: 1000 x 117 x 233mm (39.4" x 4.6" x 9.2")
- Carton Specification: 1095 x 117 x 233mm (43.1" x 12.4" x 9.1")
- Weight: 11kg (24.3 lbs)
13kg (28.7lbs)(One-pack per carton)

PHOTOMETRICS DIAGRAM

(PHOTOMETRICS OF SINGLE LED)

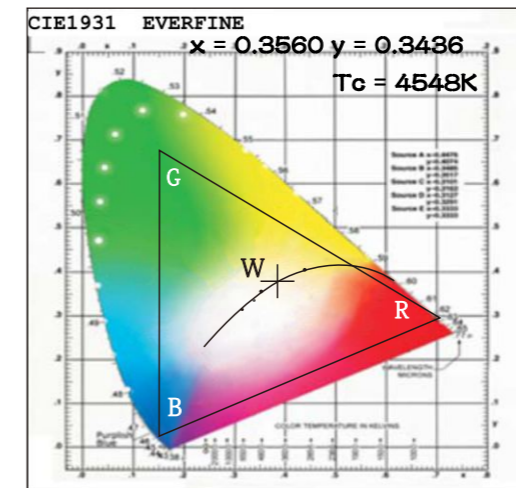


2° R Lux	4,770	1,130	524	298
2° G Lux	11,200	2,620	1,100	700
2° B Lux	1,800	355	146	113
2° W Lux	12,571	3,143	1,397	786
Diameter(m)	0.16	0.35	0.52	0.7

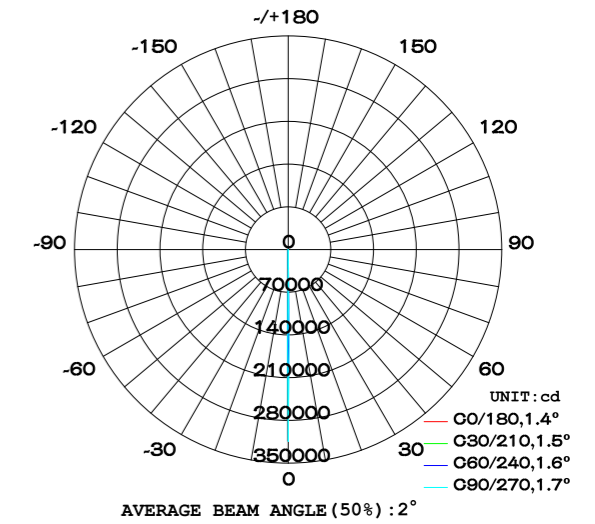


LIGHT QUALITY PARAMETER

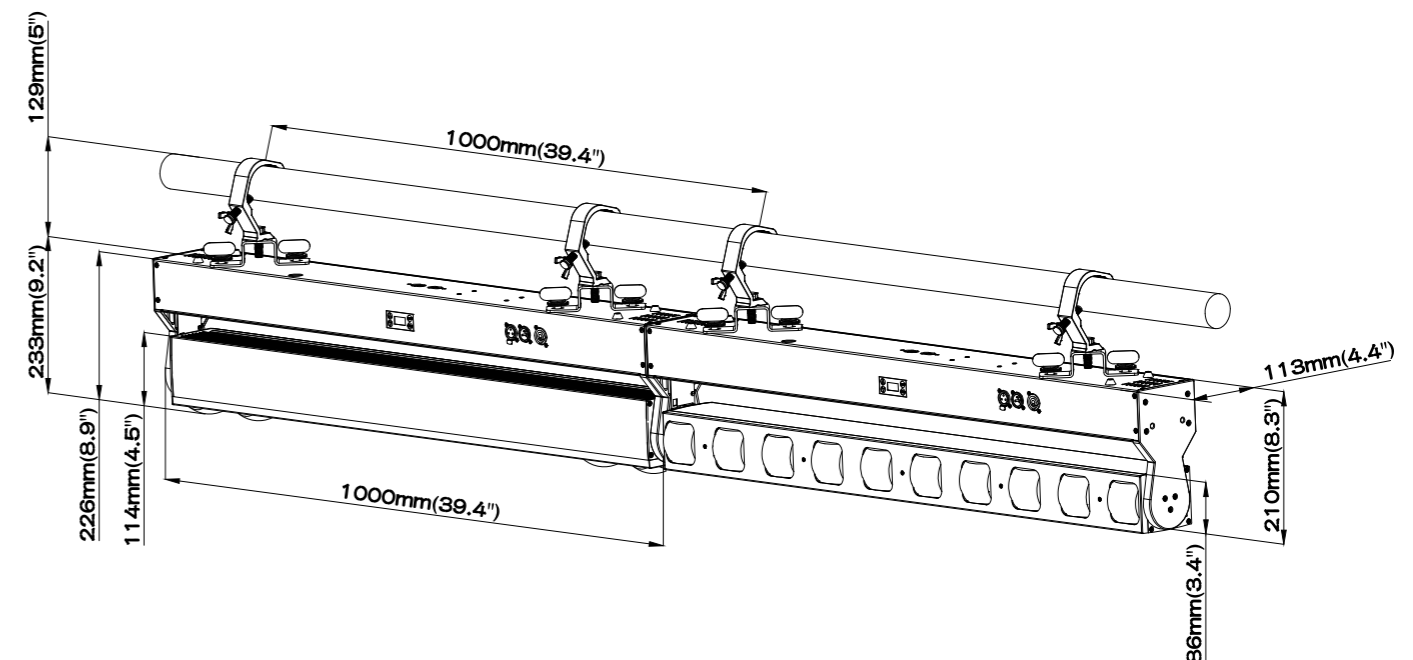
CIE1931 CHROMATICITY COORDINATES



LUMINOUS INTENSITY DISTRIBUTION DIAGRAM



DIMENSIONS



PROJECT INSTALLATION

PROJECT INSTALLATION