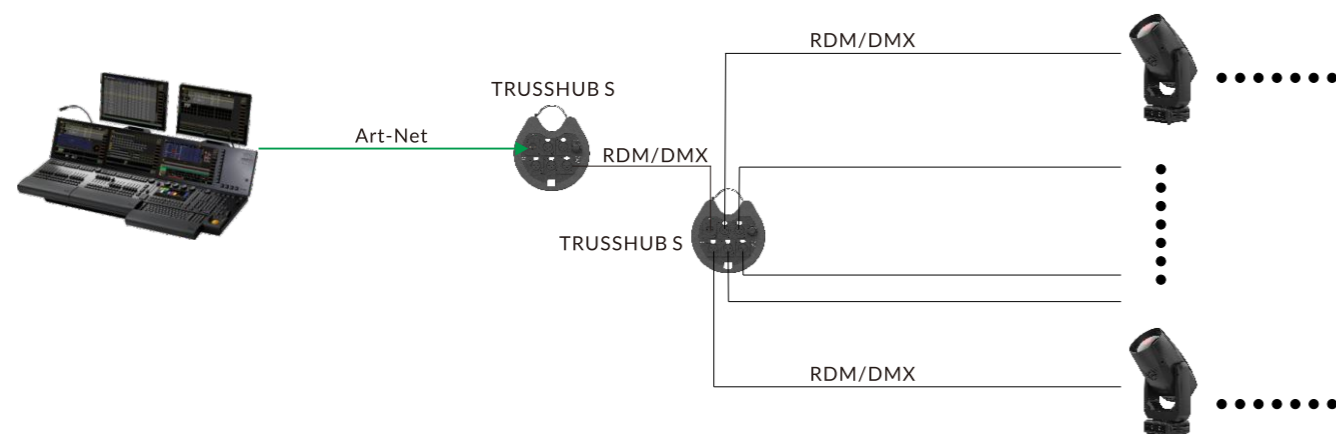


TRUSSHUB S

RS14T



SIGNAL CONNECTION DIAGRAM



FEATURES

- DMX/RDM Splitter
- 1 DMX input port, 1 DMX output port, 4 DMX/RDM splitter ports
- Shock-absorbing design with rubber edging on both sides
- Available for Ø40/50/60mm truss
- Includes 2 velcros to ensure the installation onto the truss securely
- All input/output ports are opto-isolated with each other and the max. voltage : 2,000V
- Protection Rating: IP66

CONSTRUCTION

- Data In/Out: 3-pin or 5-pin IP XLR
- Power In/Out: Direct Power cord out
- Protection Rating: IP66

ELECTRICAL AND PHYSICAL

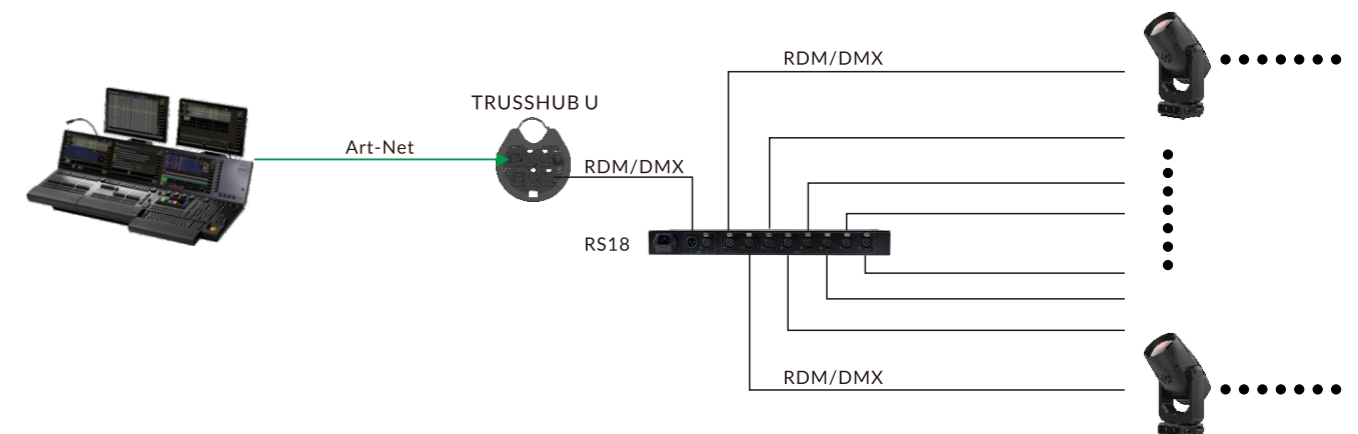
- Power Voltage: 100-240V~ 50/60Hz
- Power Consumption: 5W
- Dimension: 174x148x144mm (6.9"x5.8"x5.7")
- Carton Dimensions: 420x295x475mm (16.5"x11.6"x18.7")
- Weight: 2.0kg (4.4lbs)
- 9.4kg (20.7kg)(Four-pack per carton)

TRUSSHUB U

AN04T



SIGNAL CONNECTION DIAGRAM



FEATURES

- Art-Net to DMX/RDM converter
- Compatible with standard DMX/RDM and ArtNet/sACN protocol
- 1 RJ45 input port, 1 RJ45 output port
- 4 DMX/RDM output ports
- Available for Ø40/50/60mm truss
- Shock-absorbing design with rubber edging on both sides
- Includes 2 velcros to ensure the installation onto the truss securely
- All input/output ports are opto-isolated with each other and the max. voltage: 2,000V
- Protection Rating: IP66

CONSTRUCTION

- Display: OLED display
- Data In/Out: 3-pin or 5-pin IP XLR, RJ-45
- Power In/Out: Power cord out
- Protection Rating: IP66

ELECTRICAL AND PHYSICAL

- Power Voltage Range: 100-240V~ 50/60Hz
- Power Consumption: 5W
- Dimensions: 173 x 145 x 142mm (6.8" x 5.7" x 5.6")
- Carton Dimensions: 420 x 295 x 475mm (16.5" x 11.6" x 18.7")
- Weight: 2 kg (4.4 lbs)
- 10.2 kg (22.5 kg)(Four-pack in carton)