

SANDANE FROST

PAR 54 IP EF

FEATURES

- Light Source: 55 x 6W RGBL LED engine
- Total Lumen Output of Fixture: 10,000 lm
- Variable CTO ranging from 2,500K-8,000K
- Frost effect change from different angles
- Compact size, light weight, high light efficiency, low energy consumption
- IP66 rated, can be outdoor use all year round
- Variable light adjustment from 0 to 100%
- Outstanding strobe effect with variable speed
- Double bracket design, and multiple installation methods are available
- Optional half or full size anti-glare shield



TECHNICAL SPECIFICATIONS

Light Source

- Light Source: 55 x 6W RGBL LED engine
- Color Temperature Output of Fixture: 8,000K
- Total Lumen Output of Fixture: 10,000 lm
- Life Expectancy: 20,000hours*



Optical System

- Beam Angles: 18°, 36°, 53°
- Field Angles: 37°, 96°, 128°

Control and Program

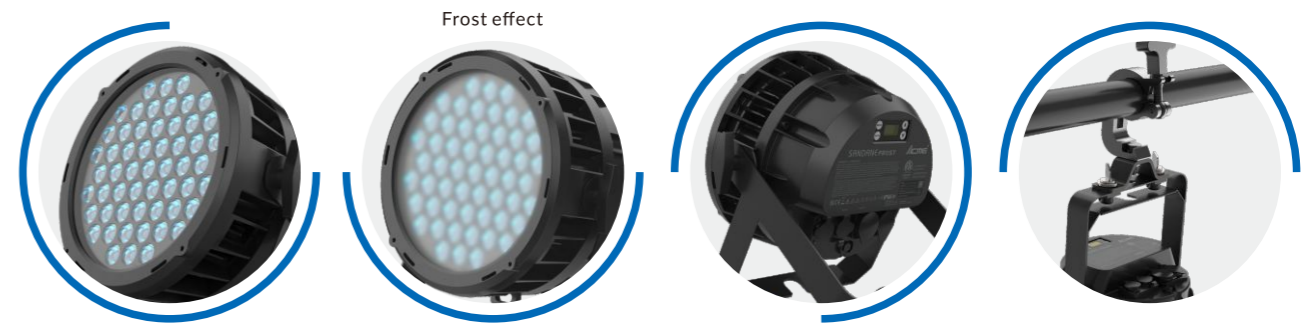
- 4-Button touch panel
- Display: OLED display
- Operational Modes: DMX control, show mode
- Protocols: DMX512, RDM
- DMX Protocol Modes: 5
- Control Channels: 11/9/8/7/6
- Firmware Upgrade: Upgrade via DMX link

Electrical and Connectors

- Input Voltage Range: 100-240V~ 50/60Hz
- Power Consumption: 215 W
- Power In/Out: Waterproof power connector in/out
- Data In/Out: 5-pin waterproof XLR

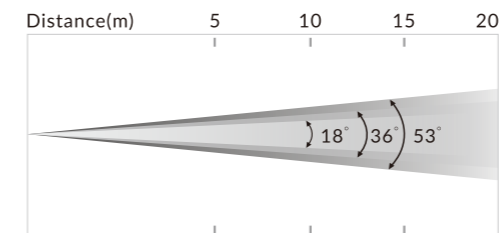
Specification

- Fixture Dimensions: 266 x 158 x 320 mm (10.5" x 6.2" x 12.6")
Weight: 5.0 kg (11.0 lbs.)
- Flight Case Dimensions: 1,220 x 610 x 630 (48.0" x 24.0" x 24.8")
Weight: 95.0 kg (209.4 lbs.) (eight-pack loader case)
- Carton Specification: 405 x 355 x 270 mm (15.9" x 14.0" x 10.6")
Weight: 6.5 kg (14.3 lbs.) (include carton, one per carton)



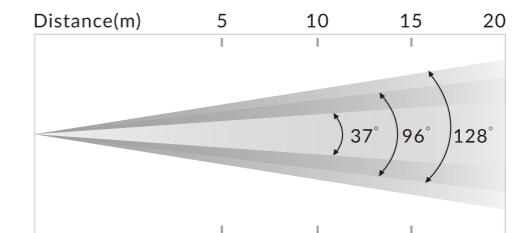
PHOTOMETRICS DIAGRAM

Beam Angle:



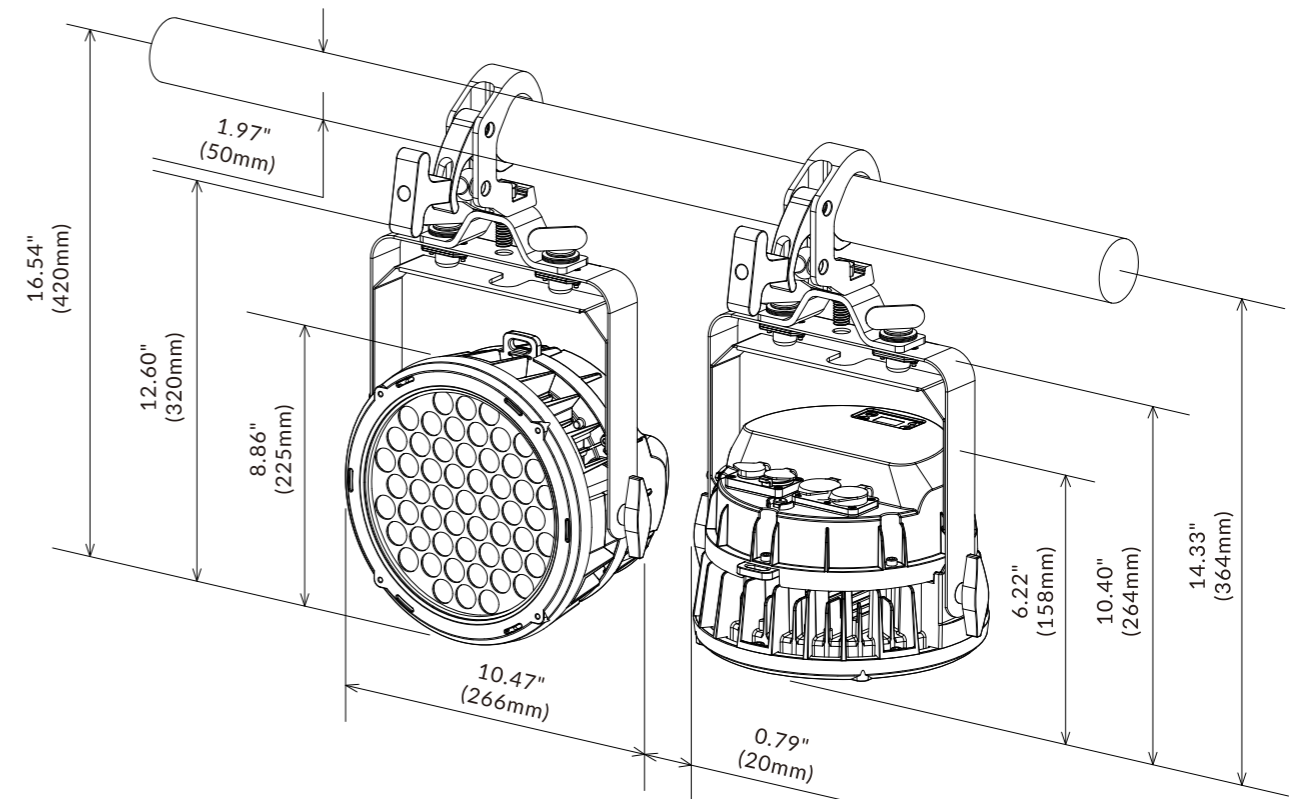
| | | | | |
|--------------|-------|------|-------|-------|
| 18° RGBL Lux | 1,514 | 379 | 168 | 95 |
| Diameter(m) | 1.62 | 3.24 | 4.86 | 6.48 |
| 36° RGBL Lux | 215 | 54 | 24 | 13 |
| Diameter(m) | 3.25 | 6.50 | 9.75 | 13.00 |
| 53° RGBL Lux | 125 | 31 | 19 | 8 |
| Diameter(m) | 4.96 | 9.92 | 14.98 | 19.84 |

Field Angle:



| | | | | |
|---------------|-------|-------|-------|-------|
| 37° RGBL Lux | 1,514 | 379 | 168 | 95 |
| Diameter(m) | 3.37 | 6.74 | 10.11 | 13.48 |
| 96° RGBL Lux | 215 | 54 | 24 | 13 |
| Diameter(m) | 11.08 | 22.16 | 33.24 | 44.32 |
| 128° RGBL Lux | 125 | 31 | 19 | 8 |
| Diameter(m) | 20.35 | 40.70 | 61.05 | 81.40 |

DIMENSIONS



(*Light source's working life depends on the cycle ratio of its usage pattern and other environmental factors, such as dust, oil, temperature, humidity, etc.)

