

COOLIE 186

BW 186

FEATURES

- Compact size, light weight, high light efficiency, low energy consumption
- Variable CTO: 2,500K-8,000K
- Intelligent light sense can automatically activate the light and set the light duration according to the environment
- 0-100% smooth dimming
- Outstanding strobe effect with variable speed
- IP66 protection rating
- Optional half or full size anti-glare shield



TECHNICAL SPECIFICATIONS

Specifications

- Light Source: 18 x 6W RGBW LED
- Beam Angle: 18°, 22°, 24°, 43°, 58° (Optional Lenses)
- Field Angle: 37°, 45°, 53°, 77°, 95°
- Life Expectancy: 30,000 hours*

Control

- Control channels: 10/8/5/4
- Protocols: DMX512, RDM, Primary/Secondary
- Firmware Upgrade via DMX link

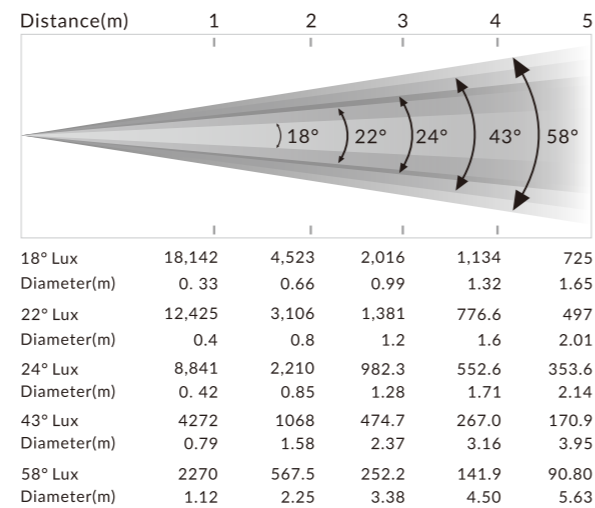
Construction

- Display: OLED display
- Data In/Out: bare wire output
- Power In/Out: bare wire output
- Hanger: Single hanger
- Protection Rating: IP66

Electrical and Physical

- Input voltage range: 100-240V~ 50/60Hz
- Power Consumption: 55 W
- Dimensions: 200x172x113mm (7.9"x6.8"x4.4")
- Carton Dimensions: 260x230x185mm (10.2"x9.0"x7.3")
- Weight: 2.2kg (4.9lbs)
2.3kg (5.1lbs)(One-pack per carton)

PHOTOMETRICS DIAGRAM



OPTIONAL SHIELD

1



2

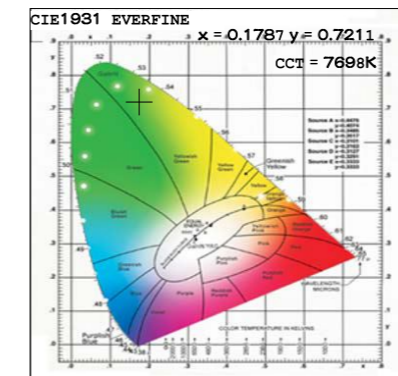


CONNECTION

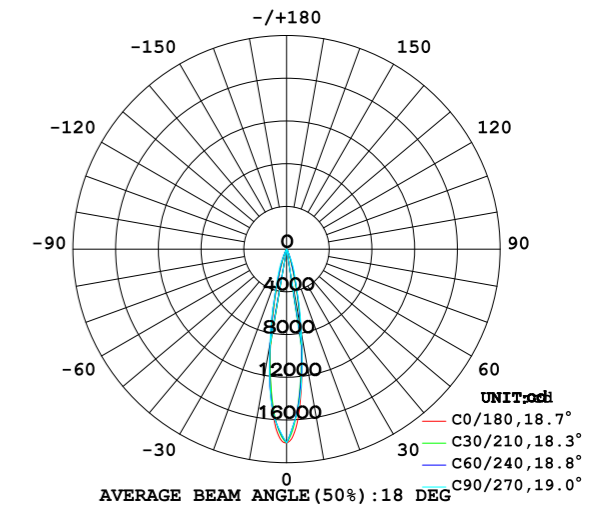


LIGHT QUALITY PARAMETER

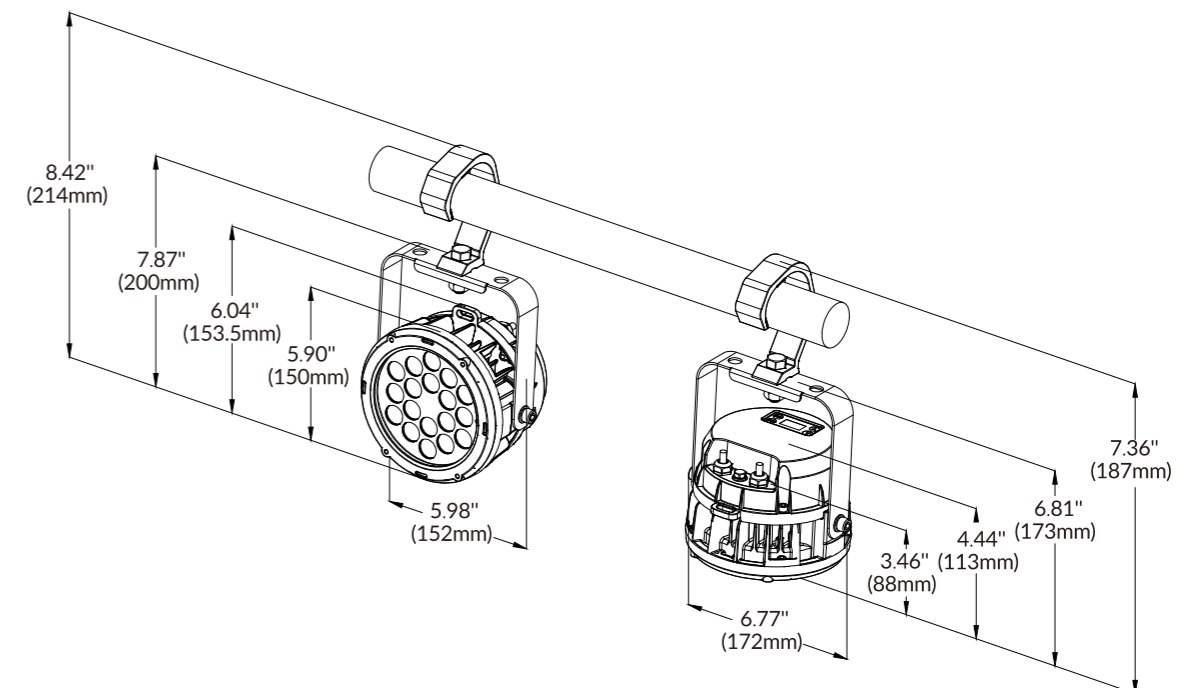
CIE1931 CHROMATICITY COORDINATES(Big Angle)



LUMINOUS INTENSITY DISTRIBUTION DIAGRAM



DIMENSIONS



(*Light source's working life depends on the cycle ratio of its usage pattern and other environmental factors, such as dust, oil, temperature, humidity, etc.)



PROJECT INSTALLATION

PROJECT INSTALLATION