

LYRA BW

XA 1000 BW IP

FEATURES

- Diameter of Front Lens: 180mm
- Standard Mode: Ra>70
- HCRI Mode: Ra>90
- HCRI Filter used to switch to HCRI mode
- Linear CMY color mixing
- Linear CTO color correction: 2,700K-6,700K
- 1 Color wheel: 5 colors, 1 HCRI filter, plus open, with bidirectional rainbow effects
- 1 Rotating gobo wheel: 6 High-precision gobos, plus open
- New material patented diffusion filter can achieve 0~100% linear softening effect and make the spot larger and more uniform.
- Framing: 4 fast and smooth framing shutters. Each shutter blade position and angle can be controlled individually, the framing module can be rotated at ±60°
- Variable light adjustment from 0-100% dimming
- Outstanding strobe effect with variable speed
- IP 66 rating



TECHNICAL SPECIFICATIONS

Light Source

- Light Source: 1000W LED Engine
- Color Temperature Output: 2,700K-6,700K
- Total Lumen Output: 56,000 lm
- Rated Source Life: up to 20,000 hours*

Optical System

- Beam angle: 4.5°-40°
- Field angle: 5°-60°
- Diameter of Front Lens: 180 mm

Control and Program

- 4-Button touch panel
- Display: LCD display
- Protocols: DMX512, RDM
- DMX Protocol modes: 2
- Control channels: 30/18
- Firmware Upgrade: Upgrade via DMX link

Movement

- Pan movement: 540°
- Tilt movement: 260°
- Automatic Pan/Tilt position correction
- Fixation: Pan/ Tilt lock
- Moving-head operated with either 16-bit resolution

Electrical and Connectors

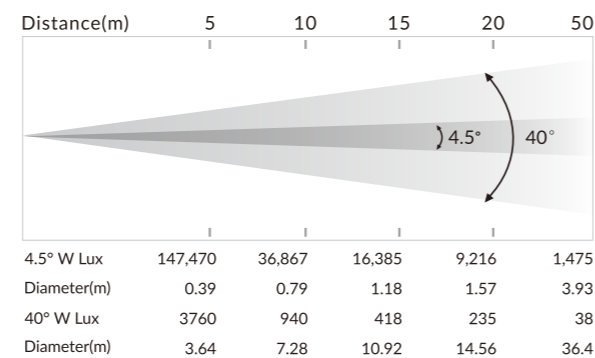
- Input voltage range: 100-240V~ 50/60Hz
- Power consumption: 1,455 W
- Power In/Out: Power Connector in/out
- Date In/Out: 3-pin or 5-pin XLR
- Protection rating: IP66

Specification

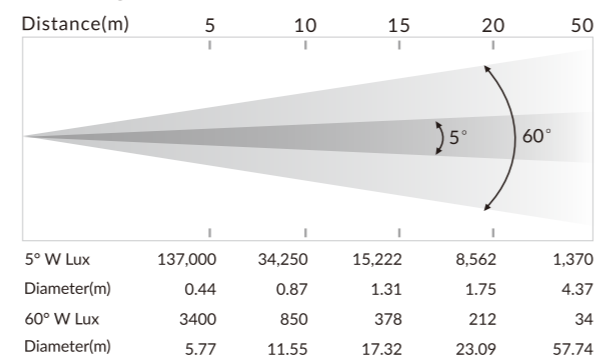
- Fixture Specification: 412 x 330 x 743 mm (16.2"x 13.0"x 29.3")
Weight: 42.5 kg (93.7 lbs)
- Flight Case Dimensions: 1,143 x 812 x 840 mm (45" x 32" x 33")
Weight: 182.2 kg (402 lbs) (Dual Loader Case)
- Carton Specification: 630 x 520 x 715 mm (24.8" x 20.5" x 28.1")
Weight: 48 kg (105.8 lbs) (include carton, one-pack per carton)

PHOTOMETRICS DIAGRAM

(Beam angle)



(Field angle)



FUNCTIONAL EFFECT

CMY+CTO



Color Wheel



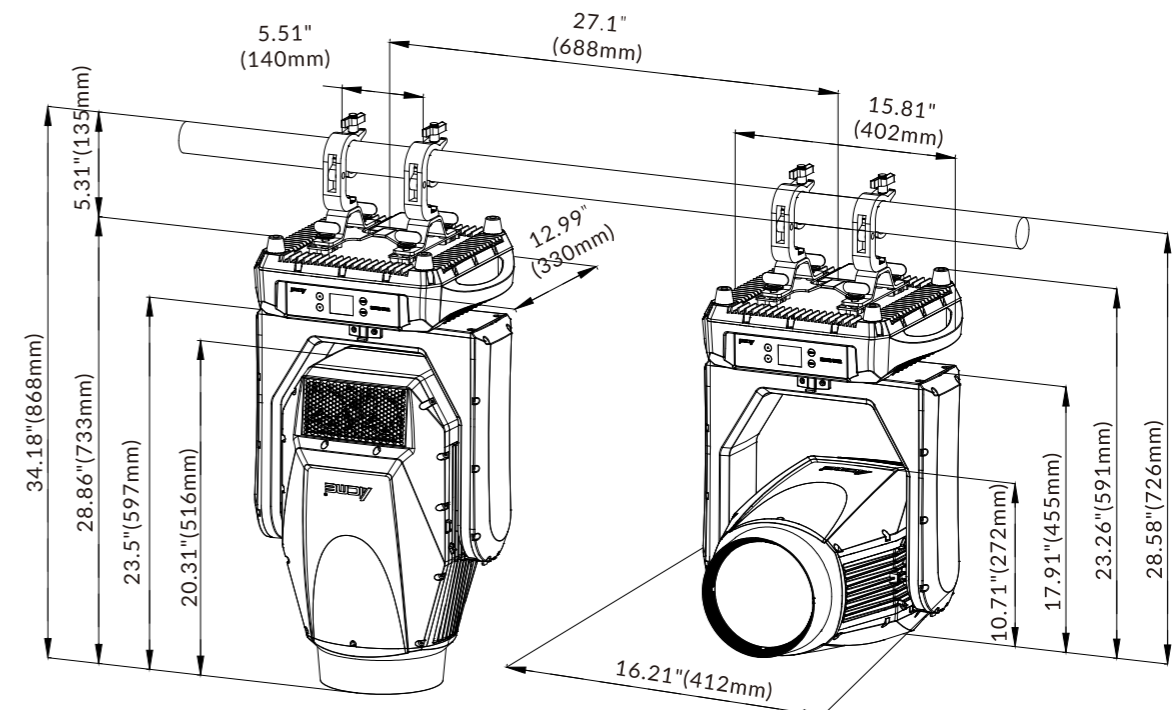
Rotating Gobo Wheel



Framing Module Frost Filter



DIMENSIONS



(*Light source's working life depends on the cycle ratio of its usage pattern and other environmental factors, such as dust, oil, temperature, humidity, etc.)