

CETUS

XP-380 BEAM IP

FEATURES

- Diameter of frontal lens: 152 mm
- Lamp life: 6,000 hours*
- Linear motorized Focus
- 1 x color wheel with 14 colors plus white, and rainbow effect
- 1 x rotating gobo wheel with 10 gobos plus open
- Outside diameter: 9.8mm
- Image diameter: 6.5mm
- 2 x prisms: 8-facet prism + 16-facet prism, rotatable in both directions and overlayable
- Smooth dimming from 0-100%
- Independent frost effect
- Outstanding strobe effect with variable speed
- IP65 protection rating, can be used outdoors all year round



TECHNICAL SPECIFICATIONS

Specifications

- Light Source: OSRAM SIRIUS HRI 370W LL
- Color Temperature: 7,800 K
- Beam Angel: 2.5°

Control

- DMX Channel: 16/18
- Protocols: DMX512, RDM, Wireless(optional)
- Firmware upgrade via DMX link

Pan/Tilt

- Pan/Tilt movement: 540°/ 270°
- Pan/Tilt Resolution: 16-bit

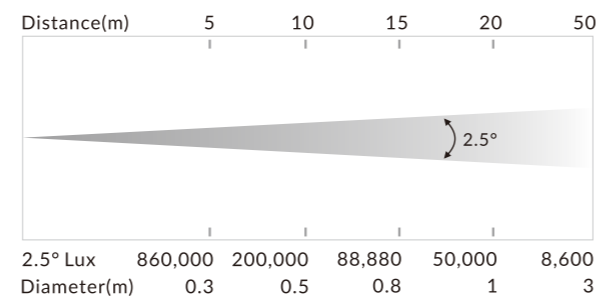
Construction

- Display: LCD display
- Data In/Out: 3-pin or 5-pin IP XLR
- Power In/Out: Waterproof Power Connector in/out
- Protection Rating: IP65

Electrical and Physical

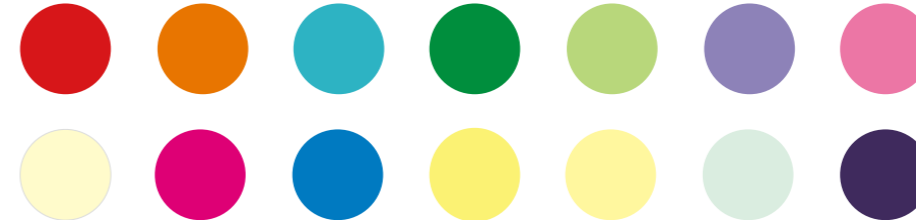
- Input Voltage Range: 100-240V~ 50/60Hz
- Power Consumption: 535W
- Dimensions: 402 x 330 x 628 mm (15.8" x 13.0" x 24.7")
- F/C Dimensions: 845 x 505 x 850 mm (33.3" x 19.9" x 33.5")
- Weight: 30 kg (66.1 lbs)
- 100 kg (220.5 lbs) (Dual Loader Case)

PHOTOMETRICS DIAGRAM



FUNCTIONAL EFFECT

Color Wheel



Rotating Gobo Wheel



8-Facet Prism



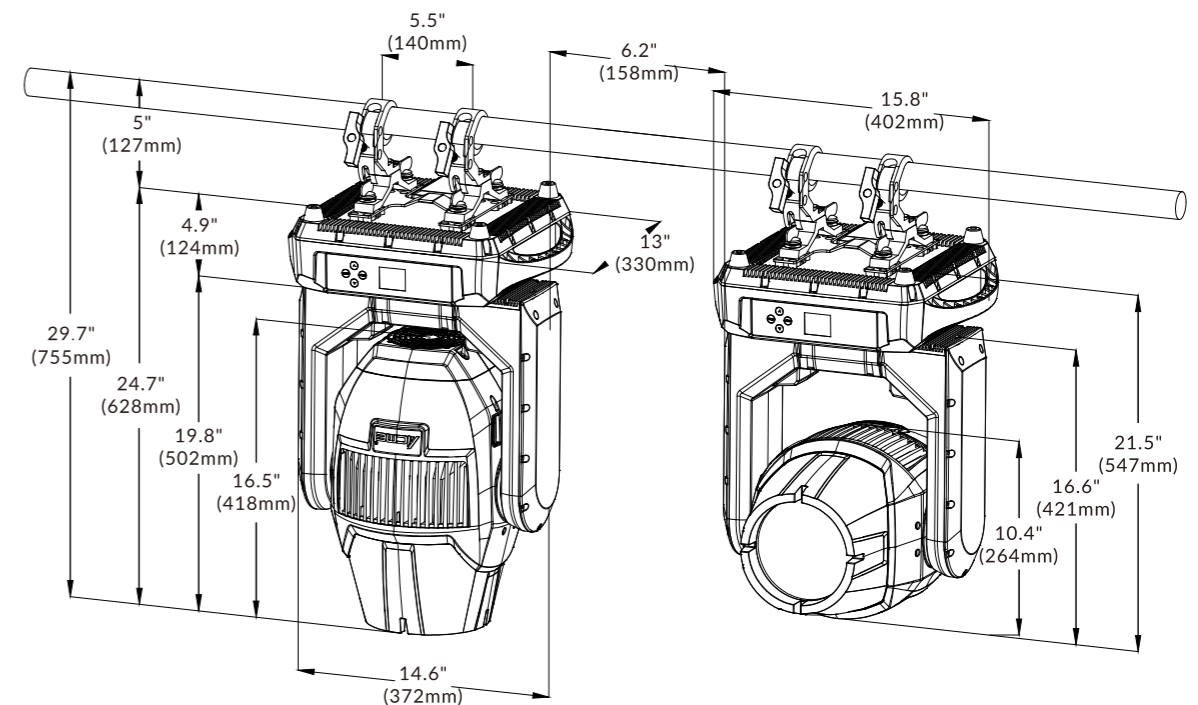
16-Facet Prism



Frost Filter



DIMENSIONS



(*Lamp's working life depends on the cycle ratio of its usage pattern and other environmental factors, such as dust, oil, temperature, humidity, etc.)



EXTERIOR / OUTDOOR

EXTERIOR / OUTDOOR