

LIGHTNING

STROBE 6 IP

FEATURES

- 30 Controllable sections of RGBW area
- 30 Shot out sections of Cold White Beams
- Applied the Smart Glass as frontal glass, providing changeable frosted/transparent effect
- Individual powerful beams output in a creative way
- Outstanding color mixing
- Dynamic strobing vivid effect
- Hiding twist-lock design for quickly accessories-free combining
- 0~100% Smooth Dimming
- Four preset dimming curves apply to different effect applications



TECHNICAL SPECIFICATIONS

Light Source

- Light Source: 240 x 12W RGBW LED
30 x 10W CW LED
- Color Temperature(CW): 6,300K
- LED life expectancy: 20,000hours*

Optical System

- Beam Angle:
RGBW: 102°
CW Beam: 3.5°

Control and Program

- Display: Color Display
- Protocols: DMX512,RDM,Art-Net,sACN
- DMX Protocol modes: 10
- Control channels: 10/17/24/21/26/36/41/61/150/158
- Firmware Upgrade: Upgrade via DMX link

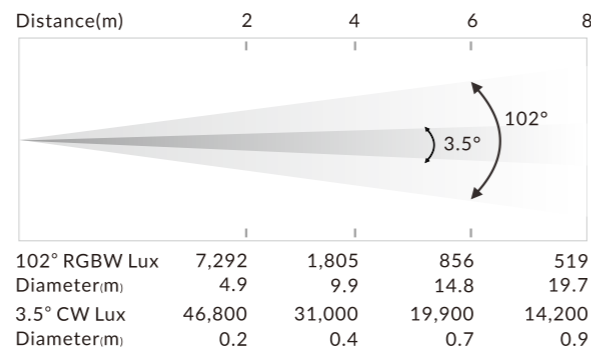
Electrical and Connectors

- Input Voltage Range: 100-240V~ 50/60Hz
- Power consumption: 1,610 W
- Power In/Out: Waterproof Power Connector In/Out
- Data in/out: 3-pin/5-pin Waterproof XLR Socket, RJ45
- Protection rating: IP66

Specification

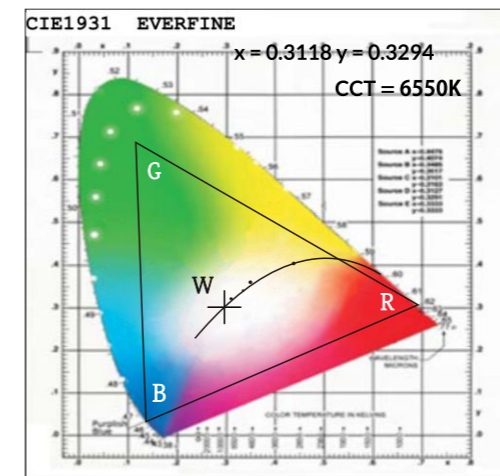
- Fixture Specification: 483 x 212x 224 mm(19"x8.4"x8.8")
Weight: 14kg (31 lbs)
- Flight case Dimensions: 1,220 x 610 x 655 mm (48"x24"x25.7")
Weight: 105kg(231lbs)(include flight case, quad loader case)
- Carton Dimensions: 590 x 320 x 390 mm (23"x13"x15")
Weight: 16.5kg(37 lbs)(include carton, one-pack per carton)

PHOTOMETRICS DIAGRAM

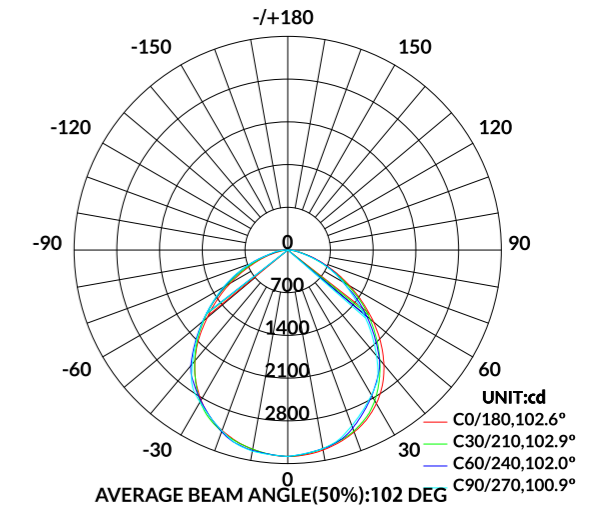


LIGHT QUALITY PARAMETER

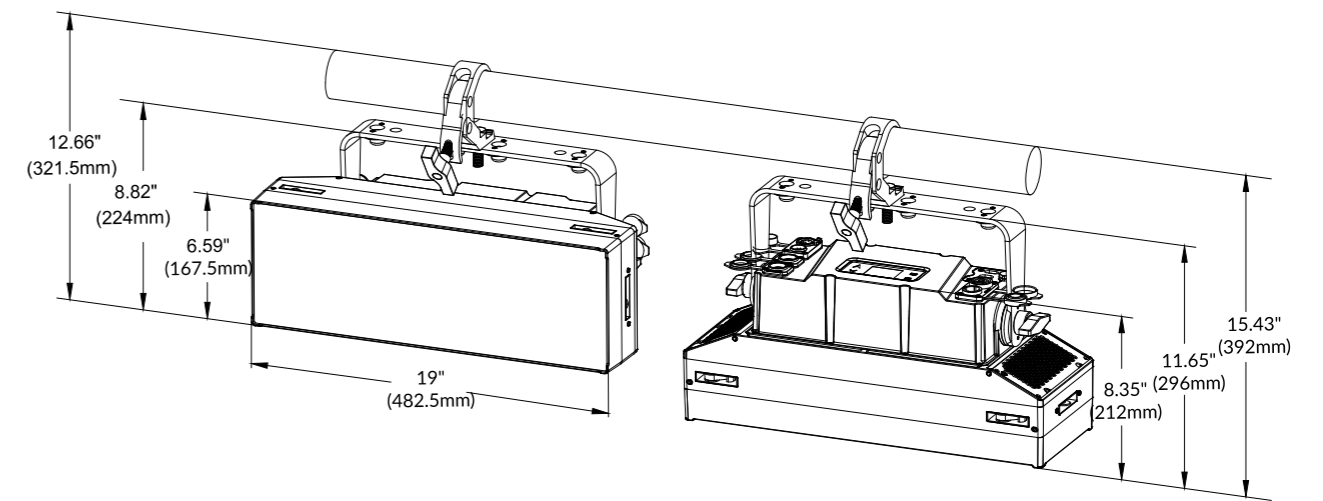
CIE1931 CHROMATICITY COORDINATES



LUMINOUS INTENSITY DISTRIBUTION DIAGRAM



DIMENSIONS



(*Light source's working life depends on the cycle ratio of its usage pattern and other environmental factors, such as dust, oil, temperature, humidity, etc.)

EXTERIOR / OUTDOOR

EXTERIOR / OUTDOOR