



Light Source  
**450W LED**

Diameter of Front Lens  
**120 mm**

Total Lumen Output of Fixture  
**13,000 lumens**

Zoom Range  
**6.5°-54°**



### Main Features

**Light Source: 450W LED**

Diameter of Front Lens: 120 mm

Zoom Range: 6.5°-54°

Total Lumen Output of Fixture: 13,000 lumens

Color Temperature of Fixture: 6,000K

**CRI: Ra≥95, R9≥90, R15≥95**

**TLCI≥95, CCI: 0-0.5G**

**TM-30 Rf: 91 TM-30 Rg: 99**

Motorized focus

Linear CMY color mixing

Linear CTO Color Correction: 2,700K-6,000K

**1 x 4-facet prism rotatable in either both direction**

1 combinable light frost filter and 1 combinable medium frost filter

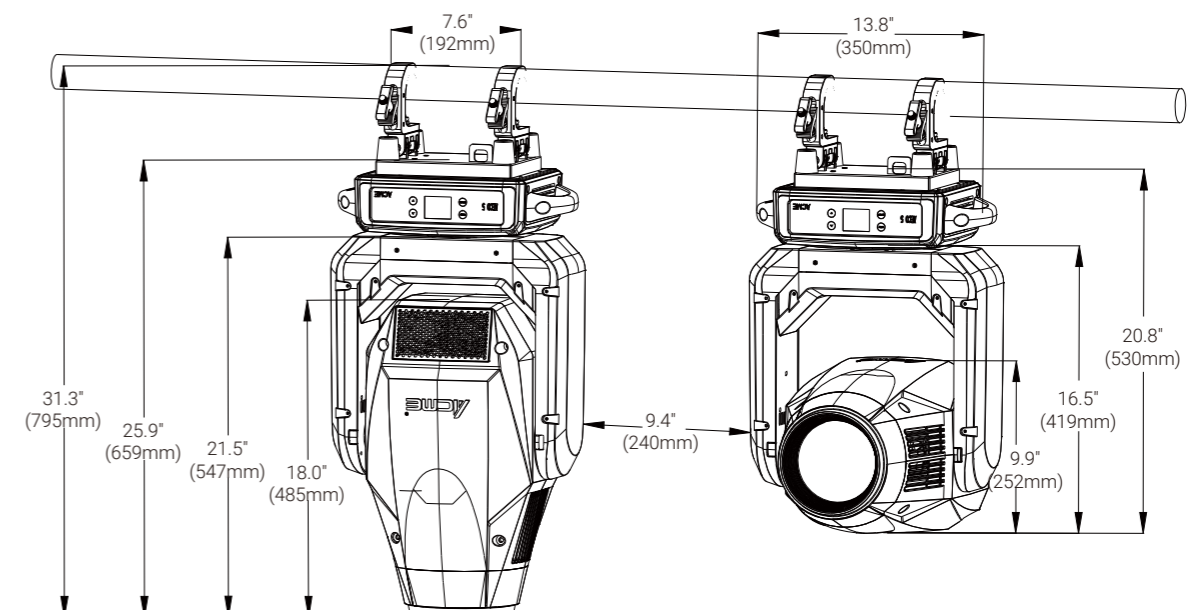
4 rotating full blackout framing shutter blades with individually controllable; Rotation of the framing system module: ±45°

**1 Static Gobo Wheel: 8 gobos, plus open**

1 Rotating Gobo Wheel: 7 gobos, plus open

1 Color Wheel: 6 colors, plus open

### Technical Specifications



### Light Source

- Light Source: 450W LED
- Color Temperature of Fixture: 6,000K
- Total Lumen Output of Fixture: 13,000 lumens
- LED life expectancy: 20,000 hours\* manufacturer specification

### Optical System

- Zoom Range: 6.5°-54°
- Diameter Of Front Lens: 120 mm
- CRI: Ra≥95, R9≥90, R15≥95
- TLCI≥95, CCI:0-0.5G TM-30 Rf: 91 TM-30 Rg: 99

### Prism / Frost Filter



### Colors

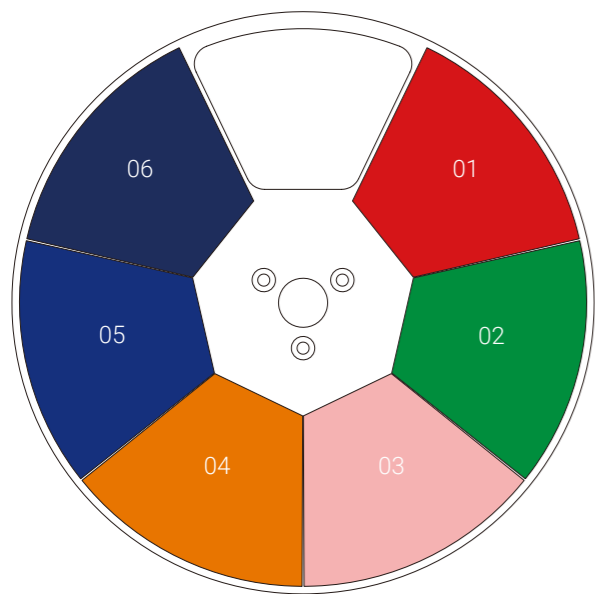
- Linear CMY color mixing



- Linear CTO Color Correction: 2,700K-6,000K



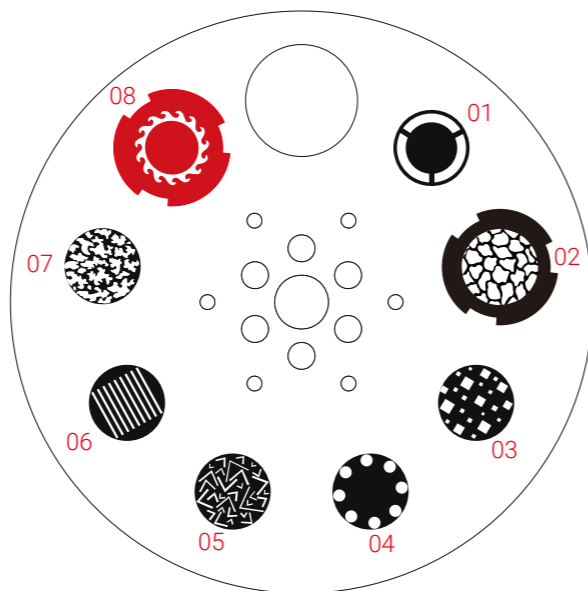
- 1 Color Wheel: 6 colors, plus open



Color Wheel

### Static Gobos

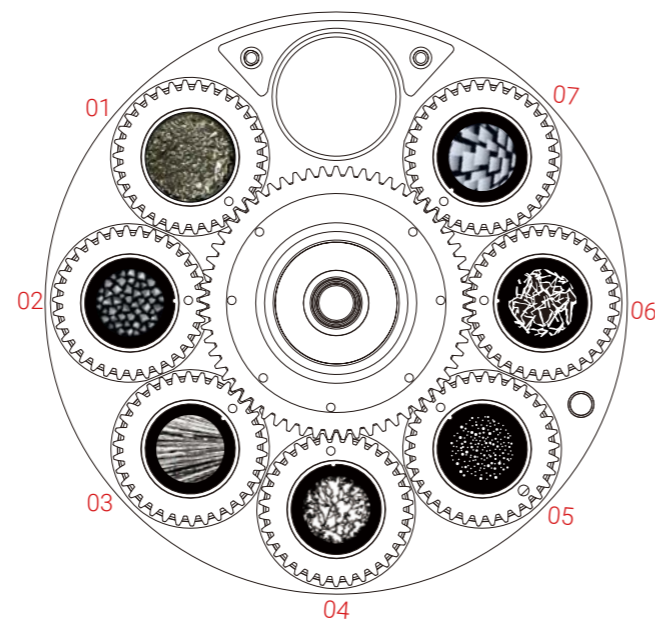
- 1 Static Gobo Wheel: 8 gobos, plus open



Static Gobo Wheel

### Rotating Gobos

- 1 Rotating Gobo Wheel: 7 gobos, plus open, convenient replacement
- Outside Diameter: 22.5 mm
- Image Diameter: 17 mm



Rotating Gobo Wheel

### Framing System

- Shutter Blades: 4 blades, each with separate movement and full blackout
- Rotation: ±60° of the complete framing system

### Other Effects

- Motorized linear Iris
- Smooth dimming 0-100%
- Outstanding strobe effect with various speeds



Framing Module

Linear Iris

### Pan & Tilt

- Pan Movement: 540°
- Tilt Movement: 270°
- Automatic Pan/Tilt position correction
- Pan/Tilt Resolution: Moving-head operated with 16 bit resolution
- Fixation: Pan/Tilt lock

### Control

- 4 touch button control panel
- Display: LCD display
- Protocols: DMX512, RDM, Art-Net, sACN
- DMX Protocol Modes: 3
- Control Channels: 24/28/33
- Firmware Upgrade: Upgrade via DMX link or USB disk

### Electrical and Connectors

- Input voltage range: 100-240Vac; 50/60 Hz
- Power Consumption: 670W
- Power In/Out: Power connector in/out (TRUE1 type)
- Data In/Out: 3-pin or 5-pin XLR, RJ45 connector

### Fixture Specification

- Fixture Dimensions: 252 x 364 x 692 mm (9.9" x 14.3" x 27.2")
- Weight: 26.5 kg (58.5 lbs)
- Flight Case Dimensions 1: 890 x 780 x 575 mm (35.0" x 30.7" x 22.6")
- Weight: 95.5 kg (210.5 lbs) (two-pack loader case)
- Flight Case Dimensions 2: 1,220 x 610 x 905 mm (48.0" x 24.0" x 35.6")
- Weight: 135.1kg (297.8 lbs) (two-pack loader case)

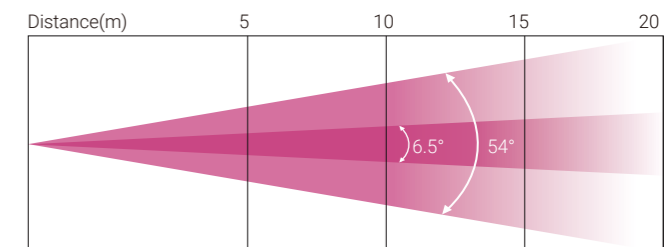
### Work Environment

- Maximum Ambient Temperature: 40°C
- Minimum Operating Temperature: 0°C
- Maximum Surface Temperature: 65°C
- Protection Rating: IP20

### Installation

- Horizontally or vertically mounting
- Universal working position
- 2 fixed foldable clamps for 50mm truss
- Safety cable attachment point

### Photometric (Images)



Distance(m)	5	10	15	20
6.5° Lux	29,200	7,300	3,244	1,825
Diameter(m)	0.57	1.13	1.7	2.2
54° Lux	1,100	275	122	69
Diameter(m)	5.1	10.1	15.1	20.2



Specifications subject to change without notice.