

KRAKEN

XL 300 BEAM IP



Light Source

1 x 260W Laser Module

Diameter of Front Lens

230 mm

Total Lumen Output of Fixture

12,000 lumens

Beam Angle

0.8°

Protection Rating

IP66

Acme

KRAKEN



Main Features

Light Source: 1 x 260W Laser Module

230 mm diameter front lens

Beam Angle: 0.8°

Total Lumen Output of Fixture: 12,000 lumens

Color Temperature Output of Fixture: 7,000K-9,000K

1 Color Wheel: 15 colors, plus open

1 Rotating Gobo Wheel: 11 gobos, plus open

Built-in color macro effects

2 Prisms: 1 x 8-facet prism, 1 x 24-facet linear prism,

rotatable in both directions and overlayable

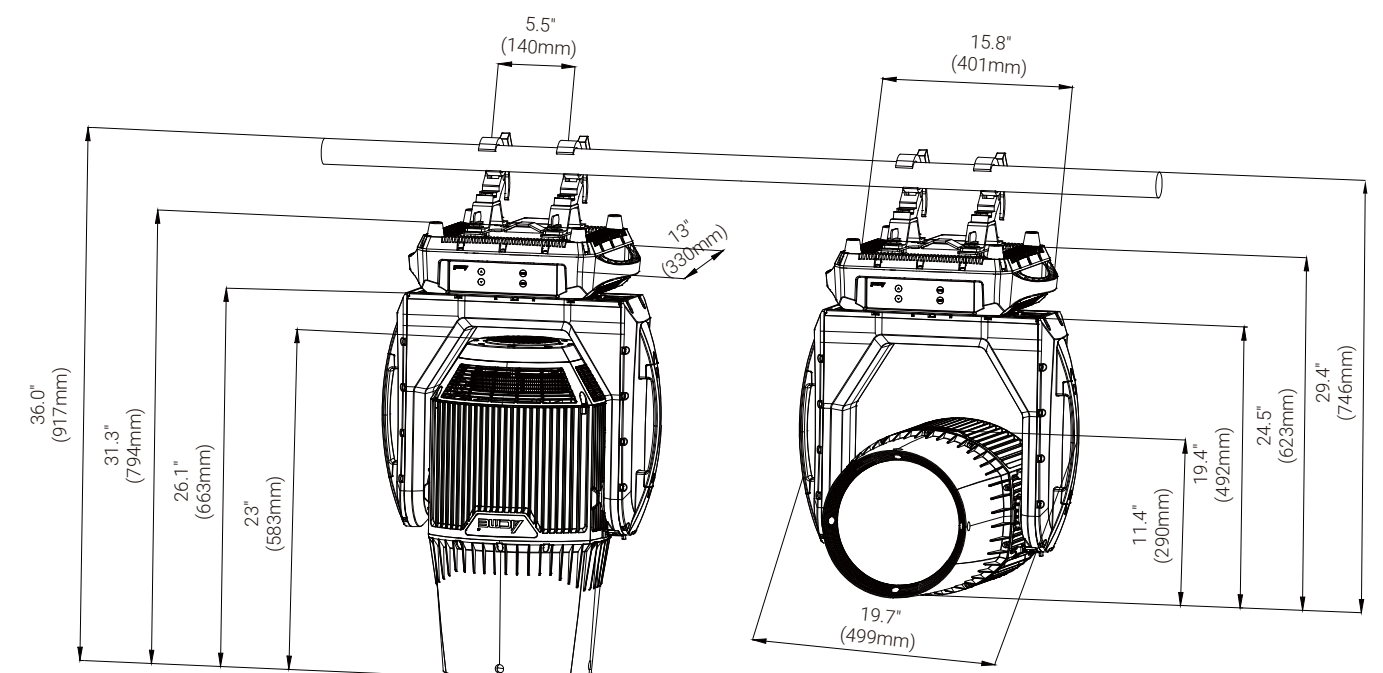
Outstanding strobe effect with variable speed

Smooth dimming 0-100%

Motorized linear focus

Flicker free management

Technical Specifications



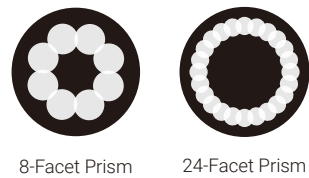
Light Source

- Light Source: 1 x 260W Laser Module
- Total Lumen Output of Fixture: 12,000 lumens
- Color Temperature Output of Fixture: 7,000K-9,000K
- Life Expectancy: 12,000 hours* manufacturer specification

Optical System

- Beam Angle: 0.8°
- Diameter of Front Lens: 230 mm

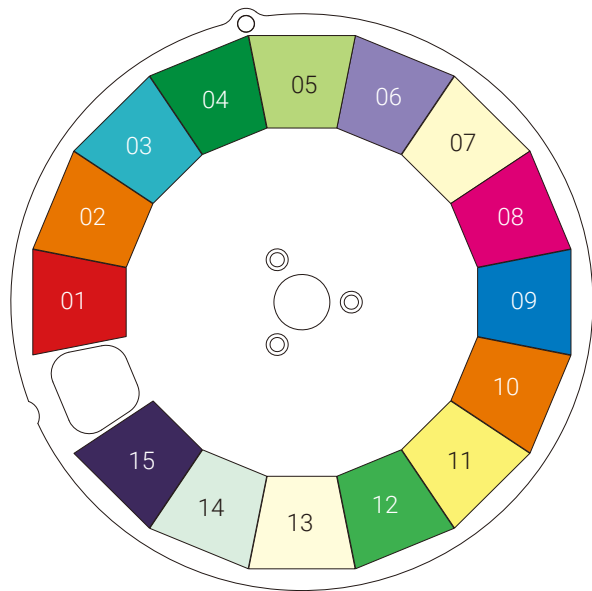
Prism / Frost Filter



8-Facet Prism 24-Facet Prism

Colors

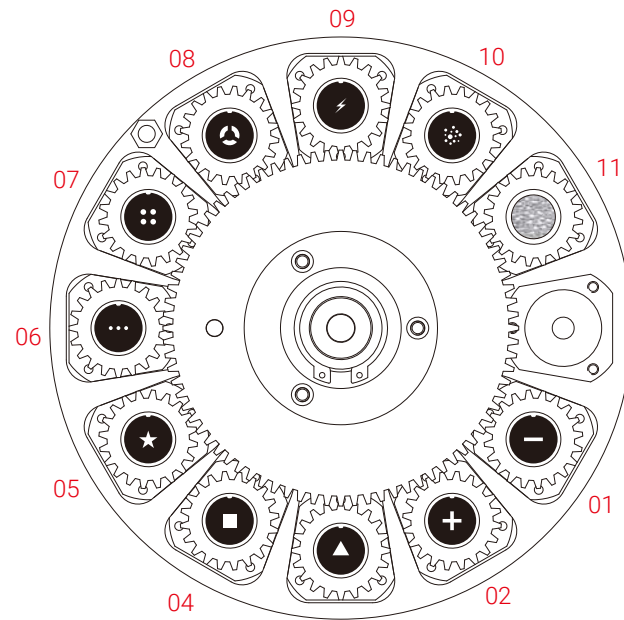
- 1 Color Wheel: 15 colors, plus open



Color Wheel

Rotating Gobos

- 1 Rotating & Interchangeable Gobo Wheel:
11 gobos, plus open
- Gobo Diameter: 9.8 mm
- Image Diameter: 4 mm



Rotating Gobo Wheel

Other Effects

- Smooth dimming 0-100%
- Linear motorized focus
- Outstanding strobe effect with variable speed
- Flicker free management

Pan & Tilt

- Pan Movement: 540°
- Tilt Movement: 270°
- Automatic Pan/Tilt position correction
- Moving-head operated with 16 bit resolution

Control

- 4 touch button control panel
- Display: LCD display
- Protocols: DMX512, RDM
- DMX Protocol Modes: 1

- Control channels: 18
- Firmware Upgrade: Upgrade via DMX link

Electrical and Connectors

- Input voltage range: 100-240Vac; 50/60Hz
- Power Consumption: 405W
- Power In/Out: Waterproof power connector in/out (TRUE1 type)
- Data In/Out: 3-pin or 5-pin waterproof XLR

Fixture Specification

- Fixture Dimensions:
499 x 330 x 794 mm (19.6" x 13" x 31.3")
- Weight: 45.0 kg (99.2lbs)
- Flight Case Dimensions:
715 x 595 x 905 mm (28.1" x 23.4" x 35.6")
- Weight: 90.5 kg (199.5 lbs) (one-pack loader case)

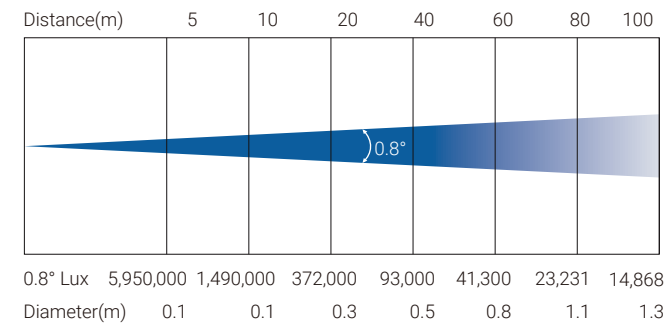
Work Environment

- Maximum Ambient Temperature: 40°C
- Minimum Operating Temperature: -10°C
- Maximum Surface Temperature: 65°C

Installation

- Horizontal or vertical mounting
- Universal working position
- 2 pairs of 1/4-turn locking points under the base
- 2 x 1/4-turn Fast-locked clamps
- Safety cable attachment point

Photometric (Images)



Specifications subject to change without notice.