

N⁵ Neozone

CM 800Z



Light Source
Osram 19 x 40W RGBW LED
Osram 19 x 40W RGBY LED (Optional)

Beam Angle
3.5° - 28.5°

Field Angle
5° - 50°



Main Features

Combining the powerful shape Beam and dynamic Wash

Light Source: Osram 19 x 40W RGBW LED
 Osram 19 x 40W RGBY LED (Optional)

Individual Pixel control
 Beam Angle: 3.5°-28.5°
 Field Angle: 5°-50°

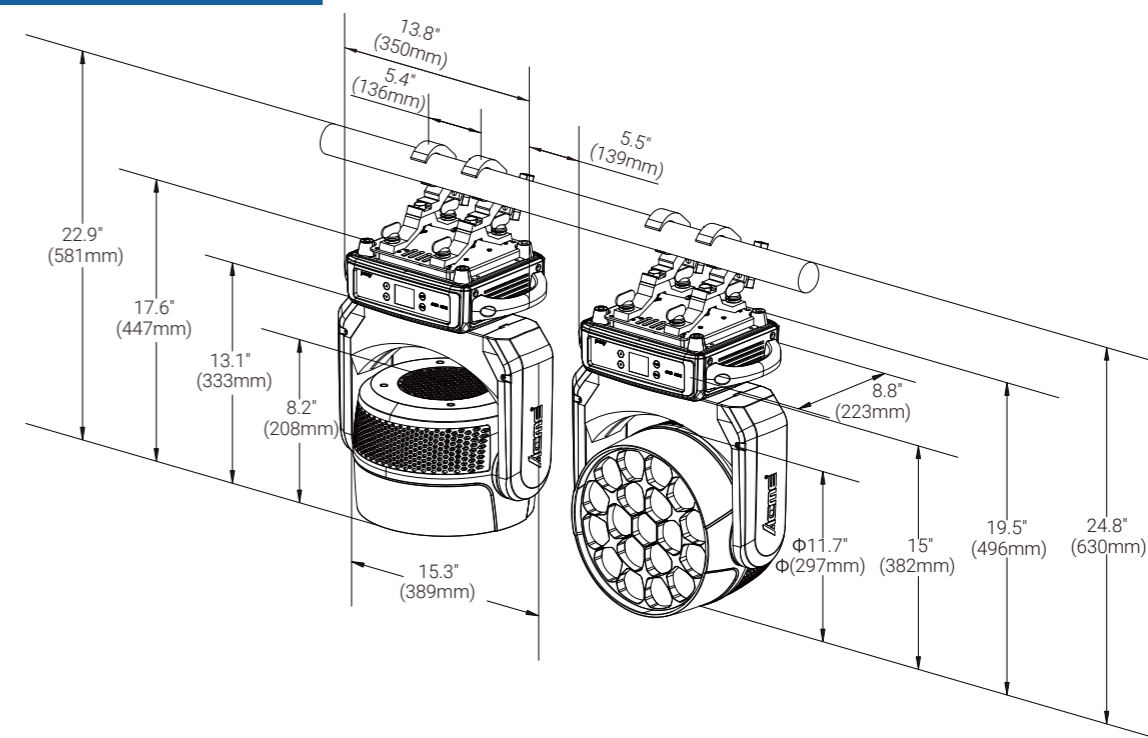
Fast and silent operation

Flicker free management for HD and UHD cameras
 Dust-proof and oil-proof housing design
 Protection Rating: IP20

Variable CTO: 2,500K-8,000K

Build-in color macro effect
 Motorized liner focus system
 Automated color correction system to ensure a consistent output
 CRI≥90 (RGBY)
 Outstanding strobe effect with variable speed
 Smooth dimming 0-100%

Technical Specifications



Light Source

- Light Source:
 - Osram 19 x 40W RGBW LED
 - Osram 19 x 40W RGBY LED (Optional)
- Life Expectancy: 30,000 hours* manufacturer specification

Optical system

- Advanced optical system to ensure clear and large-range beam & wash effect
- High-efficiency zoom optical system, ratio 1:8
- Beam Angle: 3.5°-28.5°
- Field Angle: 5°-50°
- CRI \geq 90 (RGBY)

Colors

- Linear CTO Color Correction: 2,500K-8,000K



Other Effects

- Build-in color macro effect
- Motorized liner focus system
- Automated color correction system to ensure a consistent output
- Fast moving in quiet
- Smooth dimming 0-100%

Pan & Tilt

- Pan/Tilt Resolution:
 - Moving-head operated with 16 bit resolution
- Pan Movement: 540°
- Tilt Movement: 220°
- Automatic Pan/Tilt position correction

Control

- 4 touch button control panel
- Display: LCD display
- Protocols: DMX512, RDM, Art-net, sACN
- DMX Protocol modes: 4
- Control channels: 17/21/86/10+
- Upgrade via DMX link or USB disk

Electrical and Connectors

- Power supply with electronic auto-ranging
- Input Voltage Range: 100-240Vac; 50/60Hz
- Power Consumption: 960W
- Power In/Out: Power connector in/out(TRUE1 type)
- Data In/Out: 3-pin or 5-pin XLR, RJ45

Physical Information

- Fixture Dimensions:
 - 390 x 223 x 496 (15.3" x 8.8" x 19.5")
- Weight: 21.3 kg (47.0 lbs)

Packing Information

- Flight Case Dimensions:
 - 915 x 470 x 765 mm (36.0" x 18.5" x 30.1")
- Weight: 84.6 kg (186.5 lbs) (two-pack loader case)

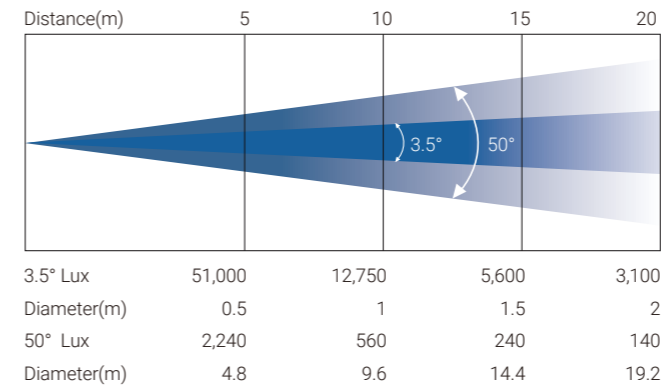
Work Environment

- Maximum Ambient Temperature: 40°C
- Minimum Operating Temperature: 0°C
- Maximum Surface Temperature: 75°C
- Protection Rating: IP20

Installation

- Horizontally or vertically mounting
- Multi projection angle operation
- 2 omega brackets (optional with 2 foldable fixed clamps)
- Safety cable attachment point

Photometric (Images)



Specifications subject to change without notice.