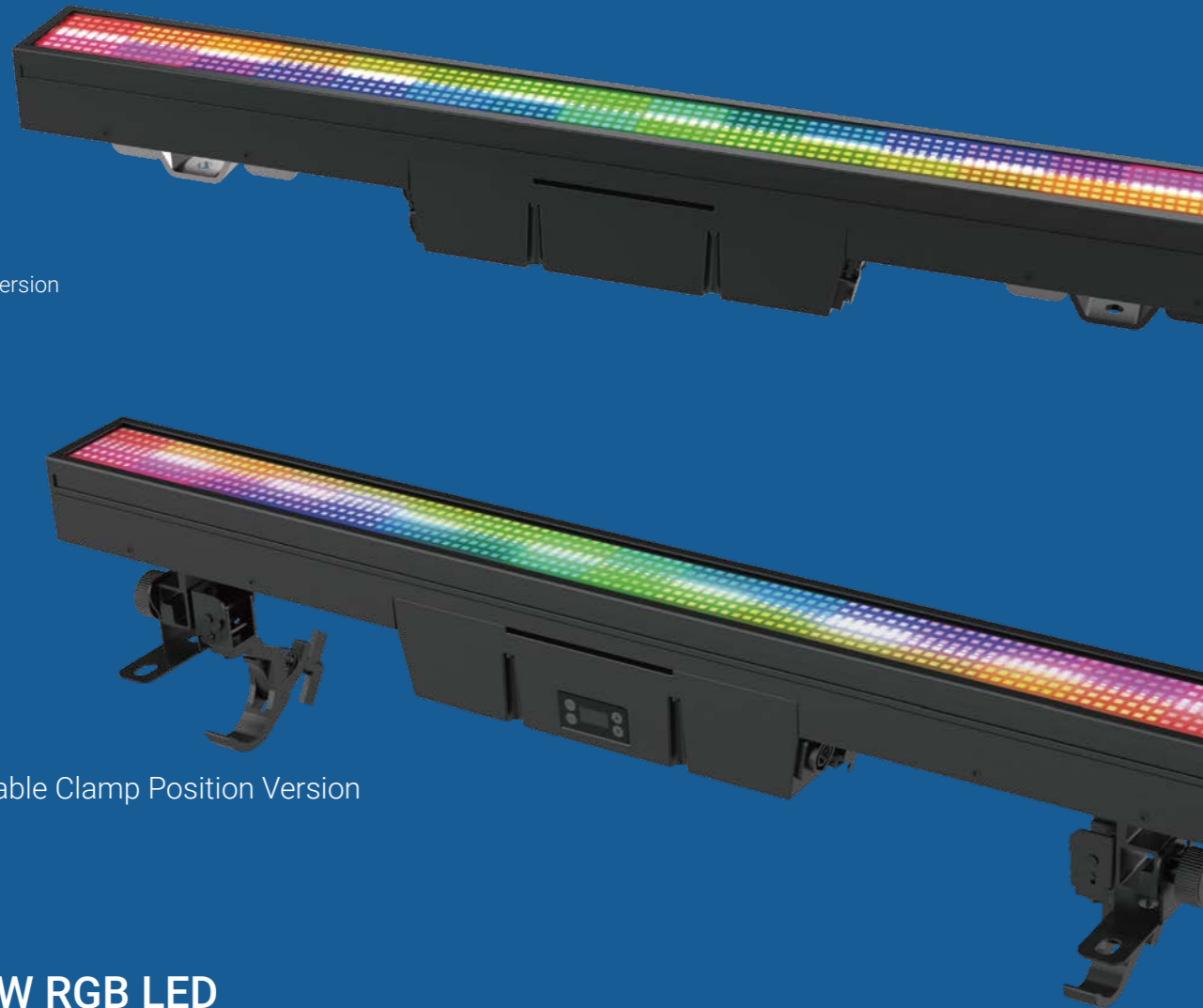


# PIXEL LINE IP

## STROBE 3 IP



Omega Brackets Version

Sliding Adjustable Clamp Position Version

### Light Source

**672 x 0.5W RGB LED**  
**112 x 3W CW LED**

### Beam Angle

**RGB Beam Angle: 101°**

**CW Beam Angle: 108°**

### Field Angle

**RGB Field Angle: 149°**

**CW Field Angle: 152°**

### Protection Rating

**IP66**



Color Mapping



Full Open Transparent



Linear Strobe



Full Open by Frosted

### Main Features

#### Light Source:

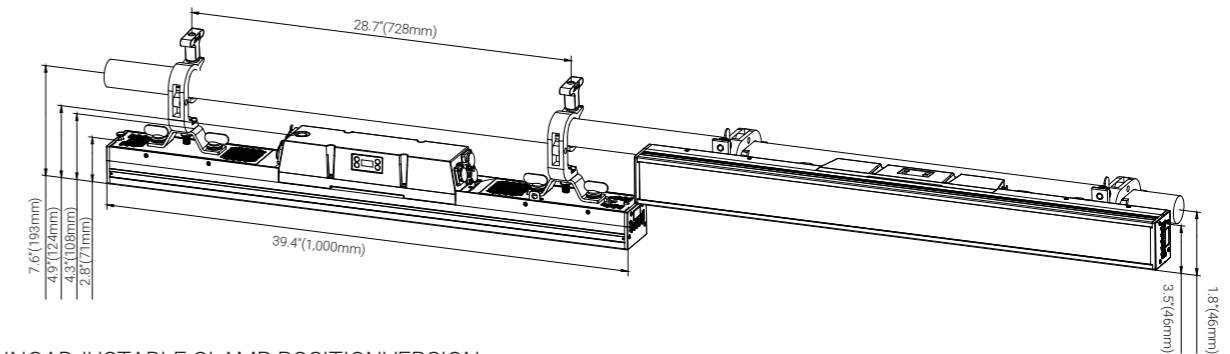
- 672pcs 0.5W RGB LED  
(can be divided into 32 controllable sections)
- 112pcs 3W CW LED  
(can be divided into 16 controllable sections)

#### Smart Glass technology for DMX controllable frost effects

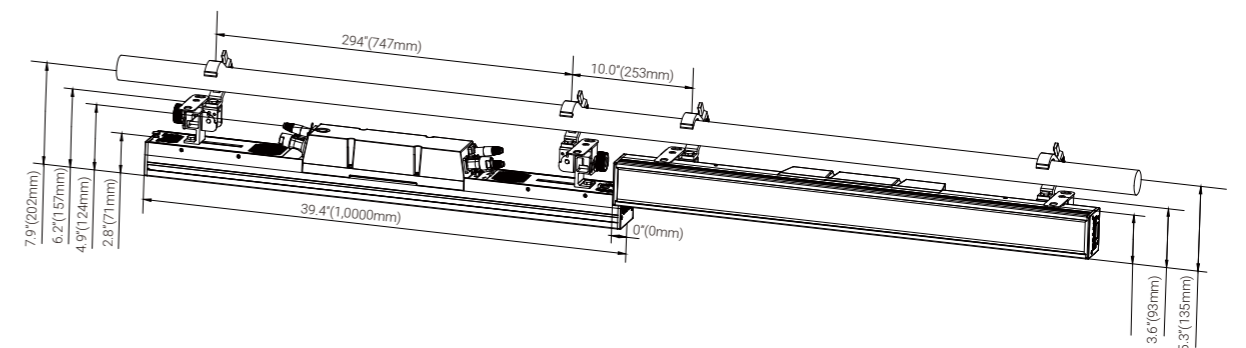
- Outstanding color effects
- High output strobe effects
- Multiple units can be connected tool free
- Four dimming curves

### Technical Specifications

#### 1. OMEGA BRACKETS VERSION



#### 2. SLIDING ADJUSTABLE CLAMP POSITION VERSION



**Version**

- Vesion1: STROBE 3 IP (Omega Bracket Mounting)
- Vesion 2: STROBE 3 IPS (Sliding Adjustable Clamp)
- Note: Different vesions cannot be connected together

**Light Source**

- Light Source:
- 672 x 0.5W RGB LED
- 112 x 3W CW LED

**Optical System**

- Beam Angle:
- RGB Beam Angle: 101°
- CW Beam Angle: 108°
- Field Angle:
- RGB Field Angle: 149°
- CW Field Angle: 152°
- Advanced optical design to ensure LED chips tightly arranged
- Smart Glass technology for DMX controllable frost effects

**Other Effects**

- Outstanding color mixing effect
- High output strobe effect
- Four dimming curves

**Control**

- 4 touch button control panel
- Display: OLED display
- Protocols: DMX512, RDM, Art-Net, sACN
- DMX Protocol Modes: 11
- Control Channels: 7/15/17/21/33/39/65/68/70/112/117
- Firmware Upgrade: Upgrade via DMX link

**Electrical and Connectors**

- Input Voltage Range: 100-240Vac; 50/60Hz
- Power Consumption: 420W
- Power In/Out: Waterproof connections (TRUE1 type)
- Data In/Out: 3-pin or 5-pin waterproof XLR, RJ45 connector

**Physical Information**

- Fixture Dimensions:
- 1,000 x 124 x 90 mm (39.4" x 4.9" x 3.5")
- Weight: 8.5 kg (19.0 lbs)

**Packing Information**

- Flight Case Dimensions:
- 1,209 x 665 x 695 mm (47.5" x 26.0" x 27.0")
- Weight: 139.5 kg (308.0 lbs) (Eight-pack loader case)
- Carton Dimensions:
- 1,085 x 195 x 320 mm (42.7" x 7.7" x 12.6")
- Weight: 10.5 kg (23.0 lbs) (one-pack loader carton)

**Work Environment**

- Maximum Ambient Temperature: 40°C
- Minimum Operating Temperature: -10°C
- Maximum Surface Temperature: 65°C
- Protection Rating: IP66

**Installation**

- Horizontal or vertical mounting
- Universal working position
- 2, omega brackets (optional with 2 foldable fixed clamps)
- Safety cable attachment point

**Included Items**

- Digital User Manual
- Power Cable (with TRUE1 type connector)
- 2 omega brackets (optional with 2 foldable fixed clamps)

**Optional Accessories (with item code)**

- Flight Case:
- 3205096010 (Ten-hole case)
- 3205096009 (Eight-hole case)
- Signal Line: 3-pin waterproof signal line (3017013468) or 5-pin waterproof signal line (3017013473)
- Safety Cable: 2060000200 (SW-02)
- Customized Foldable Clamps & Floor Stand w/ Omega Bracket (63582498)
- Customized Floor Stand w/ Omega Bracket (63582956)
- Customized Floor Stand w/o Omega Bracket (63582554)

1.Omega Brackets Version



Customized Floor Stand w/o Omega Bracket (63582554)



Customized Floor Stand w/ Omega Bracket (63582956)



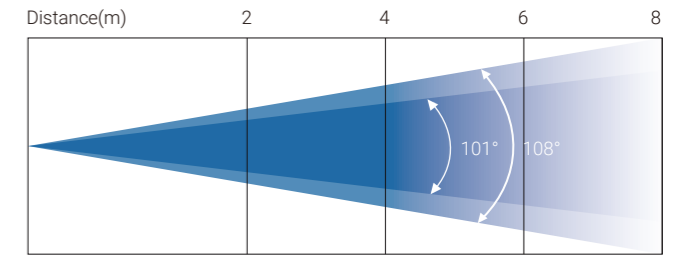
Customized Foldable Clamps & Floor Stand w Omega Bracket (63582498)

2.Sliding Adjustable Clamp Position Version



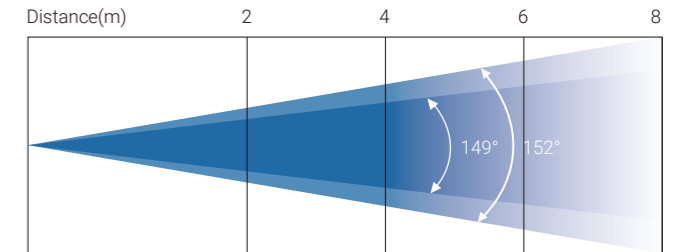
**Photometric (Images)**

Beam Angle:



	2	4	6	8
101° RGB Lux	1,163	291	129	73
Diameter(m)	12.7	25.3	38	51
108° CW Lux	2,919	730	324	182
Diameter(m)	5.7	11	38	21.7

Field Angle:



	2	4	6	8
149° RGB Lux	1,163	291	129	73
Diameter(m)	14.2	28.4	42.6	56.8
152° CW Lux	2,919	730	324	182
Diameter(m)	16.4	32.8	49	61



Specifications subject to change without notice.