

# STORM

MB 1000



Light Source

Main Light: **10 x 100W LED RAA4WW)**

Inside Ring: **10 x 12 x 1.5W LED (RGB)**

Outside Ring: **10 x 24 x 0.5W LED (RGB)**

Angle

Beam Angle: **4°**

Field Angle: **6°**

Total Lumen Output of Fixture

**30,000 lumens**

Acme

STORM



## Main Features

Multi-point surface light and multi-point back light with pixel control and rainbow effect

Light Source:

Main Light: 10 x 100W LED (RAA4WW)

Inside Ring: 10 x 12 x 1.5W LED (RGB)

Outside Ring: 10 x 24 x 0.5W LED (RGB)

Multi-point surface light and multi-point back light with pixel control and rainbow effect

Fixed beam angle at a tight 4° with sharp effect

High output, low energy consumption, good heat dissipation, long life

Outstanding strobe effect with variable speed

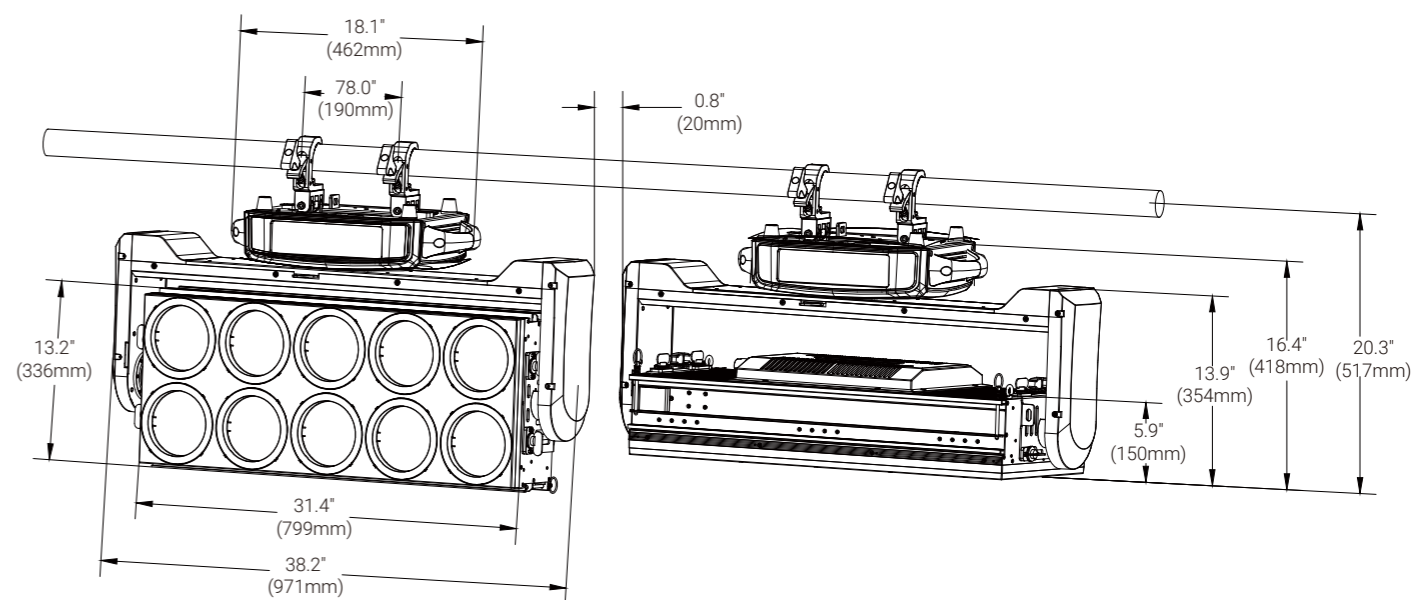
Smooth dimming 0-100%

Optional frost filters

2 Fixed foldable clamps for 50mm truss

Reserved 2 M12 locking points of removable clamp for 70mm truss

## Technical Specifications



## Light Source

- Light Source:
- Main Light: 10 x 100W LED (RAA4WW)
- Inside Ring: 10 x 12 x 1.5W LED (RGB)
- Outside Ring: 10 x 24 x 0.5W LED (RGB)
- Total Lumen Output of Fixture: 30,000 lumens
- Life Expectancy: 20,000 hours\* manufacturer specification

## Optical System

- Beam Angle: 4°
- Field Angle: 6°

## Frost Filter



Frost Filter

## Other Effects

- Outstanding strobe effect with variable speed
- Smooth dimming 0-100%

## Pan & Tilt

- Pan Movement: 540°
- Tilt Movement: 244°
- Automatic Pan/Tilt position correction
- Moving-head operated with 16 bit resolution
- Fixation: Pan/Tilt lock

## Control

- 4 touch button control panel
- Display: LCD display
- Protocols: DMX512, RDM, Art-Net, sACN
- DMX Protocol Modes: 4
- Control Channels: 16/37/88/100
- Firmware Upgrade: Upgrade via DMX link

## Electrical and Connectors

- Input Voltage Range: 100-240Vac; 50/60Hz
- Power Consumption: 1,025W
- Power In/Out: Power connector in/out (TRUE1 type)
- Data In/Out: 5-pin XLR, RJ45 connector

## Physical Information

- Fixture Dimensions:
  - version without fixed clamps: 972 x 352 x 523 mm(38.3" x 13.9" x 20.6")
  - version with fixed clamps: 972 x 352 x 527 mm(38.3" x 13.9" x 20.6")
- Weight: 42 kg (92.5 lbs)

## Packing Information

- Flight Case Dimensions: 1,220 x 810 x 760 mm (48.0" x 31.9" x 29.9")
- Weight: 162 kg (357.1 lbs) (two-pack loader case)
- Carton Dimensions: 1,070 x 450 x 585 mm (42.1" x 17.7" x 23.0")
- Weight: 49.5 kg (109.1 lbs) (one-pack loader carton)

## Work Environment

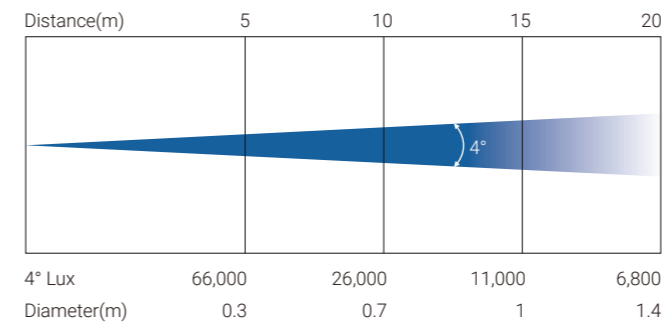
- Maximum Ambient Temperature: 40°C
- Minimum Operating Temperature: 0°C
- Maximum Surface Temperature: 65°C
- Protection Rating: IP20

## Installation

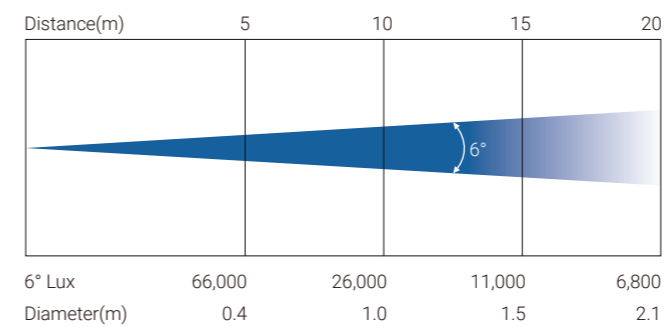
- Horizontal or vertical mounting
- Universal working position
- 2 omega brackets (optional with 2 fixed foldable clamps)
- Safety cable attachment point

## Photometric (Images)

Beam Angle (10 x 100W):



Field Angle (10 x 100W):



Specifications subject to change without notice.