

LYRA BW

XA 1000 BW IP



Light Source

1,000W LED

Diameter of Front Lens

180 mm

Total Lumen Output of Fixture

56,000 lumens

Beam Angle

4.5°-40°

Field Angle

5°-60°

Protection Rating

IP66

Acme

LYRA BW



Main Features

LED engine comprised of 1,000W LEDs

Diameter of Front Lens: 180 mm

Beam Angle: 4.5°-40°

Field Angle: 5°-60°

Total Lumen Output of Fixture: 56,000 lumens

Color Temperature Output of Fixture: 6,700K

Standard Mode: Ra>70, HCRI Mode: Ra>90

HCRI Filter used to switch to HCRI mode

Linear CMY color mixing

Linear CTO Color Correction: 2,700K-6,700K

1 combinable frost filter/1 combinable light frost filter and
1 combinable medium frost filter

4 rotating full blackout framing shutter blades with individually
controllable; Rotation of the framing system module: ±60°

Smooth dimming 0-100%

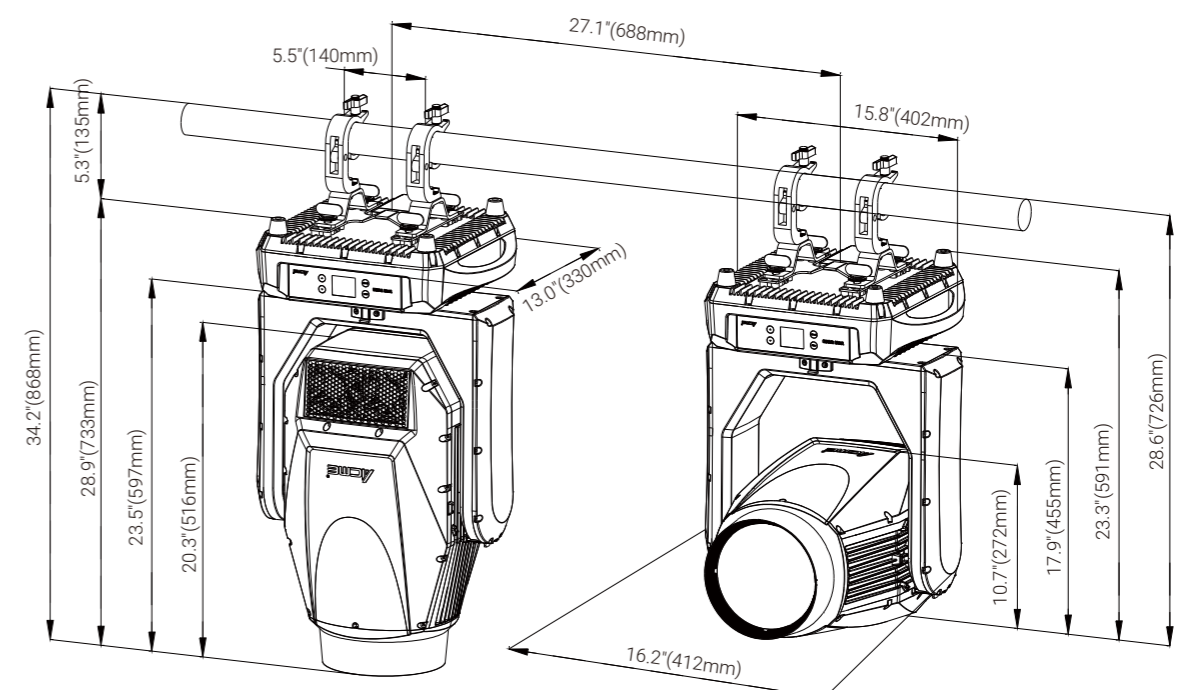
Outstanding strobe effect with variable speed
IP66 rated

1 Color Wheel, 1 Rotating Gobo Wheel

1 Color Wheel: 5 colors + CRI, plus open

1 Rotating Gobo Wheel: 6 High-precision gobos, plus open

Technical Specifications



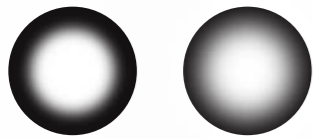
Light Source

- Light Source: 1000W LED engine
- Color Temperature Output of Fixture: 6,700K
- Total Lumen Output of Fixture: 56,000 lumens
- Life Expectancy: 20,000 hours* manufacturer specification

Optical System

- Beam Angle: 4.5°-40°
- Field Angle: 5°-60°
- Diameter of Front Lens: 180 mm

Prisms / Frost Filter



Light Frost Filter Medium Frost Filter

Colors

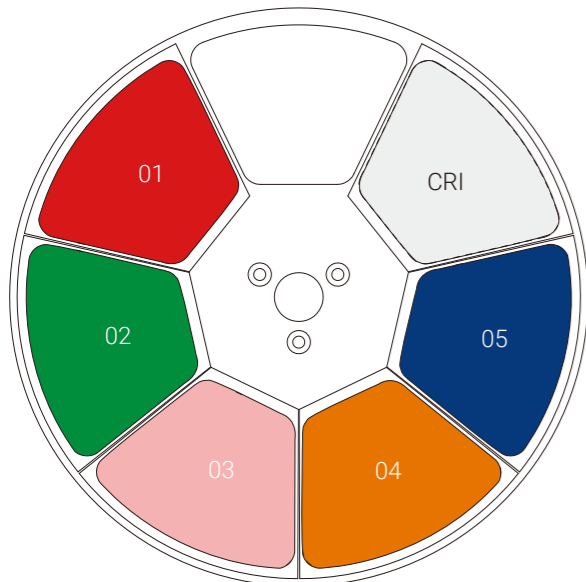
- Linear CMY color mixing



- Linear CTO Color Correction: 2,700K-6,700K



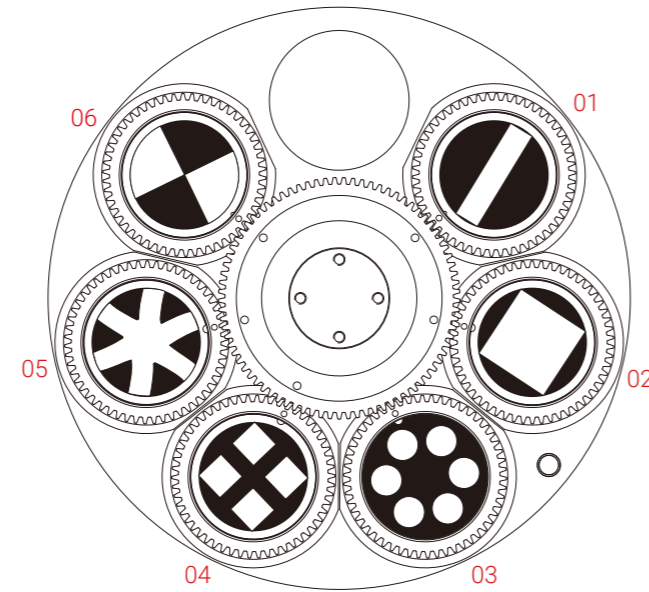
- 1 Color Wheel: 5 colors + CRI, plus open



Color Wheel

Rotating Gobos

- 1 Rotating gobo wheel: 6 High-precision gobos, plus open



Rotating Gobo Wheel

Framing System

- Shutter Blades: 4 blades, each with separate movement and full blackout
- Rotation: ±60° of the complete framing system



Framing Module

Other Effects

- Smooth dimming 0-100%
- Outstanding strobe effect with variable speed

Pan & Tilt

- Pan Movement: 540°
- Tilt Movement: 260°
- Automatic Pan/Tilt position correction
- Moving-head operated with 16 bit resolution
- Fixation: Pan/Tilt lock

Control and Program

- 4 touch button control panel
- Display: LCD display
- Protocols: DMX512, RDM
- DMX Protocol Modes: 2
- Control Channels: 18/30
- Firmware Upgrade: Upgrade via DMX link

Electrical and Connections

- Input Voltage Range: 100-240Vac; 50/60Hz
- Power Consumption: 1,455W
- Power In/Out: Waterproof power connector in/out (TRUE1 type)
- Data In/Out: 3-pin or 5-pin waterproof XLR

Physical Information

- Fixture Dimensions: 412 x 330 x 743 mm (16.2"x 13"x 29.3")
- Weight: 42.5 kg (93.7 lbs)

Packing Information

- Flight Case Dimensions: 1,143 x 812 x 840 mm (45.0"x 32.0"x 33.1")
- Weight: 182.2 kg (401.7 lbs) (two-pack loader case)
- Carton Dimensions: 620 x 590 x 850 mm (24.3"x 23.2"x 33.5")
- Weight: 84.5 kg (186.3 lbs) (two-pack loader carton)

Work Environment

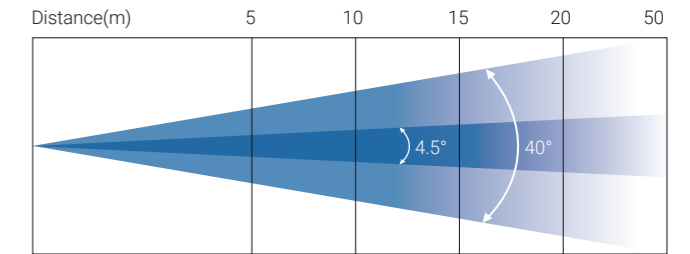
- Maximum Ambient Temperature: 40°C
- Minimum Operating Temperature: -10°C
- Maximum Surface Temperature: 65°C
- Protection Rating: IP66

Installation

- Horizontally or vertically mounting
- Universal working position
- 2, 1/4-run locking points on the base
- Safety cable attachment point

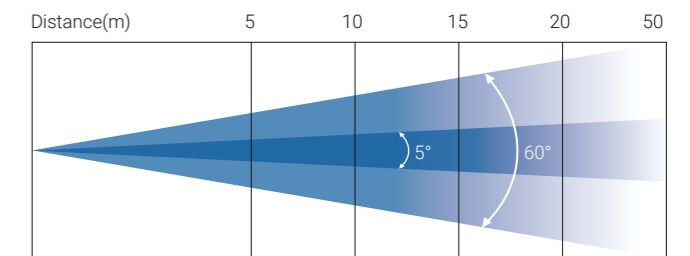
Photometric (Images)

Beam Angle:



4.5° Lux	147,470	36,867	16,385	9,216	1,475
Diameter(m)	0.4	0.8	1.2	1.6	3.9
40° Lux	3,760	940	418	235	38
Diameter(m)	3.6	7.3	10.9	14.6	36.4

Field Angle:



5° Lux	137,000	34,250	15,222	8,562	1,370
Diameter(m)	0.4	0.9	1.3	1.8	4.4
60° Lux	3400	850	378	212	34
Diameter(m)	5.8	11.6	17.3	23.1	57.7



Specifications subject to change without notice.