

FLANDINA 12

BAR 12



Light Source
12 x 3W WW LED

Beam Angle

4°



Main Features

Light Source: 12 x 3W WW LED

High efficiency LED lens, 2700k golden yellow light

Beam Angle: 4°

12 pcs LEDs pixel control

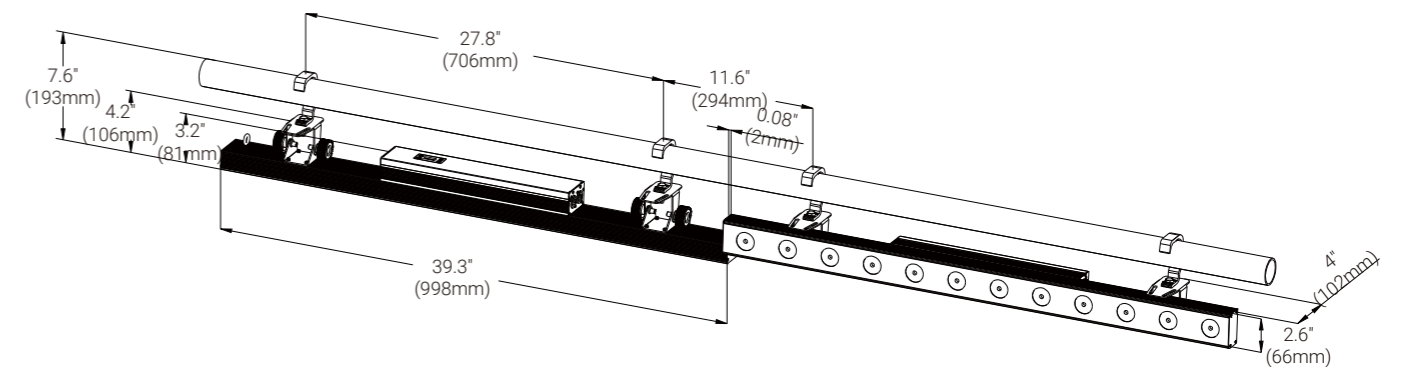
Outstanding strobe effect with variable speed

Smooth dimming 0-100%

Double mounting brackets design and the adjustable angle reaches 180° in both direction

Flicker free management

Technical Specifications



Light Source

- Light Source: 12 x 3W WW LED
- Total Lumen Output of Fixture: 1,200 lumens
- Life Expectancy: 20,000 hours*

*Source manufacturer specification

Optical System

- Beam Angle: 4°

Other Effects

- 12 pcs LED pixel control
- Outstanding strobe effect with variable speed
- Smooth dimming 0-100%
- Flicker free management

Control

- 4 button touch control panel
- Display: OLED display
- Operational Modes: DMX control, Show Mode
- Protocols: DMX512, RDM
- DMX Protocol Modes: 3
- Control Channels: 5/14/16
- Firmware Upgrade: Upgrade via DMX link
- Dimmer: 16 bit

Electrical and Connectors

- Input Voltage Range: 100-240Vac; 50Hz
- Power Consumption: 55W
- Power In/Out: Power connector in/out (TRUE1 type)
- Data In/Out: 3-pin or 5-pin XLR, RJ45 connector

Physical Information

- Fixture Dimensions:
998 x 280 x 106 mm (39.3" x 11.0" x 4.2")
- Weight: 3.3 kg (7.3 lbs)

Packing Information

- Carton dimensions:
1,090 x 102 x 405 mm (42.9" x 4.0" x 15.9")
- Weight: 17.1 kg (37.7 lbs) (one-pack loader carton)

Work Environment

- Maximum Ambient Temperature: 45°C
- Maximum Surface Temperature: 65°C
- Minimum Operating Temperature: 0°C
- Protection Rating: IP20

Installation

- Horizontally or vertically mounting
- Universal working position
- Safety cable attachment point

Photometric (Images)

