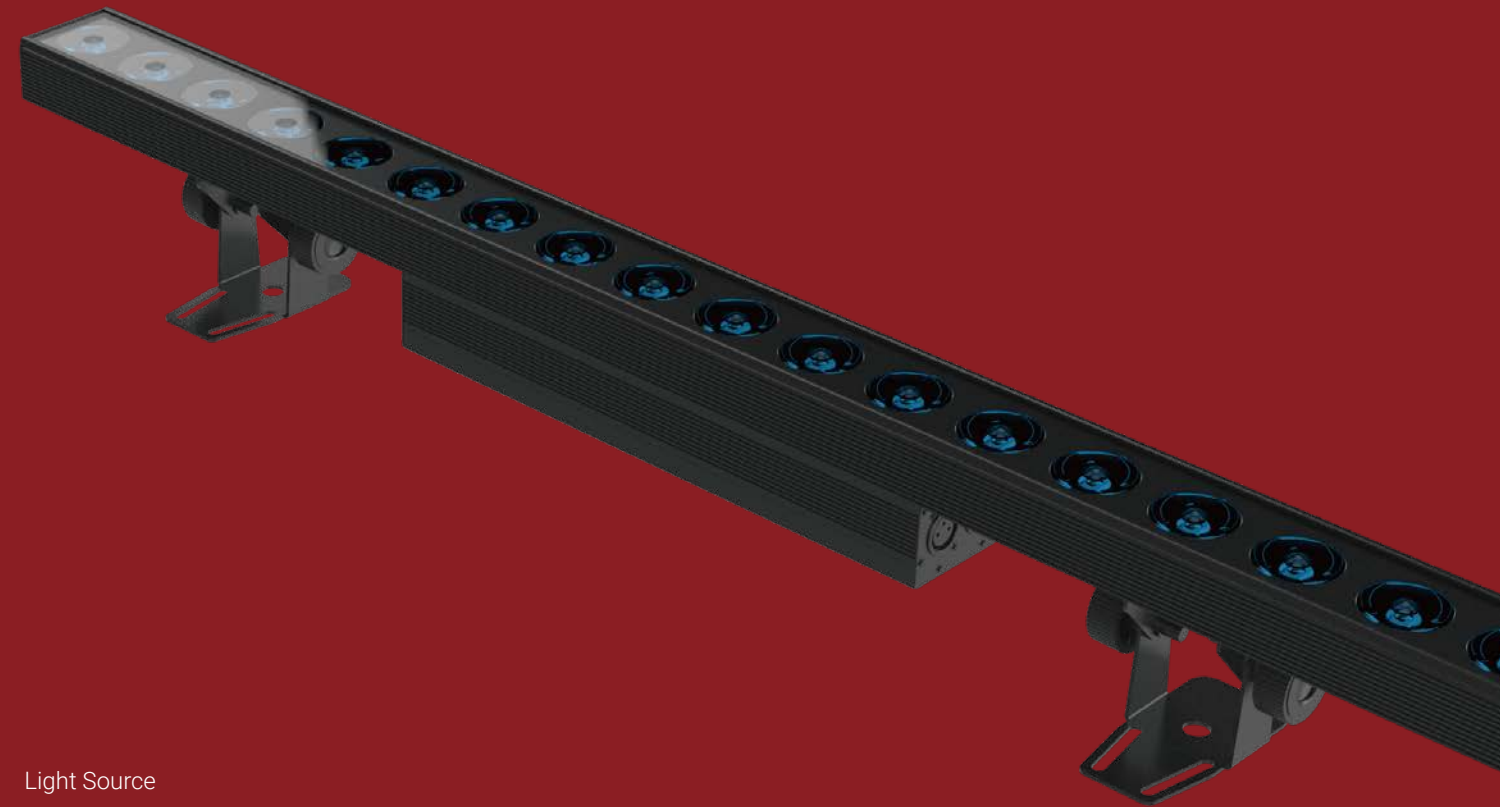


# FLANDINA 18

BAR 18



Light Source  
**18 x 8W RGBW LED**

Beam Angle  
**14.5°**



## Main Features

Light Source: 18 x 8W RGBW LED

Beam Angle: 14.5°

Field Angle: 26.4°

Efficient LED lens, uniform color mixing, which makes the light effect better

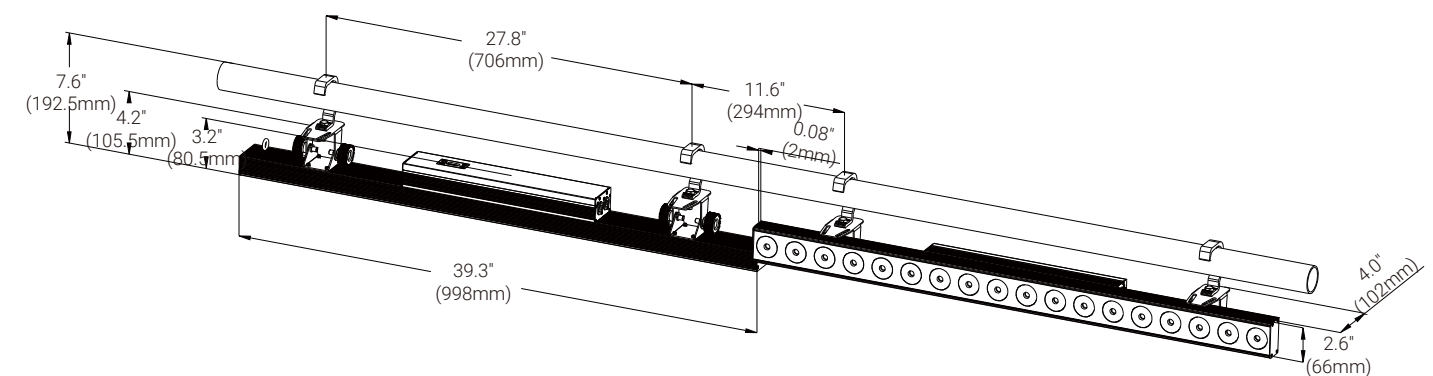
Smooth dimming 0~100%

Outstanding strobe effect with variable speed

Suitable for fixed installation or mobile performance

There are double mounting brackets at the base, the adjustable angle of the lamp can reach 180° in both directions

## Technical Specifications



### Light source

- Light Source: 18 x 8W RGBW LED
- Total Lumen Output of Fixture: 3,400 lumens
- Life Expectancy: 20,000 hours\*

\*Source manufacturer specification

### Optical System

- Beam Angle: 14.5°
- Field Angle: 26.4°

### Other Effects

- Efficient LED lens, uniform color mixing, which makes the light effect better
- Smooth dimming 0~100%
- Outstanding strobe effect with variable speed

### Control and Program

- 4 button touch control panel
- Display: OLED display
- Protocols: DMX512, RDM
- DMX Protocol Modes: 6
- Control Channels: 4/8/10/11/16/22
- Firmware Upgrade: Upgrade via DMX link

### Electrical and Connectors

- Input Voltage Range: 100-240Vac; 50/60Hz
- Power Consumption: 125W
- Power In/Out: Power connector input/output (TRUE1 type)
- Data In/Out: 3-pin or 5-pin XLR

### Physical Information

- Fixture Dimensions:  
998 x 102 x 106 mm (39.3" x 4.0" x 4.3")
- Weight: 3.5 kg (7.7 lbs)

### Work environment

- Maximum Ambient Temperature: 45°C
- Maximum Surface Temperature: 65°C
- Minimum Operating Temperature: 0°C
- Protection Rating: IP20

### Installation

- Horizontally or vertically mounting
- Universal working position
- Safety cable attachment point

### Photometric (Images)

