

# AECO 30 IP



Light Source

**1,800W LED engine**

Diameter of Front Lens

**225 mm**

Total Lumen Output of Fixture

**43,000 lumens**

Zoom Range

**4° - 48°**

Protection Rating

**IP66**

Acme

AECO 30 IP



## Main Features

LED engine composed of 1,800W LED

Diameter of Front Lens: 225 mm

Zoom Range: 4°-48°

Total Lumen Output of Fixture: 43,000 lumens

Color Temperature Output of Fixture: 6,200K

2 Rotating Gobo Wheel:

Rotating Gobo Wheel 1: 6 gobos, plus open

Rotating Gobo Wheel 2: 6 gobos, plus open

2 Color Wheel:

Color Wheel 1: 5 colors, plus open

Color Wheel 2: 4 colors, plus open

Color Rendering: Ra≥95, R9≥95, R15≥95

TLCl≥95 TM-30 Rf: 91 TM-30 Rg: 99

Linear CMY color mixing

Variable CTO ranging from 2,700K-6,200K

2 Combinable Rotating and Indexable Prisms:

1 x 4-facet prism, 1 x 4-facet linear prism, rotatable in both directions

1 combinable light frost filter and 1 combinable medium frost filter

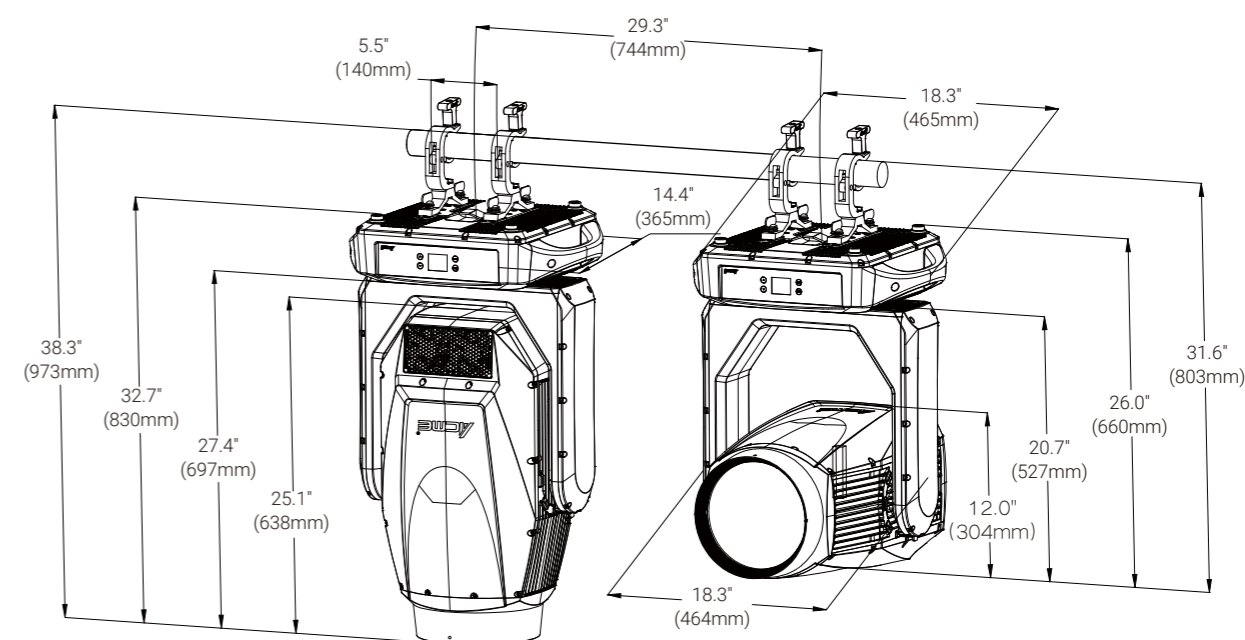
Motorized linear Iris

4 blades, each with separate movement and full blackout;

±60° rotation of the complete framing system

IP66 rated

## Technical Specifications



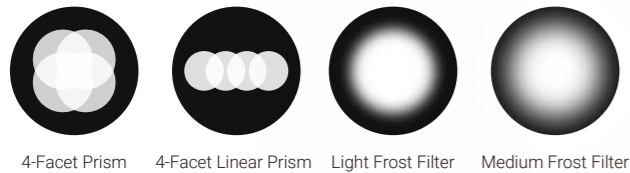
### Light Source

- Light Source: 1,800W LED engine
- Color Temperature Output of Fixture: 6,200K
- Total Lumen Output of Fixture: 43,000 lumens
- Life Expectancy: 20,000 hours\* manufacturer specification

### Optical System

- Zoom Range: 4°-48°
- Color Rendering: Ra>95, R9>95, R15>95  
TLCI>95 TM-30 Rf: 91 TM-30 Rg: 99
- Diameter of Front Lens: 225 mm

### Facet Prism / Frost Filter



### Colors

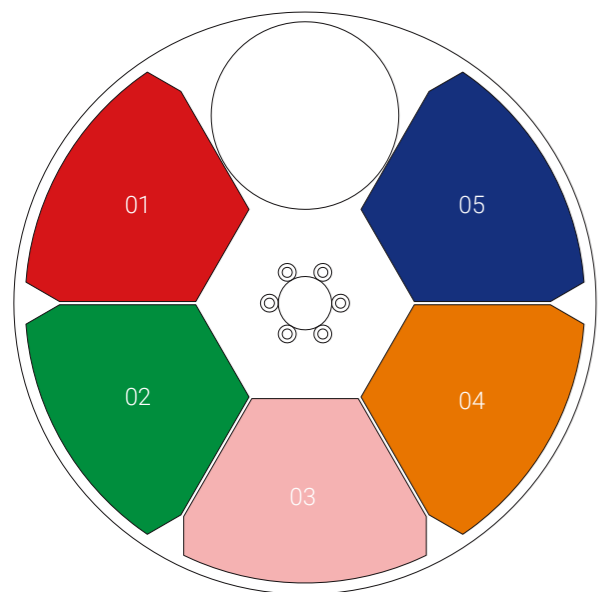
- Linear CMY color mixing



- Linear CTO Color Correction: 2,700K-6,200K

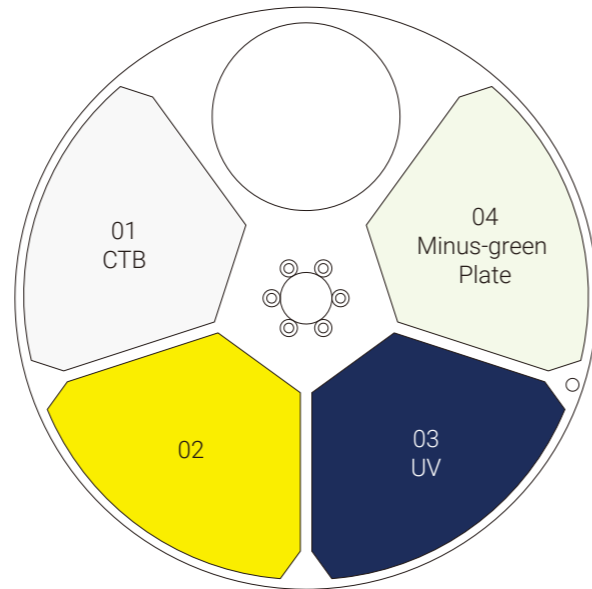


- 2 Color Wheels:  
Color Wheel 1: 5 colors, plus open



Color Wheel 1

- Color Wheel 2: 4 colors, plus open

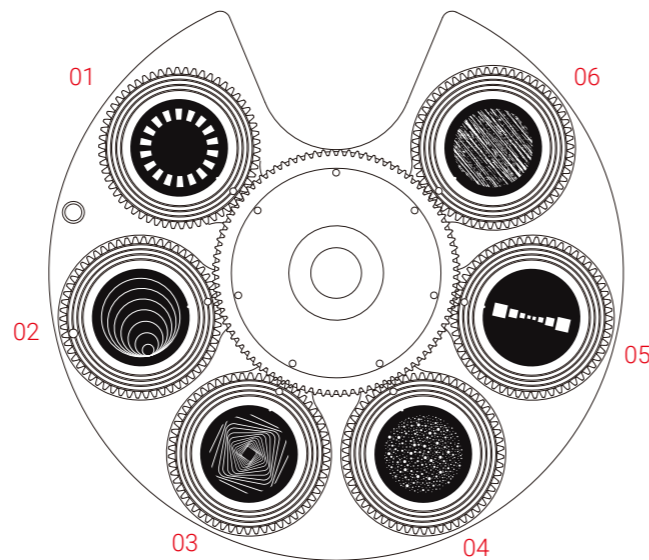


Color Wheel 2

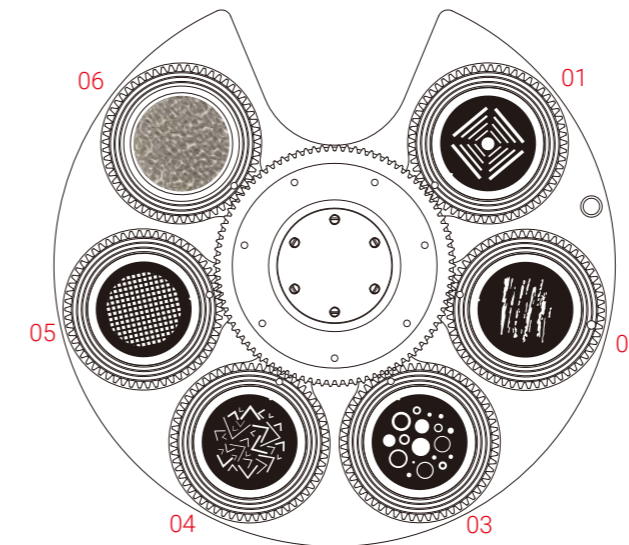
### Rotating Gobos

- 2 Rotating Gobo Wheels:

- Rotating Gobo Wheel 1: 6 gobos, plus open
- Rotating Gobo Wheel 2: 6 gobos, plus open
- Gobo Diameter 1: 34 mm, Image Diameter 1: 26.5 mm
- Gobo Diameter 2: 34 mm, Image Diameter 2: 27.5 mm
- Gobo Thickness: 1.1 mm



Rotating Gobo Wheel 1



Rotating Gobo Wheel 2

### Framing System

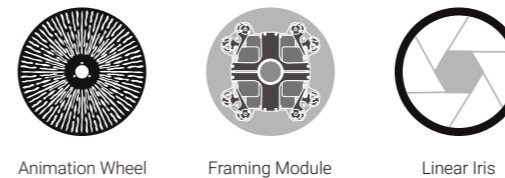
- Shutter Blades: 4 blades, each with separate movement and full blackout
- Rotation: ±60° of the complete framing system

### Animation Wheel

- A graphic animation wheel with continuous rotation in both directions, used alone or in combination with gobos to create the splendid water wave effect, and can be changed into other wheels

### Other Effects

- Motorized linear Iris



### Pan & Tilt

- Pan Movement: 540°
- Tilt Movement: 270°
- Automatic Pan/Tilt position correction
- Moving-head operated with 6 bit resolution
- Fixation: Pan/ Tilt lock

### Control

- 4 touch button control panel
- Display: LCD display
- Protocols: DMX512, RDM, Art-Net, sACN
- DMX Protocol Modes: 4
- Control Channels: 23/32/34/43
- Firmware Upgrade: Upgrade via DMX link or USB disk

### Electrical and Connectors

- Input Voltage Range: **180-240Vac; 50/60Hz**
- Power Consumption: 2,265W
- Power In/Out: Waterproof power connector in/out (TRUE1 type)
- Data In/Out: 3-pin or 5-pin waterproof XLR, RJ45 connector

### Physical Information

- Fixture Dimensions:  
465 x 365 x 830 mm (18.3" x 14.4" x 32.7")
- Weight: 52.5 kg (115.7 lbs)

### Packing Information

- Flight Case Dimensions:  
812 x 610 x 910 mm (32.0" x 24.0" x 35.8")
- Weight: (TBD)
- Carton Dimensions:  
780 x 575 x 805 mm (29.5" x 22.6" x 31.7")
- Weight: 65.0 kg (143.3 lbs) (one-pack loader carton)

### Work Environment

- Maximum Ambient Temperature: 40°C
- Minimum Operating Temperature: -10°C
- Maximum Surface Temperature: 70°C
- Protection Rating: IP66

### Installation

- Horizontally or vertically mounting
- Universal working position
- 2 omega brackets
- Safety cable attachment point

### Photometric (Images)

Distance(m)	5	10	15	20	50
4° Lux	101,600	25,400	11,288	6,350	1,016
Diameter(m)	0.4	0.7	1.0	1.4	3.5
48° Lux	4,560	1,140	506	285	45
Diameter(m)	4.5	8.9	13.3	17.8	44.5



Specifications subject to change without notice.