

COMET

XA 2000 FS



Light Source
1,800W LED engine

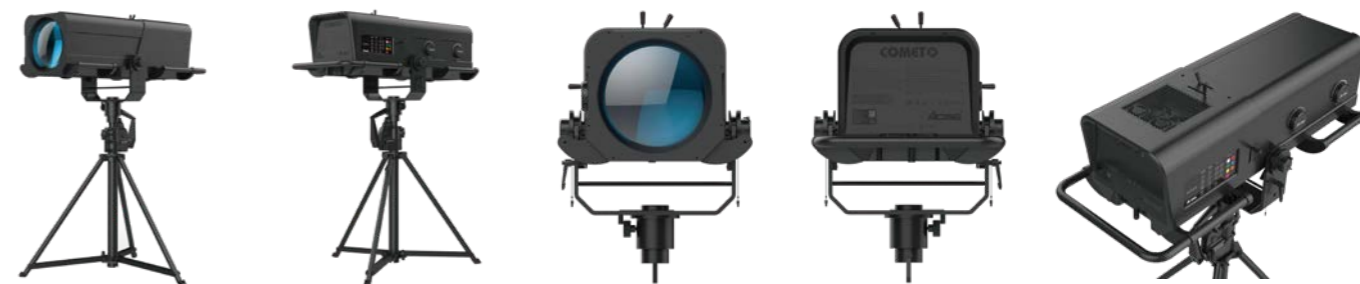
Diameter of Front Lens
280 mm

Color Temperature Output of Fixture
6,000 K

Zoom Range
5°-15°

Acme

COMET



Main Features

LED engine composed of 1,800W LED
Diameter of Frontal Lens: 280mm
Zoom Range: 5°-15°
Color Temperature Output of Fixture: 6,000K

Power Mode: three power modes
Manually adjust dimmer
Manually adjust frost, focus, zoom and iris
Smooth dimming 0-100%

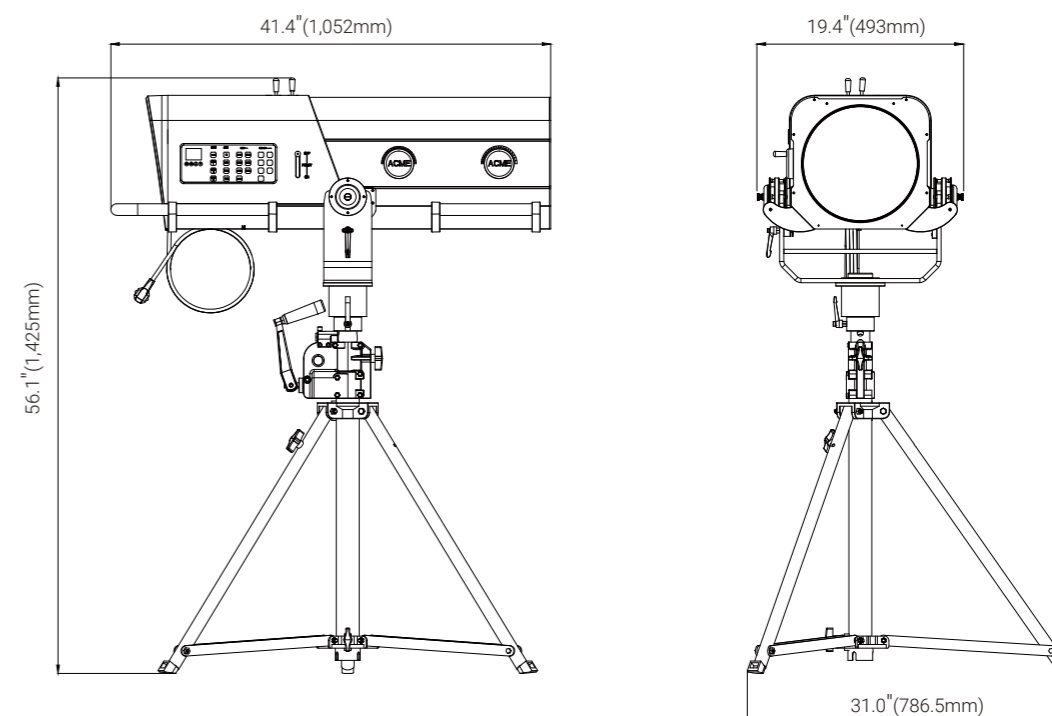
CRI: Ra≥95, R9≥90,
R15≥95, TLCI≥95, CCI:0-1.2G

1 Color Wheel: 6 colors, plus open

1 Color Temperature Wheel: 6 color temperature plates, plus open

1 Minus Green Wheel: 3 minus-green plates, plus open

Technical Specifications



Light Source

- Light Source: 1,800W LED engine
- Color Temperature Output of Fixture: 6,000K
- Total Lumen Output of Fixture: 38,000 lumens
- Life Expectancy: 20,000 hours* manufacturer specification

Optical System

- Zoom Range: 5°-15°
- Color Rendering: Ra≥95, R9≥90, R15≥95, TLCI≥95, CCI:0-1.2G
- Diameter of Front Lens: 280 mm

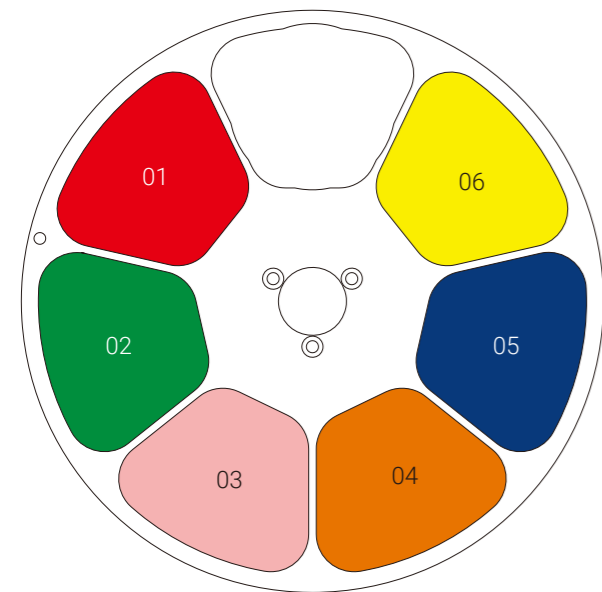
Prism / Frost Filter



Frost Filter

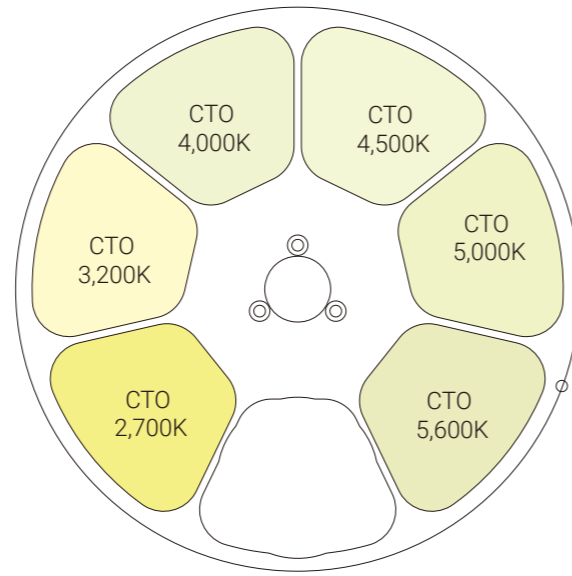
Color

- 1 Color Wheel: 6 colors, plus open



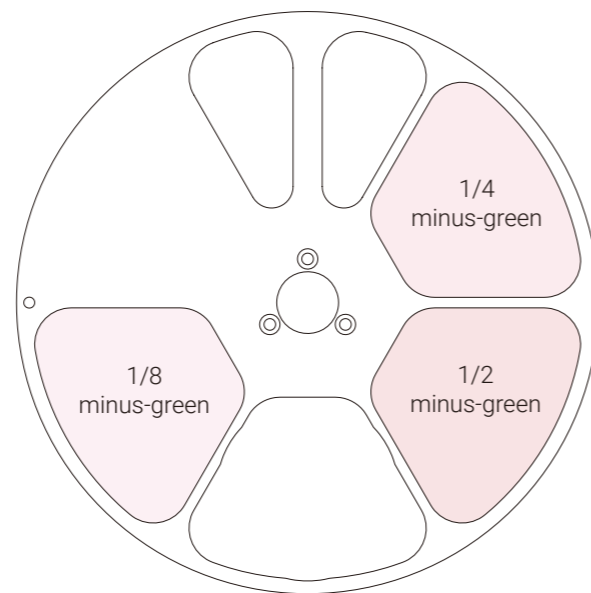
Color Wheel

- 1 Color Temperature Wheel: 6 color temperature plates



Color Temperature Wheel

- 1 Minus Green Wheel: 3 minus-green plates, plus open



Minus Green Wheel

Other Effects

- Motorized linear Iris from 0 to 100%
- Smooth dimming 0-100%



Linear Iris

Control

- 26-Button touch panel
- Display: LCD display
- Protocols: DMX 512, RDM, Manual control, Touch screen
- DMX Protocol Modes: 1
- Control Channels: 7
- Firmware Upgrade: Upgrade via DMX link

Electrical and Connectors

- Input Voltage Range: 100-240Vac; 50/60Hz
- Power Consumption: 2,180W
- Power In/Out: Power cord in
- Data In/Out: 3-pin XLR

Physical Information

- Fixture Dimensions: 493 x 1,052 x 369 mm (19.4" x 41.4" x 14.5")
Weight: 51.0 kg (112.4 lbs)
- FixtureDimensions (with tripod) : 1,052 x 787 x 1,425 mm (41.4" x 31" x 56.1")
Weight: 74.5 kg (164.2 lbs) (including tripod)

Packing Information

- Flight Case Dimensions: 1,195 x 625 x 775 mm (47.0" x 24.6" x 30.5")
Weight: 134.5 kg (296.5 lbs) (one-pack loader case)

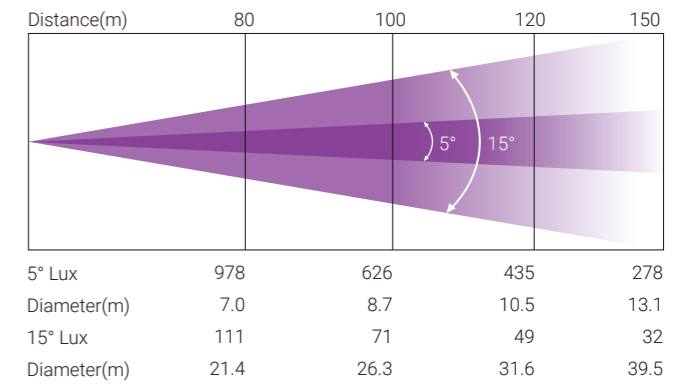
Work Environment

- Maximum Ambient Temperature: 40°C
- Minimum Operating Temperature: 0°C
- Maximum Surface Temperature: 75°C
- Protection Rating: IP20

Installation

- Horizontally or vertically mounting
- Universal working position
- Tripod in the bottom
- Safety cable attachment point

Photometric (Images)



Specifications subject to change without notice.