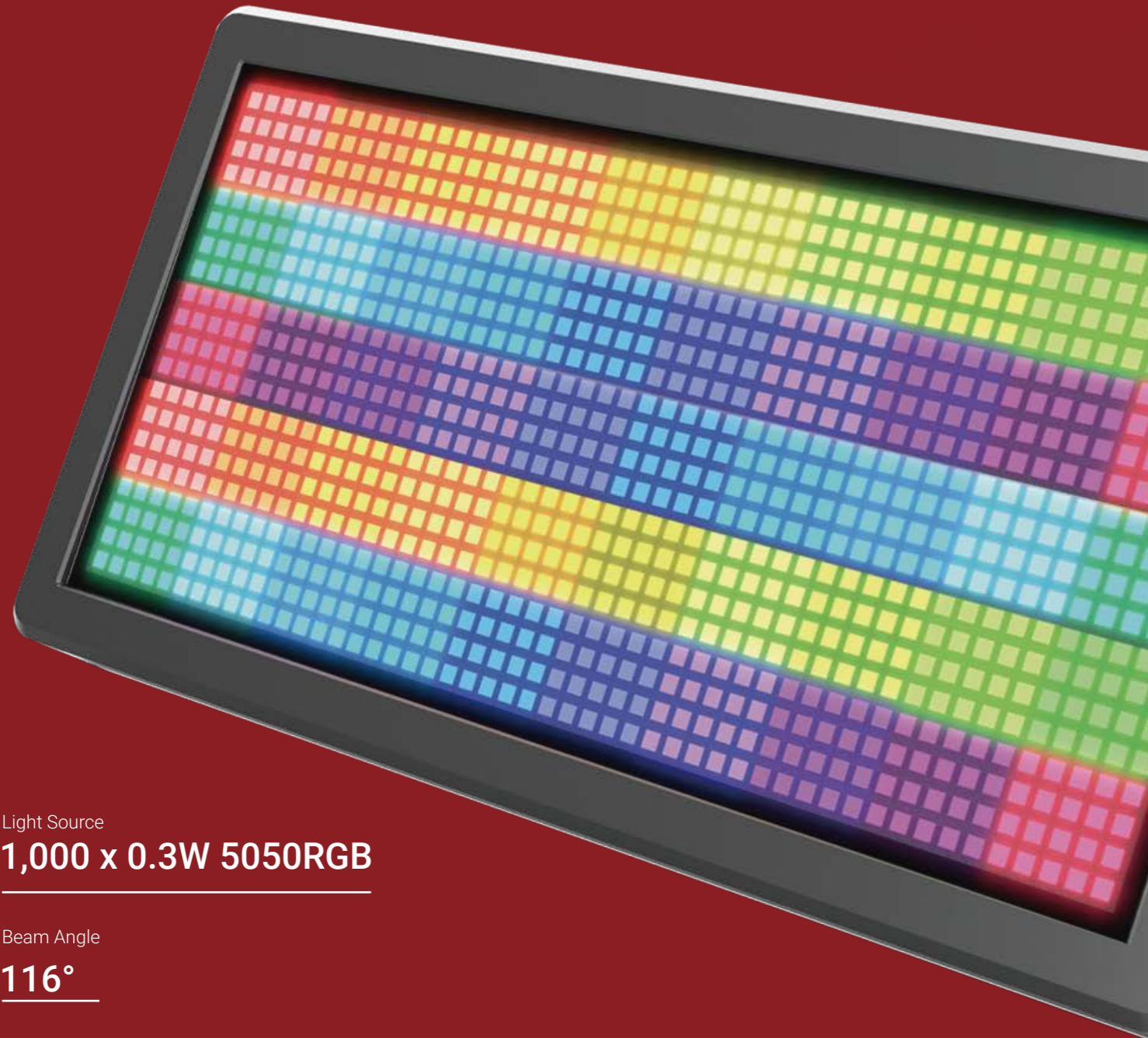


VOLTKA

STROBE 1



Light Source
1,000 x 0.3W 5050RGB

Beam Angle
116°

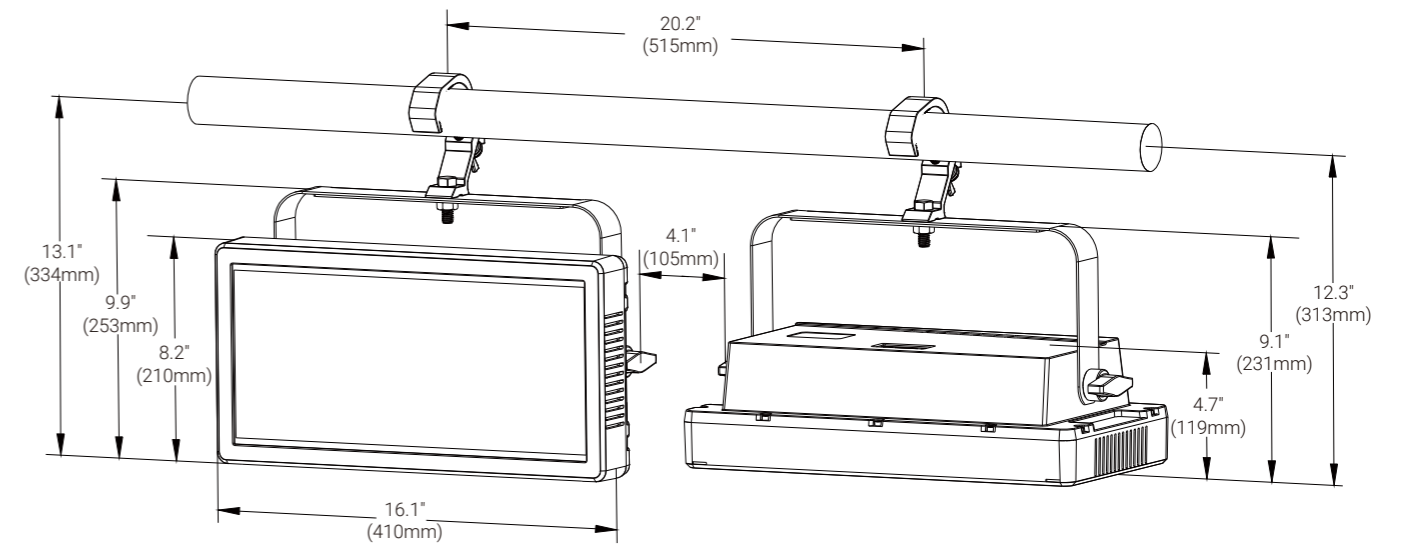


Main Features

Light Source: 1,000 x 0.3W 5050RGB
50 LED zones can be controlled individually
Beam Angle: 116°

Outstanding strobe effect with variable speed
Small size, light weight
Smooth dimming 0-100%
Flicker free management

Technical Specifications



Light Source

- Light Source: 1,000 x 0.3W 5050RGB
- Life Expectancy: 20,000 hours * manufacturer specification

Optical System

- Beam Angle: 116°

Other Effects

- RGB color mixing
- 50 LED zones can be controlled individually
- High brightness
- Outstanding strobe effect with variable speed
- Smooth dimming 0-100%

Control

- 4 touch button control panel
- Display: OLED display
- Control Mode: DMX512, RDM
- DMX Protocol Modes: 5/12/35A/35B/150
- Firmware Upgrade: Upgrade via DMX link

Electrical & Connectors

- Power supply with electronic auto-ranging
- Input Voltage Range: 100-240Vac; 50/60Hz
- Power Consumption: 275 W
- Power In/Out: power connector in/out (TRUE1 type)
- Data In/Out: 3-pin or 5-pin XLR

Physical Information

- Fixture dimension:
410 x 210 x 120 mm (16.1" x 8.3" x 4.7")
- Weight: 4.0 kg (8.8 lbs)

Packing Information

- Carton Dimension: 505 x 285 x 210 mm (19.9" x 11.2" x 8.3")
- Weight: 4.9 kg (10.8 lbs) (one-pack loader carton)

Work Environment

- Maximum Ambient Temperature: 40°C
- Minimum Operating Temperature: 0°C
- Maximum Surface Temperature: 65°C

Installation

- Horizontal or vertical mounting
- Universal working position
- 1 omega bracket
- Safety cable attachment point

Photometric (Images)

