

GEIST BSWF

XA-500 BSWF



Light Source

450W LED

Diameter of Front Lens

120 mm

Total Lumen Output of Fixture

20,000 lumens

Zoom Range

6.5°-54°

Acme

GEIST BSWF



Main Features

450W white LED

Diameter of Front Lens: 120 mm

Beam Angle: 6.5°-54°

Total Lumen Output of Fixture: 20,000 lumens

Color Temperature Output of Fixture: 7,000K

Standard mode Ra>70, High CRI mode Ra>90

Switch to high CRI mode with high CRI filter

Motorized focus

Linear CMY color mixing

Variable CTO: 2,700K-7,000K

1 Combinable Rotating and Indexable Prism:

1 x 4-facet prism, rotatable in both directions

1 combinable light frost filter and 1 combinable medium frost filter

Motorized linear iris

4 rotating full blackout framing shutter blades with individually controllable; Rotation of the framing system module: ±45°

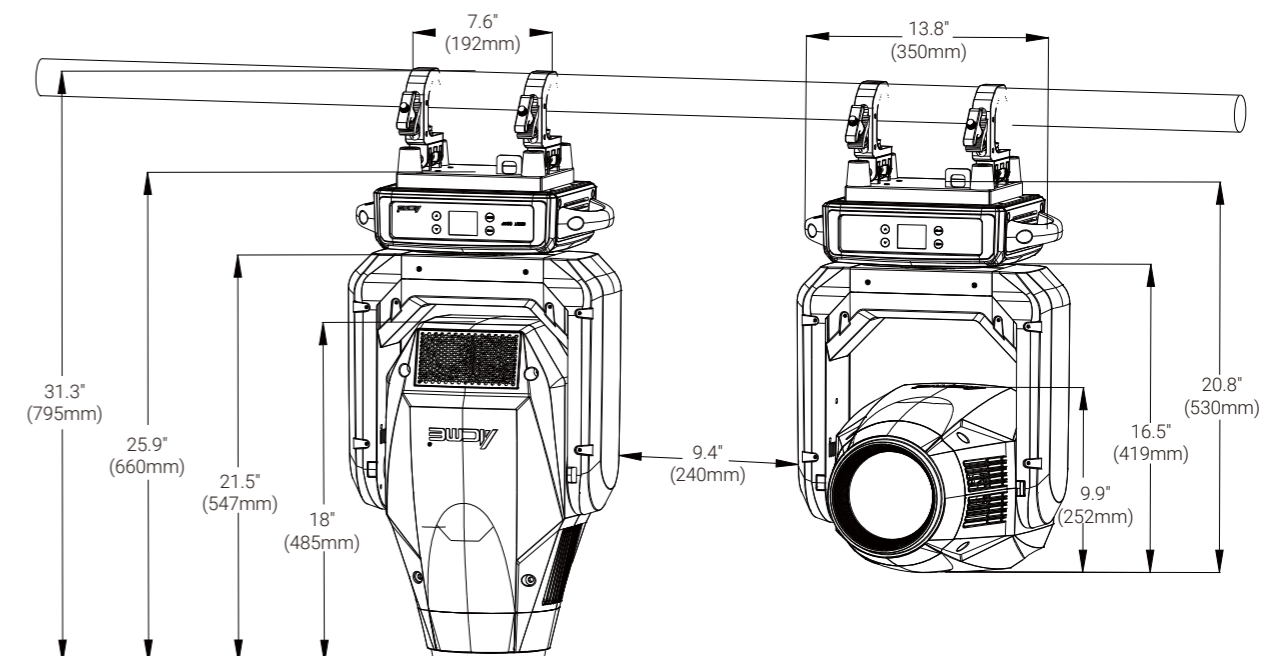
1 Static Gobo Wheel, 1 Rotating Gobo Wheel, 1 Color Wheel

1 Static Gobo Wheel: 8 gobos, plus open

1 Rotating Gobo Wheel: 7 gobos, plus open

1 Color Wheel: 5 colors, plus open

Technical Specifications



Light Source

- Light Source: 450W LED
- Color Temperature Output of Fixture: 7,000K
- Total Lumen Output of Fixture: 20,000 lumens
- Life expectancy: 20,000 hours*

*Source manufacturer specification

Optical System

- Standard mode Ra > 70, High CRI mode Ra > 90
- Beam Angle: 6.5°-54°
- Diameter of Front Lens: 120 mm

Prism / Frost Filter



8-Facet Prism Light Frost Filter Medium Frost Filter

Colors

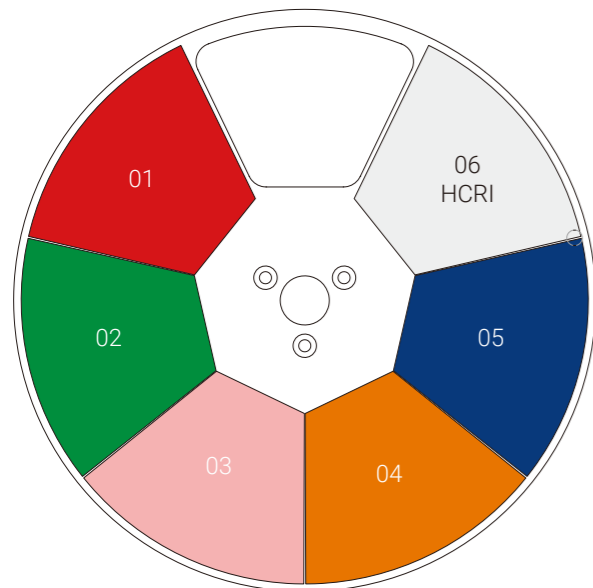
- Linear CMY color mixing



- Variable CTO: 2,700K-7,000K



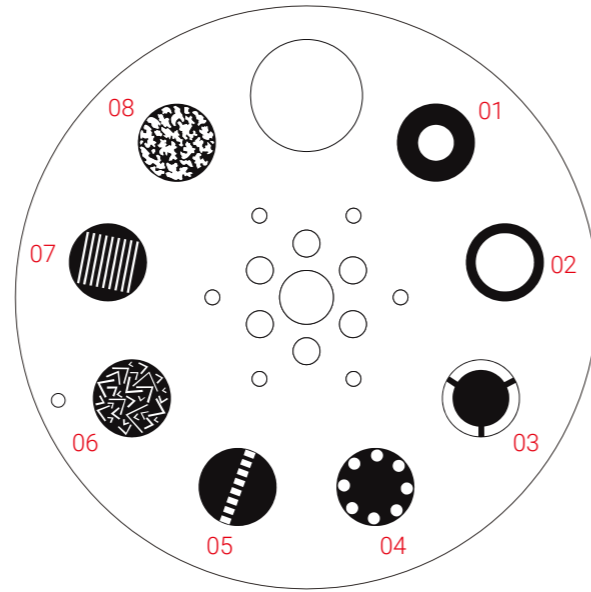
- 1 Color Wheel: 5 colors, plus open



Color Wheel

Static Gobos

- 1 Static Gobo Wheel: 8 gobos, plus open



Static Gobo Wheel

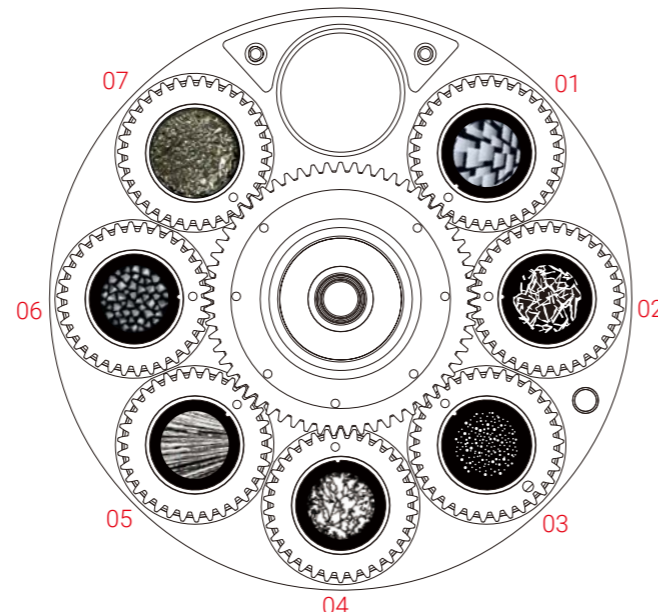
Rotating Gobos

- 1 Rotating & Interchangeable Gobo Wheel: 7 gobos, plus open

- Adjustable-speed rotating gobo in both directions

Gobo Diameter: 22.5 mm

Image Diameter: 17 mm



Rotating Gobo Wheel

Framing System

- Shutter Blades: 4 blades, each with separate movement and full blackout
- Rotation: ±45° of the complete framing system

Other Effects

- Motorized linear iris
- Smooth dimming 0-100%
- Outstanding strobe effect with variable speed



Framing Module



Linear Iris

Pan & Tilt

- Pan movement: 540°
- Tilt movement: 270°
- Automatic Pan/Tilt position correction
- Moving-head operated with 16 bit resolution
- Pan/Tilt lock

Control

- 4 button touch control panel
- Display: LCD display
- Protocols: DMX512, RDM, Art-Net, sACN
- DMX Protocol modes: 3
- Control channels: 25/29/34/35
- Firmware Upgrade: Upgrade via DMX link or USB disk

Electrical and Connectors

- Input voltage range: 100-240Vac; 50/60Hz
- Power consumption: 670W
- Power In/Out: Power Connector in/out (TRUE1 type)
- Data In/Out: 3-pin or 5-pin XLR, RJ45 connector

Physical Information

- Fixture Dimensions: 52 x 364 x 692 mm (9.9" x 14.3" x 27.2")
- Weight: 26.5 kg (58.5 lbs)

Packing Information

- Flight Case Dimensions: 890 x 780 x 575 mm (35.0" x 30.7" x 22.6")
- Weight: 95.5 kg (210.5 lbs)(two-pack loader case)

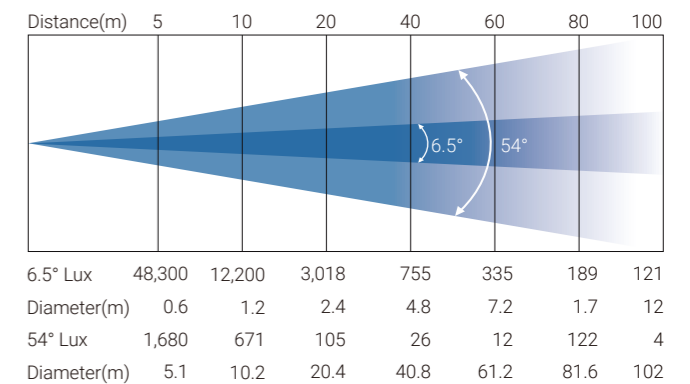
Work Environment

- Maximum Ambient Temperature: 45°C
- Minimum Operating Temperature: 0°C
- Maximum Surface Temperature: 65°C
- Protection Rating: IP20

Installation

- Horizontal or vertical mounting
- 2 pairs of 1/4-turn locking points under the base
- 2 Omega brackets (accepts most hooks or clamps)
- Safety cable attachment point

Photometric (Images)



Specifications subject to change without notice.

10/15/2024