

# DETONATOR

BEAM 200



Light Source  
**200W LED engine**

Beam Angle  
**2.4°**

Diameter of Frontal Lens  
**125 mm**

Acme

DETONATOR



## Main Features

LED engine comprised of 200W LED

125 mm diameter front lens

Total Lumen Output of Fixture: 2,600 lumens

Color Temperature Output of Fixture: 10,000K

Standard Mode: Ra>70

Beam Angle: 2.4°

1 multi-facet circular prism, rotatable in both directions

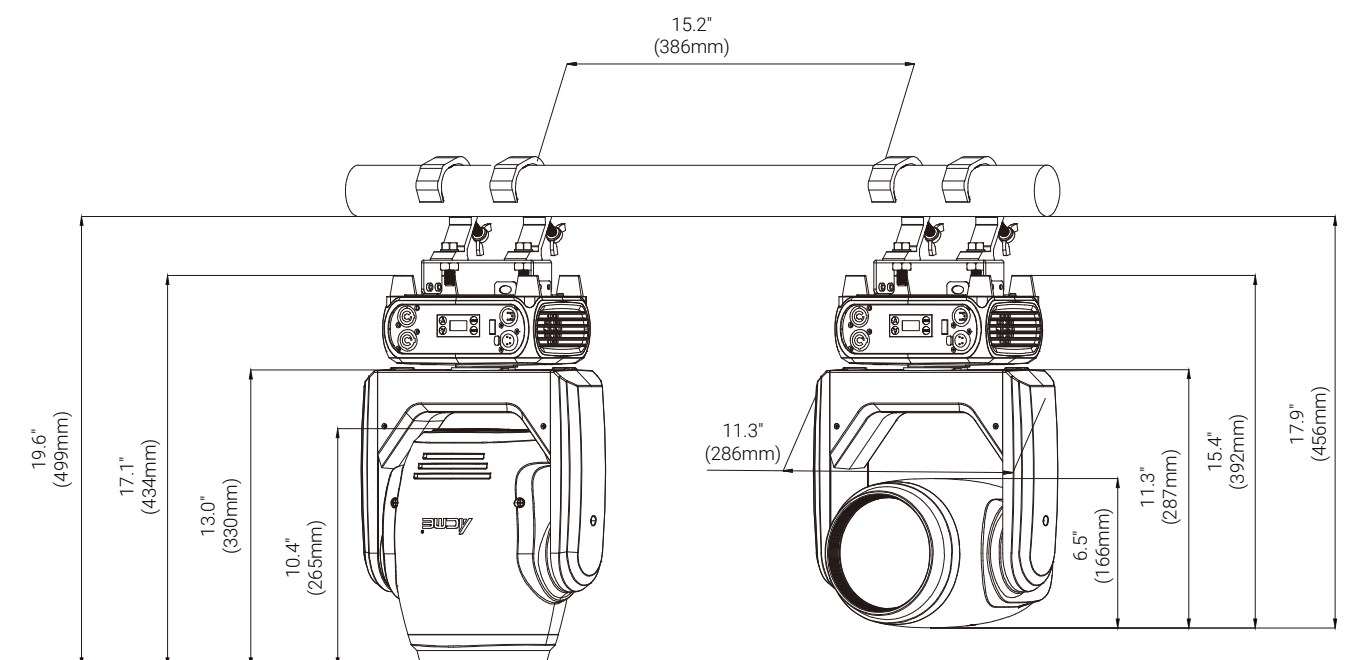
Motorized linear focus system

Multiple build-in show modes

1 Static Gobo Wheel: 10 gobos, plus open

1 Color Wheel: 10 colors, with rainbow effect, plus open

## Technical Specifications



**Light Source**

- Light Source: 200W LED engine
- Color Temperature Output of Fixture: 10,000K
- Total Lumen Output of Fixture: 2,600 lumens
- Life Expectancy: 20,000 hours\*

\*Source manufacturer specification

**Optical System**

- Beam Angle: 2.4°
- Standard Mode: Ra>70
- Diameter of Frontal Lens: 125 mm

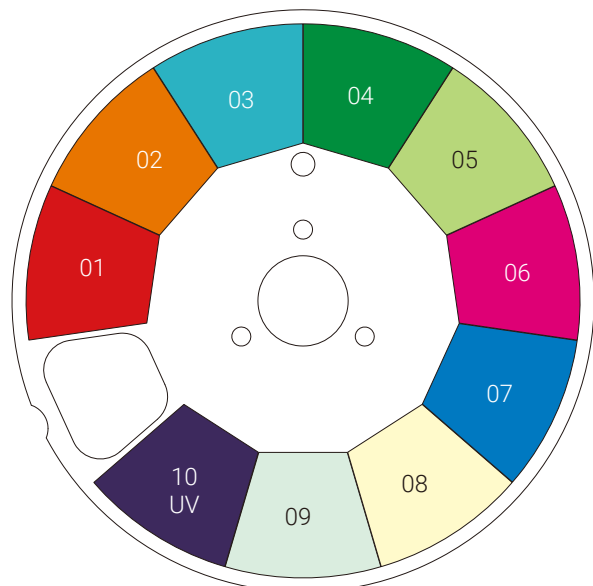
**Prism / Frost Filter**



1 multi-facet circular prism

**Colors**

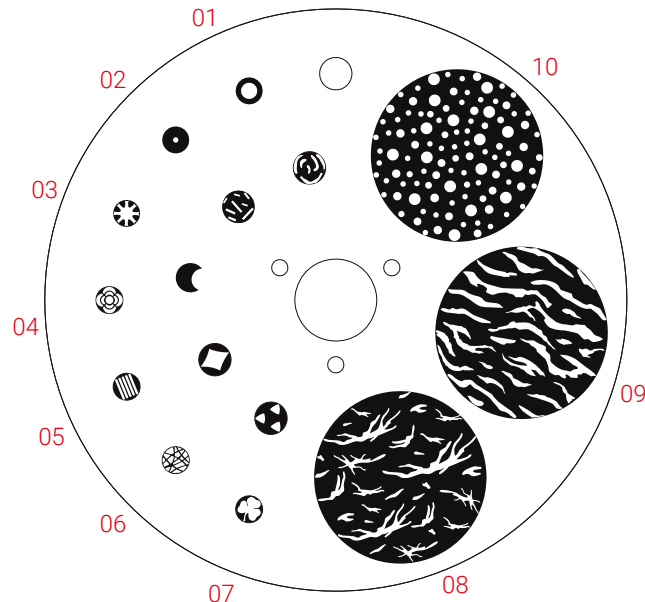
- 1 Color Wheel: 10 colors, plus open, with rainbow effect



Color Wheel

**Static Gobos**

- 1 Static Gobo Wheel: 10 gobos, plus open
- Image Diameter: 6 mm



Static gobo wheel

**Other Effects**

- Outstanding strobe effect with variable speed
- Motorized linear focus system
- Smooth dimming 0-100%

**Pan & Tilt**

- Pan Movement: 540°
- Tilt Movement: 270°
- Automatic Pan/Tilt position correction
- Resolution: 16 bit

**Control**

- 4 button touch control panel
- Display: LCD display
- Operational Modes: DMX control, Show Mode, Sound Active
- Protocols: DMX512, RDM
- DMX Protocol Modes: 1
- Control Channels: 16
- Firmware Upgrade: Upgrade via DMX link

**Electrical & Connectors**

- Input Voltage Range: 100-240Vac; 50/60Hz
- Power Consumption: 240W
- Power In/Out: Power connector in/out (TRUE1 type)
- Data In/Out: 5-pin XLR

**Physical Information**

- Fixture Dimensions: 286 x 166 x 434 mm (11.3" x 6.5" x 17.1")
- Weight: 8.1 kg (17.9 lbs)

**Packing Information**

- Carton Dimensions: 380 x 345 x 490 mm(15.0" x 13.6" x 19.3")
- Weight: 10.2 kg (22.5 lbs) (one-pack loader carton)

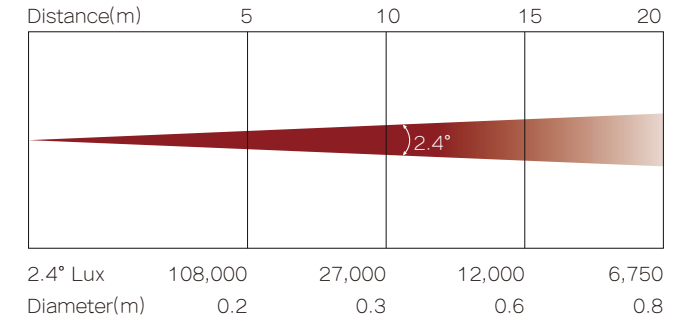
**Work Environment**

- Maximum Ambient Temperature: 40°C
- Minimum Operating Temperature: 0°C
- Maximum Surface Temperature: 60°C
- Protection Rating: IP20

**Installation**

- Horizontal or vertical mounting
- Universal working position
- Truss hanging in two clamps
- Safety cable attachment point

**Photometric (Images)**



Specifications subject to change without notice.

10/23/2024