

WILLOW 200

BSW 200



Light Source

150W LED Engine

Beam Angle

9.5°

Field Angle

13°

Diameter of Frontal Lens

100 mm

Acme

WILLOW 200



Main Features

LED engine comprised of 150W LED

100 mm diameter front lens

Standard Mode: Ra>70

Multiple built-in show modes

Intelligent sound control, lighting effect changes with the music rhythm

Motorized linear focus

Outstanding strobe effect with various speeds

Smooth dimming 0-100%

1 x 3-facet prism, rotatable in both directions

1 zoom lens

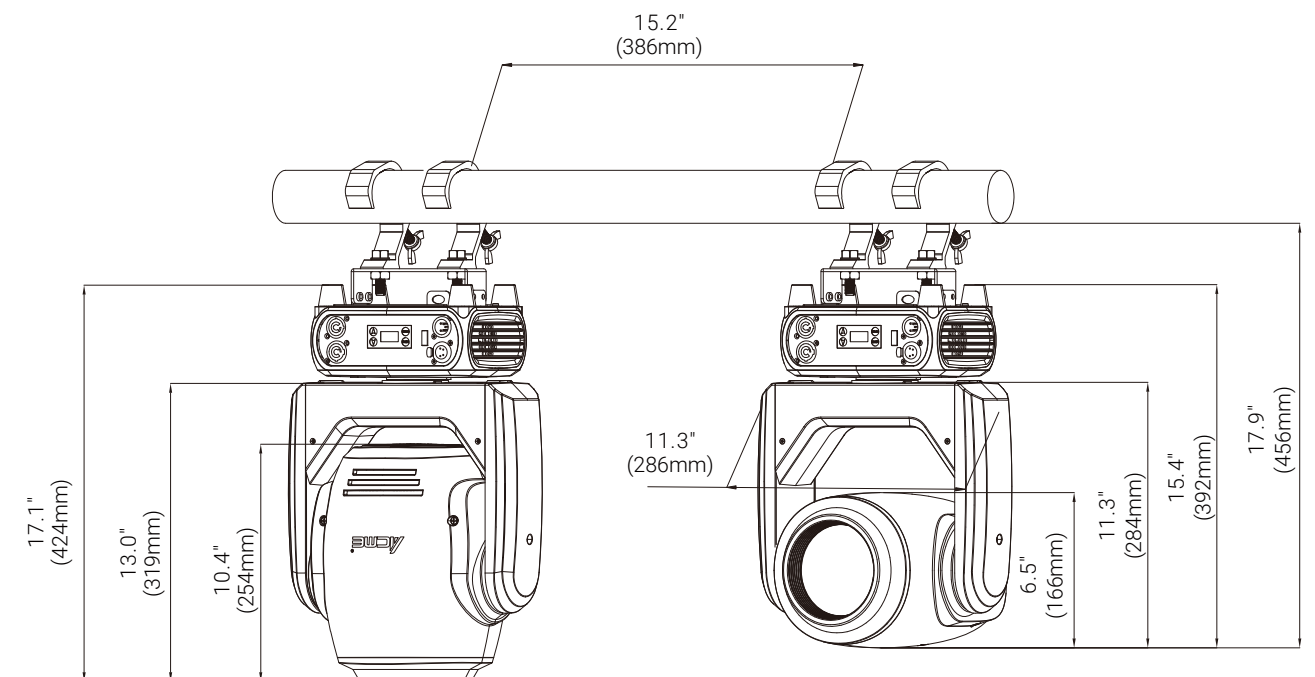
1 combinable frost filter

1 Color Wheel, 1 Rotating Gobo Wheel

1 Color Wheel: 8 colors, plus open, with rainbow effect

1 Rotating Gobo Wheel: 6 gobos, plus open

Technical Specifications



Light Source

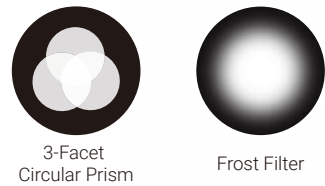
- Light Source: 150W LED Engine
- Color Temperature Output of Fixture: 11,250K
- Total Lumen Output of Fixture: 8,000 lumens
- Life Expectancy: 20,000 hours*

*Source manufacturer specification

Optical System

- Beam Angle: 9.5°
- field Angle: 13°
- Standard Mode: Ra>70
- Diameter of Frontal Lens: 100 mm

Prism/Frost Filter



Colors

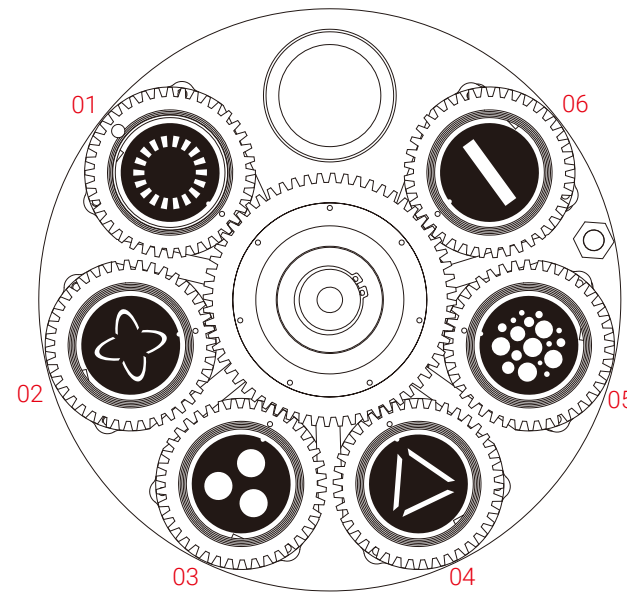
- 1 Color Wheel: 8 colors, plus open, with rainbow effect



Color Wheel

Rotating Gobos

- 1 Rotating Gobo Wheel: 6 gobos, plus open
- Image Diameter: 16 mm



Rotating gobo wheel

Other Effects

- 1 zoom lens
- Outstanding strobe effect with variable speed
- Motorized linear focus
- Smooth dimming 0-100%

Pan & Tilt

- Pan Movement: 540°
- Tilt Movement: 270°
- Automatic Pan/Tilt position correction
- Resolution: 16 bit

Control

- 4 button touch control panel
- Display: LCD display
- Operational Modes: DMX control, Show Mode, Sound Active
- Protocols: DMX512, RDM
- DMX Protocol Modes: 1
- Control Channels: 17
- Firmware Upgrade: Upgrade via DMX link

Electrical & Connectors

- Input Voltage Range: 100-240Vac; 50/60Hz
- Power Consumption: 220W
- Power In/Out: Power connector in/out (TRUE1 type)
- Data In/Out: 5-pin XLR

Physical Information

- Fixture Dimensions:
286 x 166 x 424 mm (6.9" x 10.8" x 17.3")
- Weight: 9.0 kg (19.8 lbs)

Packing Information

- Carton Dimensions:
380 x 345 x 490 mm (15.0" x 13.6" x 19.3")
- Weight: 11.2 kg (24.7 lbs) (one-pack loader carton)

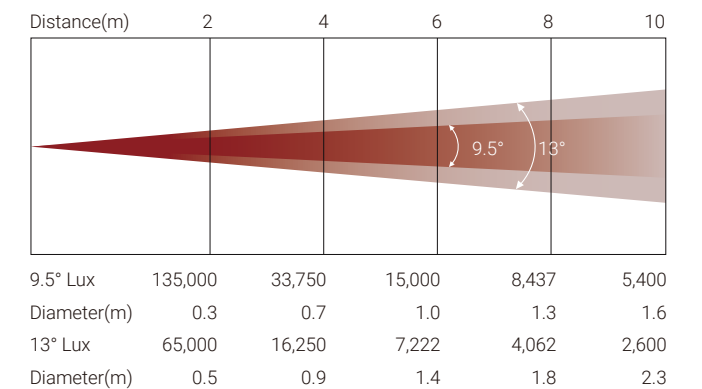
Work environment

- Maximum Ambient Temperature: 40°C
- Minimum Operating Temperature: 0°C
- Maximum Surface Temperature: 60°C
- Protection Rating: IP20

Installation

- Horizontally or vertically mounting
- Truss hanging in two clamps
- Safety cable attachment point

Photometric (Images)



Specifications subject to change without notice.

11/04/2024