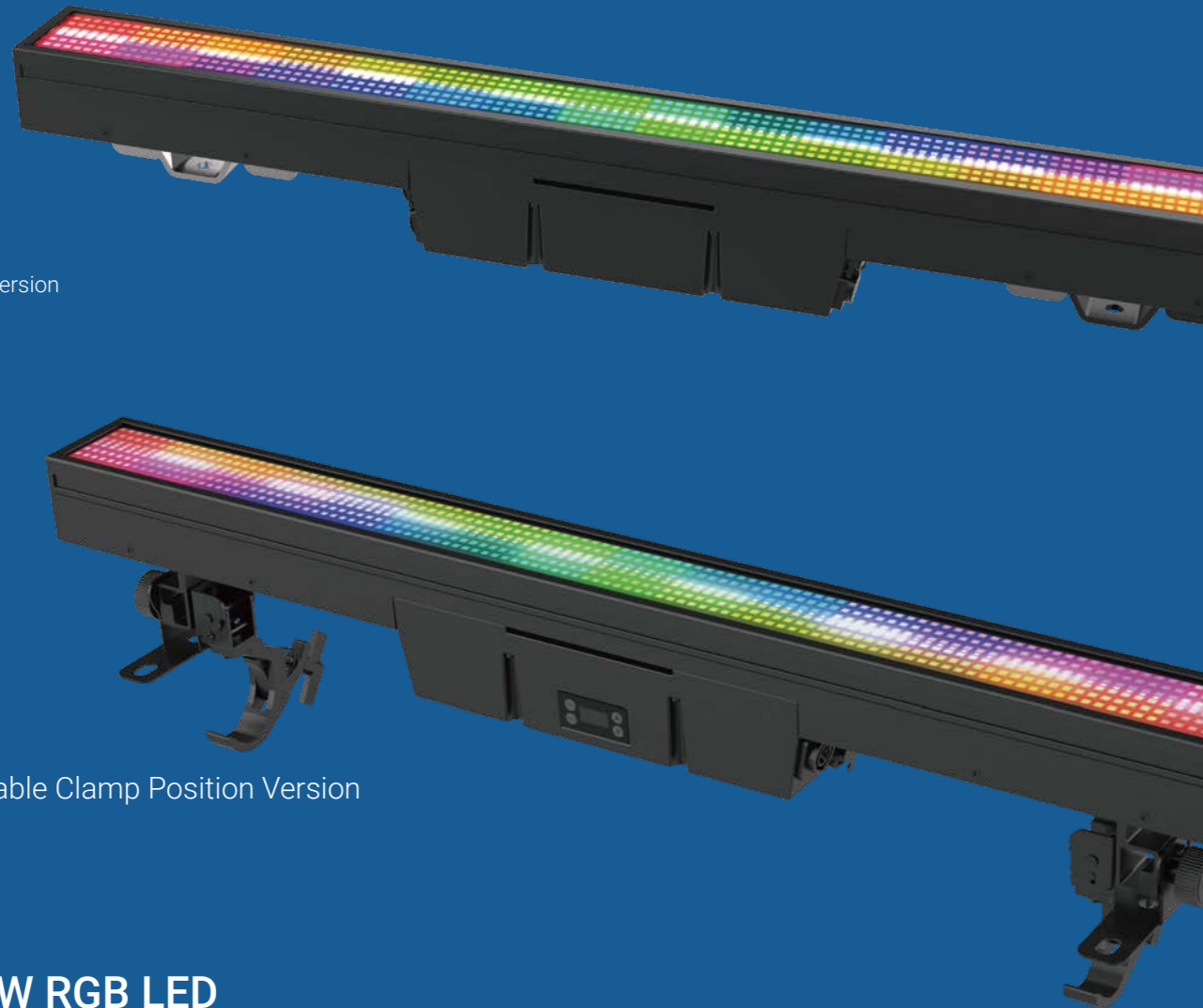


PIXEL LINE IP

STROBE 3 IP



Omega Brackets Version

Sliding Adjustable Clamp Position Version

Light Source

672 x 0.5W RGB LED
112 x 3W CW LED

Beam Angle

RGB Beam Angle: 101°

CW Beam Angle: 108°

Field Angle

RGB Field Angle: 149°

CW Field Angle: 152°

Protection Rating

IP66



Color Mapping



Full Open Transparent



Linear Strobe



Full Open by Frosted

Main Features

Light Source:

672pcs 0.5W RGB LED

(can be divided into 32 controllable sections)

112pcs 3W CW LED

(can be divided into 16 controllable sections)

Smart Glass technology for DMX controllable frost effects

Patent No.:

CN216010577U

US11698183B1

DE202023101966U1

FR3134870B3

Outstanding color effects

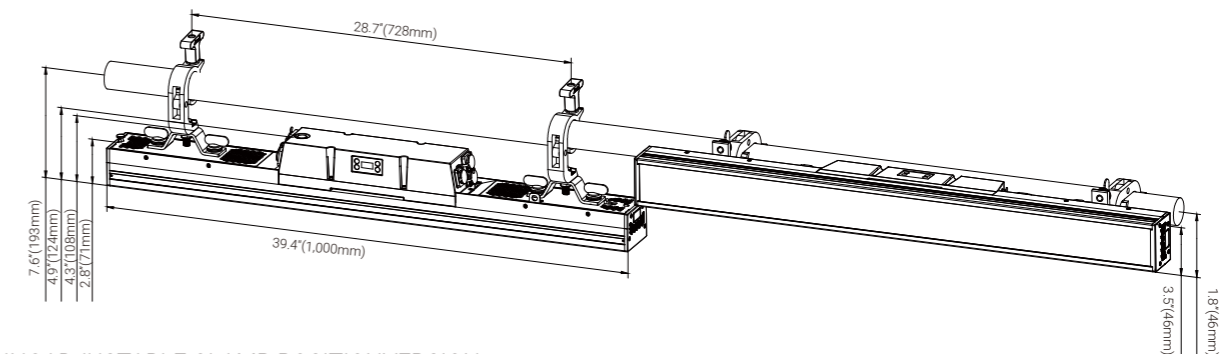
High output strobe effects

Multiple units can be connected tool free

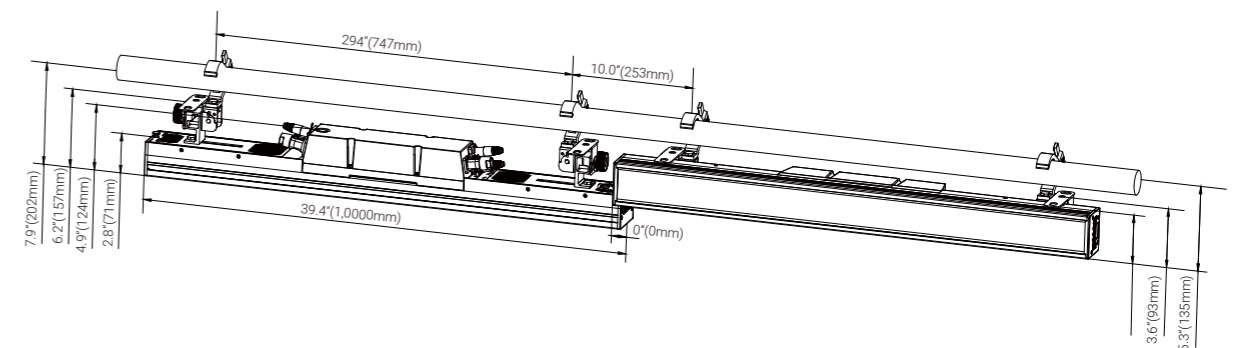
Four dimming curves

Technical Specifications

1. OMEGA BRACKETS VERSION



2. SLIDING ADJUSTABLE CLAMP POSITION VERSION



Version

- Vesion1: STROBE 3 IP (Omega Bracket Mounting)
- Vesion 2: STROBE 3 IPS (Sliding Adjustable Clamp)
- Note: Different vesions cannot be connected together

Light Source

- Light Source:
- 672 x 0.5W RGB LED
- 112 x 3W CW LED

Optical System

- Beam Angle:
- RGB Beam Angle: 101°
- CW Beam Angle: 108°
- Field Angle:
- RGB Field Angle: 149°
- CW Field Angle: 152°
- Advanced optical design to ensure LED chips tightly arranged
- Smart Glass technology for DMX controllable frost effects

Other Effects

- Outstanding color mixing effect
- High output strobe effect
- Four dimming curves

Control

- 4 touch button control panel
- Display: OLED display
- Protocols: DMX512, RDM, Art-Net, sACN
- DMX Protocol Modes: 11
- Control Channels: 7/15/17/21/33/39/65/68/70/112/117
- Firmware Upgrade: Upgrade via DMX link

Electrical and Connectors

- Input Voltage Range: 100-240Vac; 50/60Hz
- Power Consumption: 420W
- Power In/Out: Waterproof connections (TRUE1 type)
- Data In/Out: 3-pin or 5-pin waterproof XLR, RJ45 connector

Physical Information

- Fixture Dimensions:

Version 1 with Omega Brackets:

1,000 x 90 x 124 mm (39.4" x 3.5" x 4.9")

Weight: 7.3 kg (16.1 lbs)

Version 2 with Sliding Adjustable Clamp:

1,000 x 192 x 237 mm (39.4" x 7.6" x 9.3")

Weight: 8.3 kg (18.3 lbs)

Packing Information

- Flight Case Dimensions:
- 1,209 x 665 x 695 mm (47.5" x 26.0" x 27.0")
- Weight: 139.5 kg (308.0 lbs) (Eight-pack loader case)
- Carton Dimensions:
- 1,085 x 195 x 320 mm (42.7" x 7.7" x 12.6")
- Weight: 10.5 kg (23.0 lbs) (one-pack loader carton)

Work Environment

- Maximum Ambient Temperature: 40°C
- Minimum Operating Temperature: -10°C
- Maximum Surface Temperature: 65°C
- Protection Rating: IP66

Installation

- Horizontal or vertical mounting
- Universal working position
- 2, omega brackets (optional with 2 foldable fixed clamps)
- Safety cable attachment point

Included Items

- Digital User Manual
- Power Cable (with TRUE1 type connector)
- 2 omega brackets (optional with 2 foldable fixed clamps)

Optional Accessories (with item code)

- Flight Case:
- 3205096010 (Ten-hole case)
- 3205096009 (Eight-hole case)
- Signal Line: 3-pin waterproof signal line (3017013468) or 5-pin waterproof signal line (3017013473)
- Safety Cable: 2060000200 (SW-02)
- Customized Foldable Clamps & Floor Stand w/ Omega Bracket (63582498)
- Customized Floor Stand w/ Omega Bracket (63582956)
- Customized Floor Stand w/o Omega Bracket (63582554)

1.Omega Brackets Version



Customized Floor Stand w/o Omega Bracket (63582554)



Customized Floor Stand w/ Omega Bracket (63582956)



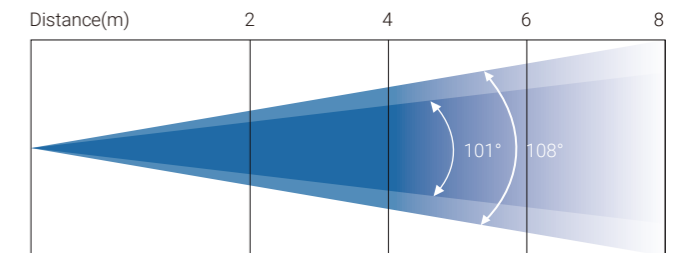
Customized Foldable Clamps & Floor Stand w Omega Bracket (63582498)

2.Sliding Adjustable Clamp Position Version



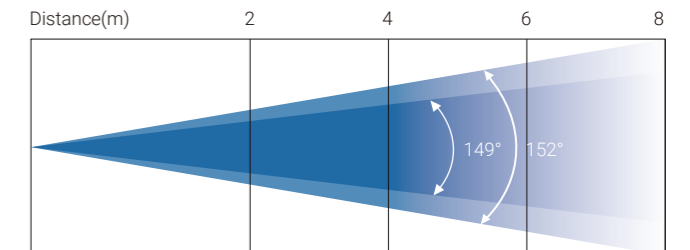
Photometric (Images)

Beam Angle:



	2	4	6	8
101° RGB Lux	1,163	291	129	73
Diameter(m)	4.8	9.7	14.5	19.4
108° CW Lux	2,919	730	324	182
Diameter(m)	5.7	11.0	16.0	21.7

Field Angle:



	2	4	6	8
149° RGB Lux	1,163	291	129	73
Diameter(m)	14.2	28.4	42.6	56.8
152° CW Lux	2,919	730	324	182
Diameter(m)	16.4	32.8	49.0	61.0



Specifications subject to change without notice. 11/15/2024