

# ARES

## XP 500 BEAM



Light Source  
**Philips MSD Platinum  
19R LL**

Total Lumen Output of Fixture:  
**9,900 lumens**

Beam Angle  
**1.3°**

Diameter of Front Lens  
**200 mm**

Acme

ARES



### Main Features

LED engine composed of Philips MSD Platinum 19R LL  
200 mm diameter front lens  
Color Temperature Output of Fixture: 6,700K

**4 Combinable Rotating and Indexable Prisms:**  
1x 8-facet circular prism, 1x 24-facet circular prism,  
1x 48-facet circular prism, 1x 6-facet linear prism,  
rotatable in both directions

Smooth dimming 0-100%  
Independent frost effect

Provide two type of soft and light beam

Outstanding strobe effect with variable speed

**1 Color Wheel:**

12 colors + CRI filter + green-minus filter, rainbow effect

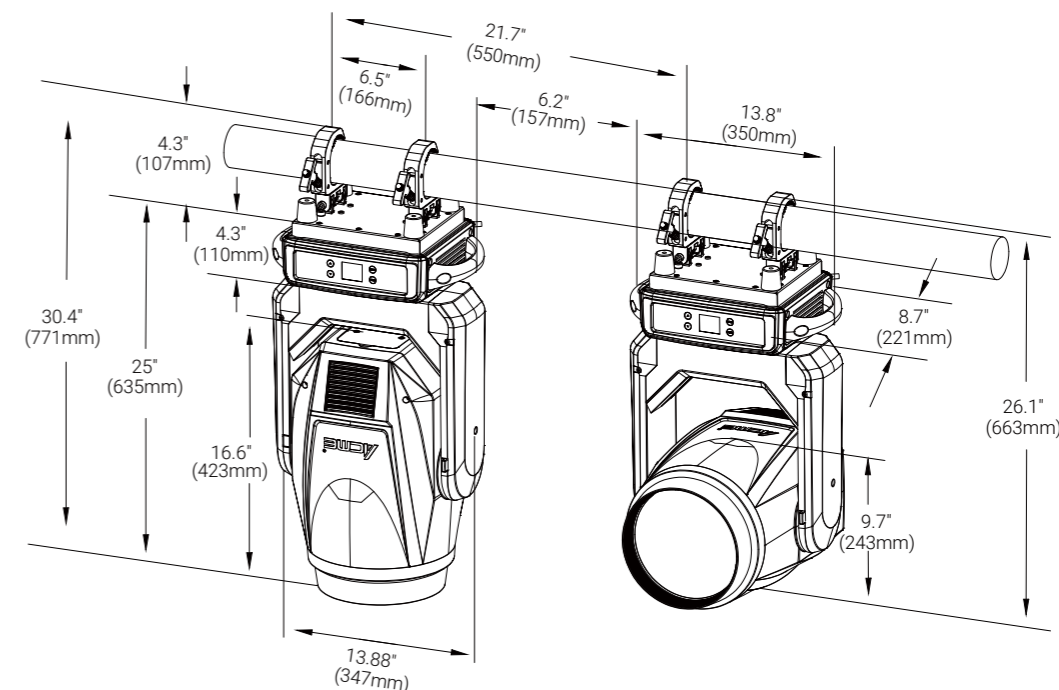
**1 Static Gobo Wheel:**

10 gobos and 3 effect gobos, plus open  
3 effect gobos, overlayable with gobos

**1 CTO**

Linear variable from 2,800K-6,700K

### Technical Specifications



### Light Source

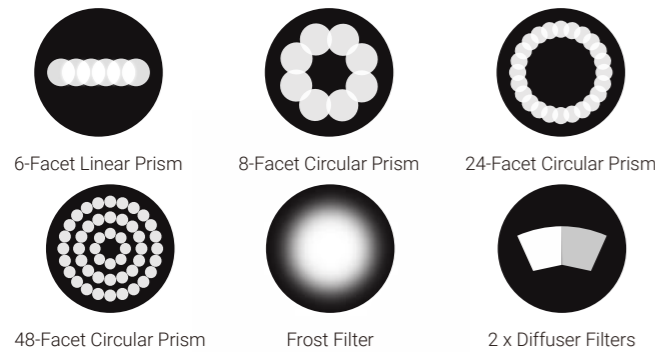
- Light Source: Philips MSD Platinum 19R LL
- Total Lumen Output of Fixture: 9,900 lumens
- Life Expectancy: 5,000 hours\*

\*Source manufacturer specification

### Optical System

- Beam Angle: 1.3°
- Diameter of Frontal Lens: 200 mm

### Prism / Frost Filter / Diffuser Filter

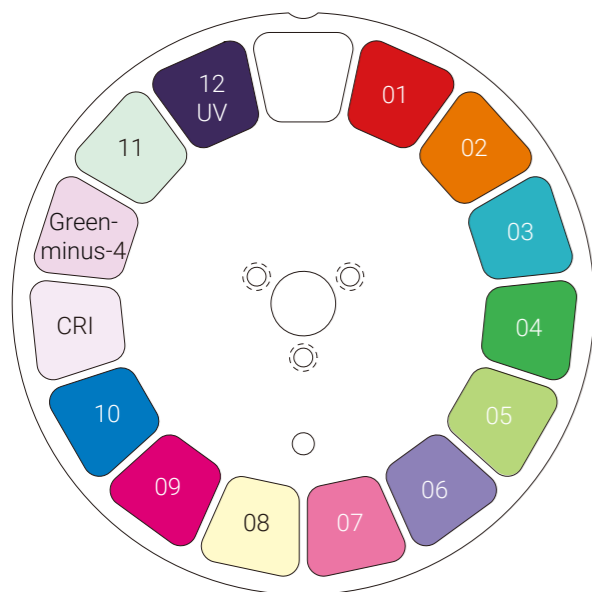


### Colors

- Linear variable from 2,800K-6,700K



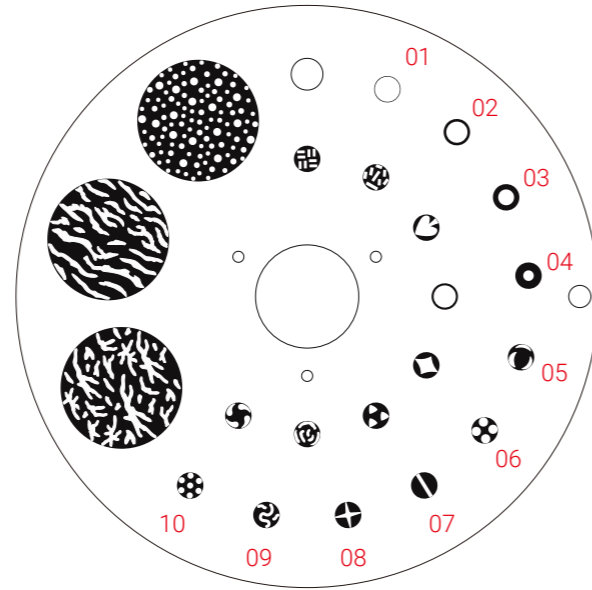
- 12 colors + CRI filter + green-minus filter, rainbow effect



Color Wheel

### Static Gobos

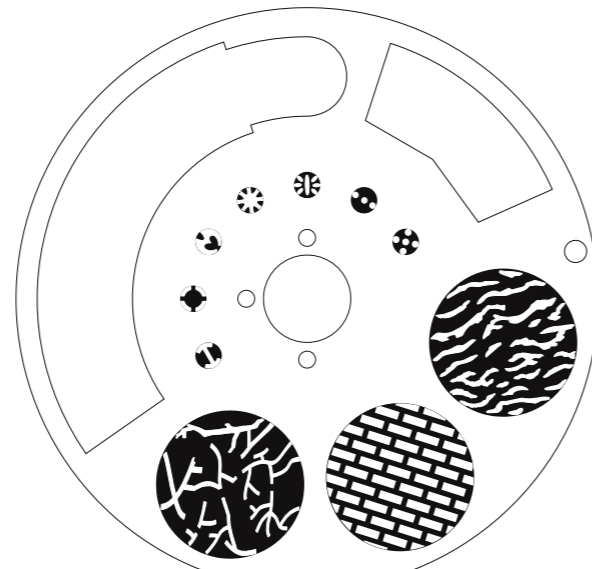
- Static Gobo Wheel:  
10 gobos and 3 effect gobos, plus open



Static Gobo Wheel

### FX Wheel

- 1 FX Wheel:  
Effect 1: 3 gobos, plus open, overlapping with static gobo wheel  
Effect 2: 2 diffuser filters can effectively improve the uniformity of the beam spot



FX Wheel

### Pan & Tilt

- Pan Movement: 540°
- Tilt Movement: 260°
- Automatic Pan/Tilt position correction
- Pan/Tilt Resolution:  
Moving-head operated with 16 bit resolution
- Fixation: Pan/Tilt lock

### Control

- 4 touch button control panel
- Display: LCD Display
- Protocols: DMX512, RDM
- DMX Protocol Modes: 2
- Control Channels: 21/17
- Firmware Upgrade: Upgrade via DMX link or USB disk

### Electrical and Connectors

- Input Voltage Range: 100-240Vac; 50/60Hz
- Power Consumption: 570W
- Power In/Out: Power connector in/out (TRUE1 type)
- Data In/Out: 3-pin or 5-pin XLR

### Physical Information

- Fixture Dimensions:  
350 x 223 x 668 mm (13.8" x 8.8" x 26.3")
- Weight: 28.0 kg (62.0 lbs)

### Packing Information

- Flight Case Dimensions:  
915 x 580 x 910 mm (36.0" x 22.8" x 35.8")
- Weight: 108.0 kg (397.0 lbs) (two-pack loader case)

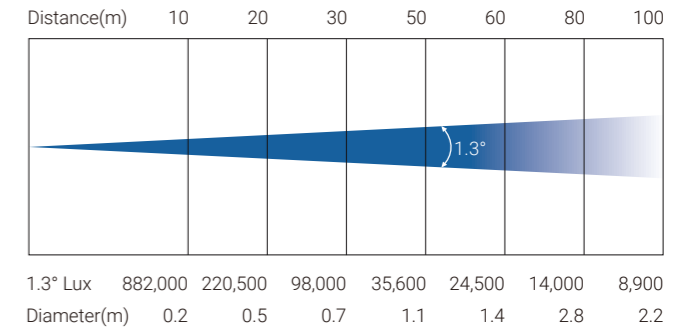
### Work Environment

- Maximum Ambient Temperature: 40°C
- Minimum Operating Temperature: 0°C
- Maximum Surface Temperature: 90°C
- Protection Rating: IP20

### Installation

- Horizontal or vertical mounting Universal working position
- 2 fixed foldable clamps for 50mm truss
- 2 pairs of locking points under the base
- Safety cable attachment point

### Photometric (Images)



Specifications subject to change without notice.  
12/04/2024