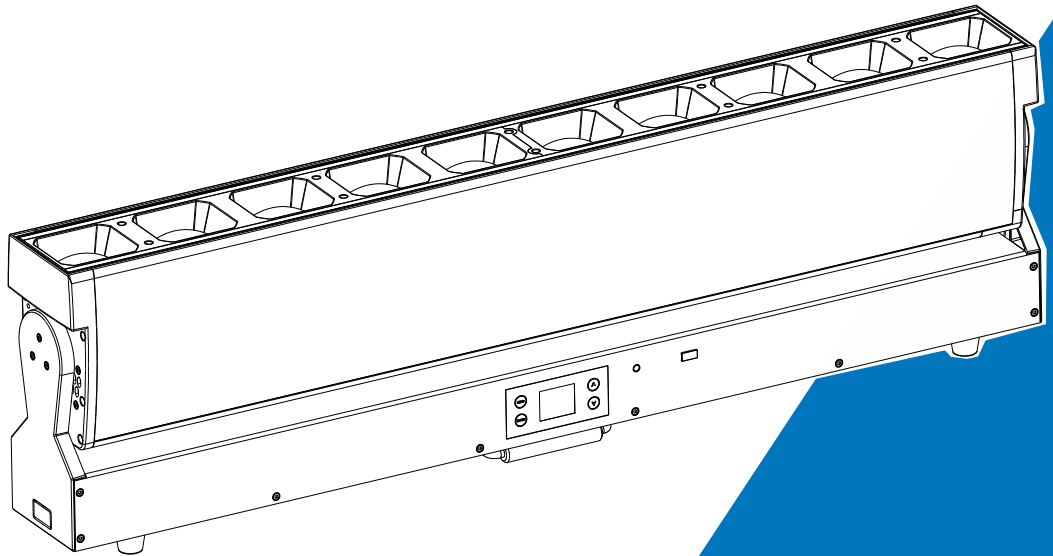




Super Dotline



User Manual

Please read the instruction carefully before use

CONTENTS

01/ Safety Information.....	2
02/ Technical Specifications	7
03/ Overview.....	9
04/ Connecting Power and Data	10
4.1 Connecting Power.....	10
4.2 Connecting Data.....	11
05/ Fixture Installation.....	12
5.1 Hanging the Fixture	13
5.2 Connecting and Aligning Multiple Fixtures.....	13
06/ Operation	16
6.1 Control Menu.....	16
6.2 Home Position Adjustment	33
07/ Configuring the Device for DMX Control.....	43
7.1 Address Setting.....	43
7.2 DMX Protocol.....	44
08/ Error Information	69
09/ Troubleshooting	72
10/ Fixture Cleaning.....	73
11/ Approvals and Certifications	74

01/ Safety Information



Please read the instruction carefully which includes important information about the installation, usage and maintenance.

WARNING

Please keep this User Manual for future consultation. If you sell the unit to another user, be sure that they also receive this instruction manual.

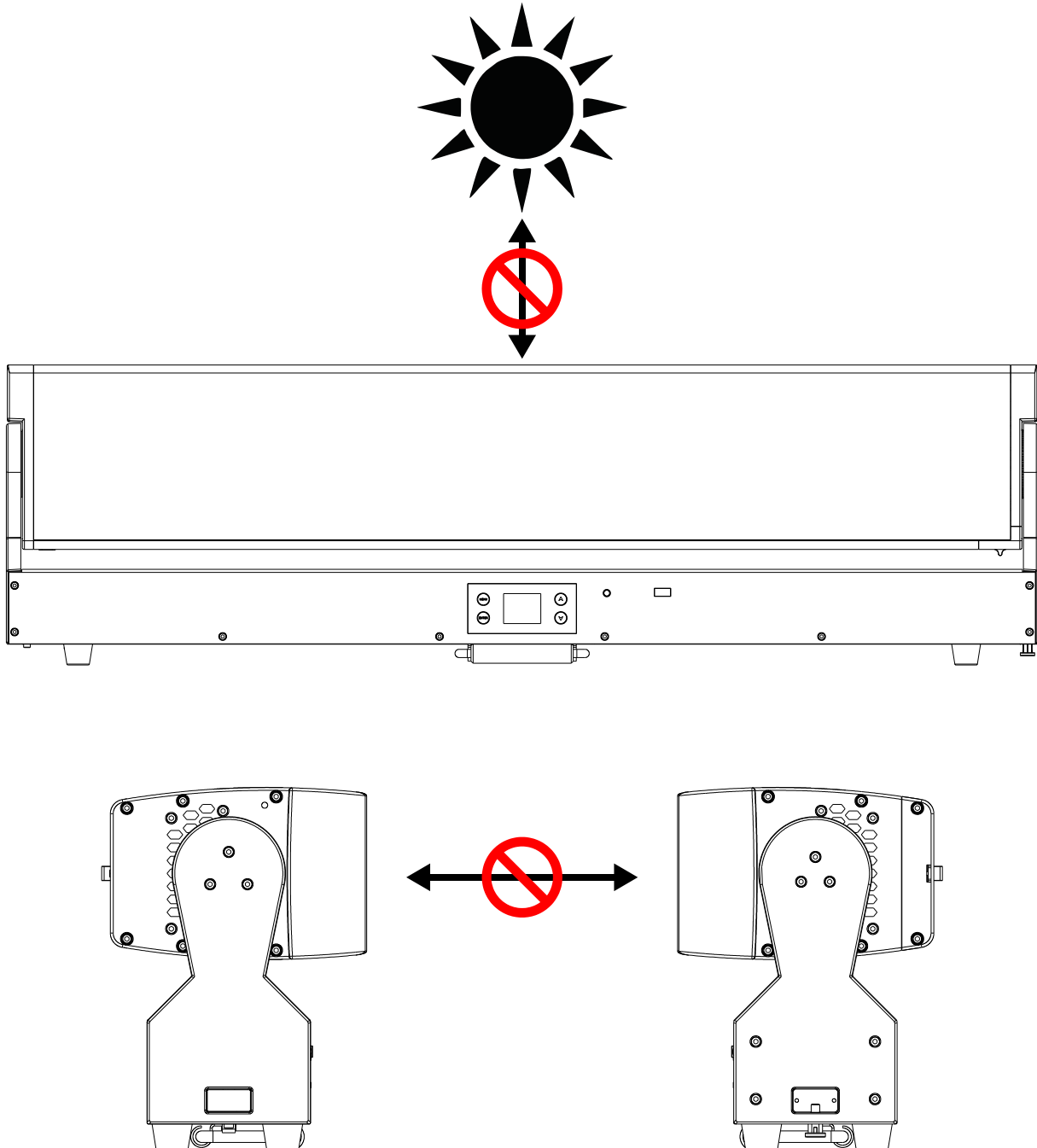
Important:

Damages caused by the disregard of this user manual are not subject to warranty. The dealer will not accept liability for any resulting defects or problems.

- Unpack and check carefully to ensure that there is no transportation damage before using the unit.
- This product is for indoor use only. Use only in a dry location.
- DO install and operate by qualified operator.
- DO NOT allow children to operate the fixture.
- Use safety chain when fixing the unit. Handle the unit by carrying its base instead of head only.
- The unit must be installed in a location with adequate ventilation, at least 50cm from adjacent surfaces.
- Be sure that no ventilation slots is blocked, otherwise the unit will be overheated.
- Before operation, ensure that you are connecting this product to the proper voltage in accordance with the specifications in this manual or on the product's specification label.
- It's important to ground the yellow/green conductor to earth in order to avoid electric shock.
- Minimum ambient temperature TA: 0°C. Maximum ambient temperature TA: 40°C. Do not operate this product at a lower or higher temperature.
- DO NOT connect the device to any dimmer pack.
- Keep flammable materials away from the fixture while operating to avoid fire hazard.
- Make sure the power cord is not crimped or damaged; replace it immediately if damaged.
- Unit's surface temperature may reach up to 75°C. DO NOT touch the housing bare-handed during its operation.

- Avoid any flammable liquids, water or metal from entering the unit. Once it happens, cut off the mains power immediately.
- DO NOT operate in a dirty or dusty environment. DO clean the fixture regularly.
- DO NOT touch any wire during operation as there might be a hazard of electric shock.
- Avoid entanglement of the power cord with other wires.
- The minimum distance to objects/surface must be more than 0.5 meters.
- Disconnect mains power before fuse replacement or servicing.
- Replace fuse only with the same type.
- In the event of serious operating problem, stop using the unit immediately.
- Never turn on and off the unit time after time.
- The housing, the lenses, or the ultraviolet filter must be replaced if they are visibly damaged.
- DO NOT open the housing as there are no user serviceable parts inside.
- DO NOT attempt to operate this unit if it becomes damaged. DO NOT attempt any repairs yourself. Repairs carried out by unskilled people can lead to damage or malfunction. Please contact the nearest authorized technical assistance center if needed.
- Disconnect this product from its power source before servicing.
- DO use the original packaging if the device is to be transported.
- Avoid direct eye exposure to the light source while the product is on.
- DO NOT operate this product if you see damage on the housing, shields, or cables. Have the damaged parts replaced by an authorized technician at once.

- External sources of light beams from direct sunlight or any other strong light source, which penetrate the front lens of lighting fixtures, can cause severe internal damage. DO NOT expose the fixture front lens to light beams from direct sunlight or any other strong light source from any angle while unpacking, installation, use, and extended idle times outdoors. DO NOT focus a light beam from one lighting fixture directly towards another.



01/ Informations de sécurité



AVERTISSEMENT

Veillez lire attentivement les instructions, car elles contiennent des informations importantes concernant l'installation, l'utilisation et la maintenance.

Veillez conserver ce manuel d'utilisation pour consultation future. Si vous vendez l'appareil à un autre utilisateur, assurez-vous qu'il reçoive également ce manuel d'instructions.

Important:

Les dommages causés par le non-respect de ce manuel d'utilisation ne sont pas couverts par la garantie. Le revendeur n'acceptera aucune responsabilité pour les défauts ou problèmes qui en résulteraient.

- Déballer et vérifier soigneusement qu'il n'y a pas de dommages dus au transport avant d'utiliser l'appareil.
- Ce produit est destiné à une utilisation en intérieur uniquement. Utilisez-le uniquement dans un endroit sec.
- FAIRE installer et utiliser par un opérateur qualifié.
- NE PAS laisser les enfants manipuler l'appareil.
- Utiliser une chaîne de sécurité lors de la fixation de l'appareil. Manipuler l'appareil en portant sa base et non uniquement par la tête.
- L'appareil doit être installé dans un endroit bien ventilé, à au moins 50 cm des surfaces adjacentes.
- Assurez-vous qu'aucune fente de ventilation n'est obstruée, sinon l'appareil surchauffera.
- Avant utilisation, assurez-vous de connecter ce produit à la tension appropriée conformément aux spécifications de ce manuel ou à l'étiquette des spécifications du produit.
- Il est important de mettre le conducteur jaune/vert à la terre pour éviter tout risque de choc électrique.
- Température ambiante minimale (TA): 0°C. Température ambiante maximale (TA): 40°C. Ne pas utiliser ce produit à une température inférieure ou supérieure.
- NE PAS connecter l'appareil à un gradateur (dimmer pack).
- Éloigner les matériaux inflammables de l'appareil pendant son fonctionnement pour éviter tout risque d'incendie.

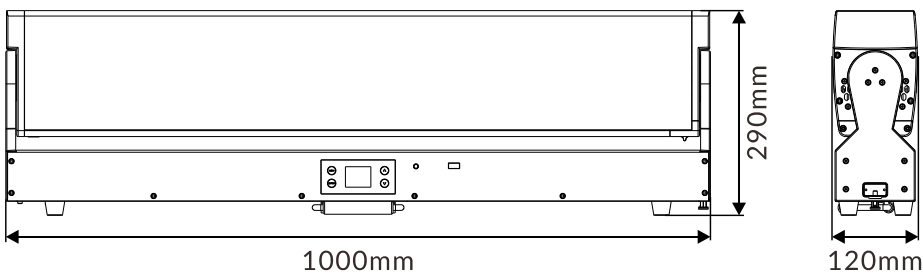
- Vérifier que le cordon d'alimentation n'est ni écrasé ni endommagé; le remplacer immédiatement s'il est endommagé.
- La température de surface de l'appareil peut atteindre jusqu'à 75°C. NE PAS toucher le boîtier à mains nues pendant son fonctionnement.
- Évitez que des liquides inflammables, de l'eau ou des objets métalliques ne pénètrent dans l'appareil. Si cela se produit, coupez immédiatement l'alimentation électrique.
- NE PAS utiliser l'appareil dans un environnement sale ou poussiéreux. Nettoyez régulièrement l'appareil.
- NE PAS toucher de fils pendant le fonctionnement, car cela pourrait présenter un risque de choc électrique.
- Évitez que le cordon d'alimentation ne s'emmêle avec d'autres fils.
- La distance minimale par rapport aux objets/surfaces doit être de plus de 0.5 mètres.
- Débranchez l'alimentation électrique avant de remplacer le fusible ou d'effectuer toute maintenance.
- Remplacez le fusible uniquement par un modèle de même type.
- En cas de problème de fonctionnement grave, cessez immédiatement d'utiliser l'appareil.
- Ne jamais allumer et éteindre l'appareil à plusieurs reprises.
- Le boîtier, les lentilles ou le filtre ultraviolet doivent être remplacés s'ils sont visiblement endommagés.
- NE PAS ouvrir le boîtier, car il ne contient aucune pièce pouvant être réparée par l'utilisateur.
- NE PAS tenter d'utiliser cet appareil s'il est endommagé. NE PAS tenter de réparations vous-même. Les réparations effectuées par des personnes non qualifiées peuvent entraîner des dommages ou un dysfonctionnement. Veuillez contacter le centre d'assistance technique agréé le plus proche si nécessaire.
- Débranchez l'appareil de sa source d'alimentation avant toute maintenance.
- UTILISEZ l'emballage d'origine si l'appareil doit être transporté.
- Évitez une exposition directe des yeux à la source lumineuse lorsque l'appareil est allumé.
- NE PAS utiliser ce produit si vous constatez des dommages sur le boîtier, les protections ou les câbles. Faites remplacer les pièces endommagées par un technicien agréé immédiatement.

- Les sources externes de rayons lumineux, comme la lumière directe du soleil ou toute autre source lumineuse intense, qui pénètrent à travers la lentille frontale des appareils d'éclairage, peuvent causer des dommages internes graves. NE PAS exposer la lentille frontale de l'appareil à des rayons lumineux provenant de la lumière directe du soleil ou de toute autre source lumineuse intense, sous quelque angle que ce soit, lors du déballage, de l'installation, de l'utilisation ou de périodes d'inactivité prolongées à l'extérieur. NE PAS diriger un faisceau lumineux d'un appareil d'éclairage directement vers un autre.

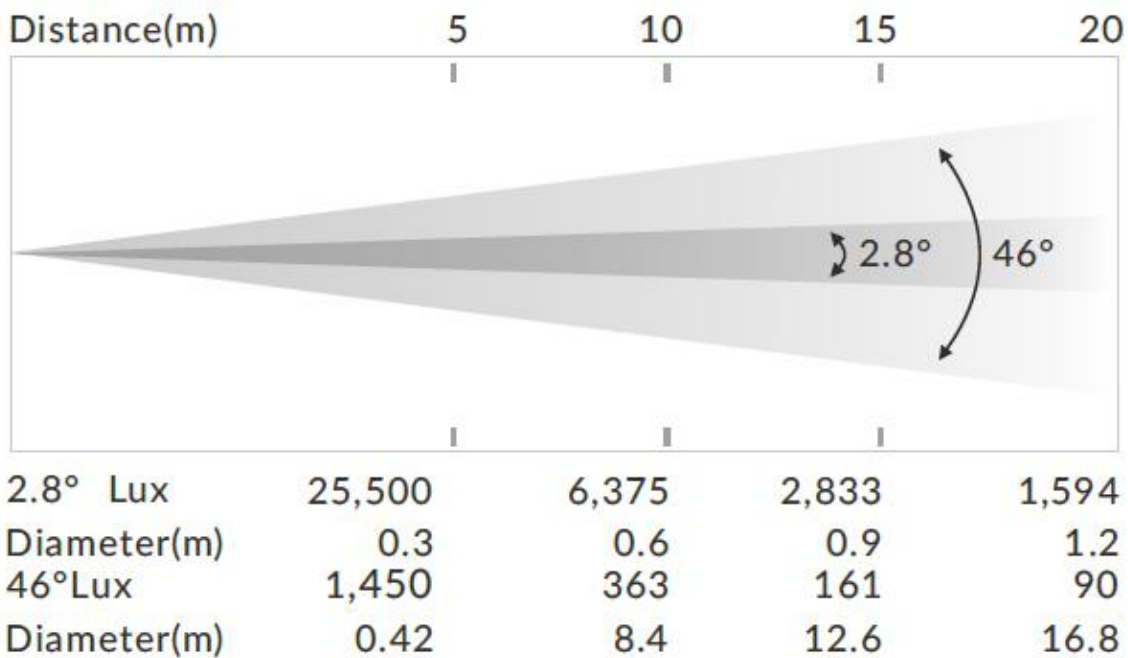
02/ Technical Specifications

AC Power	100-240Vac; 50/60Hz	
Max. Power Consumption	1205W	
Light Source	12x60W RGBW LED	
	96x3W CW LED	
	96x3W WW LED	
	96x0.5W RGB LED	
Beam Angle	2.8°-31°	
Field Angle	5°-46°	
Tilt Movement	202°	
Control and Programming	DMX Channels	17/27/99/108/168/8+100/8+160/21
	Protocols	DMX512
		RDM
		Art-Net
		sACN
Firmware Update	via DMX or USB memory device	
Construction	Display	LCD display
	Battery backup for user setup without mains connection	
	DMX and RDM Data In/Out	5-pin XLR (optional with 3-pin XLR)
		RJ45 Connectors
	Power In/Out	Power Connector in/out
Protection Rating	IP20	

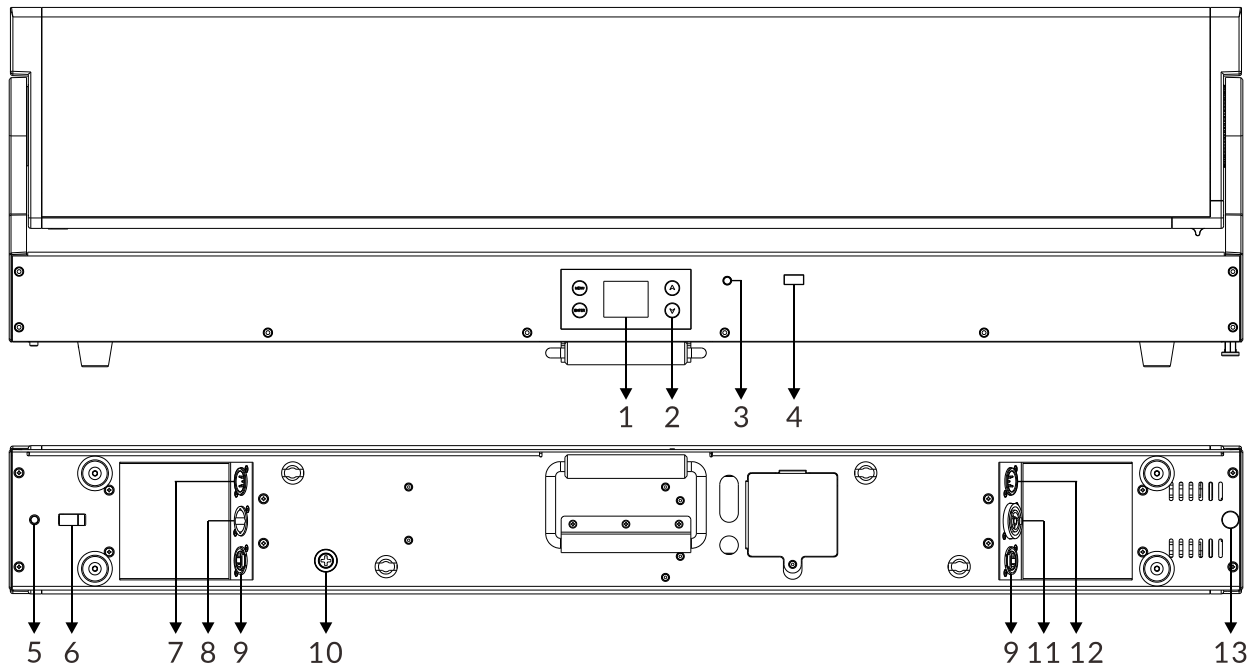
Dynamic Effects	0-100% continuous dimming and strobe effects	
	Choice of four dimming curves	
	Motorized zoom	
	Variable color temperature control	
	Outstanding color mixing	
Included Items	Power Cable	
	Two omega brackets with 1/4-turn fasteners	
	User Manual (this document)	
Dimensions	1000x120x290mm	39.4"x4.7"x11.4"
Weight	24 kg	52.9 lbs



Photometric Diagram:



03/ Overview



1. Display	To show the various menus and the selected function	
2. Buttons	MENU	To enter into move backward or leave the menu
	▲ UP	To go backward to move up in the menu
	▼ DOWN	To go forward to move down in the menu
	ENTER	To perform the desired functions
3. OFFLINE SETTING		
4. FIRMWARE UPGRADE	Used to upgrade fixture's firmware	
5. RESET BUTTON	Used to reset the lock catch	
6. LOCK CATCH	Used for connecting other fixtures	
7. DMX IN	For DMX512 link, use 5-pin XLR cable to link the unit and DMX controller to input DMX signal (optional with 3-pin XLR)	
8. POWER IN	To connect to supply power	
9. ETHERNET	Transfers fixture's information to a main controller	
10. FUSE(T 15A)	Protects the unit from damage of over current or short circuit	
11. POWER OUT	To connect to the next fixture	
12. DMX OUT	For DMX512 link, use 5-pin XLR cable to link the next units to output DMX signal (optional with 3-pin XLR)	
13. BOLT	Used to lock two fixtures	

04/ Connecting Power and Data

4.1 Connecting Power

To apply power, first check that the head tilt lock is released.

This fixture can operate on any 100-240Vac; 50/60Hz AC mains power supply.

The maximum power consumption is 1205W.

The fixture must be grounded/earthed and able to be isolated from AC power. The AC power supply must incorporate a fuse or circuit breaker for fault protection.

Wiring and connection work must be carried out by a qualified electrician.

The power cable color coding is given in the figure below:

Wire	Color (US)	Wire	Color (EU)	Symbol	Conductor
	black		brown	L	live
	white		blue	N	neutral
	green		yellow/green	\perp or \oplus	ground (earth)

Power cord set should be used: Listed SJT flexible cord with rating: 300V, 105°C, 16AWGx3C, molded with 5-15P attachment plug and terminated with cord connector model SAC3FX with rating 250V, 16A by Ningbo Seetronic Electronic Technology Co Ltd. The power cord shall be at least 914mm (It is to be measured from the face of attachment plug to the face of connector).

CAUTION!

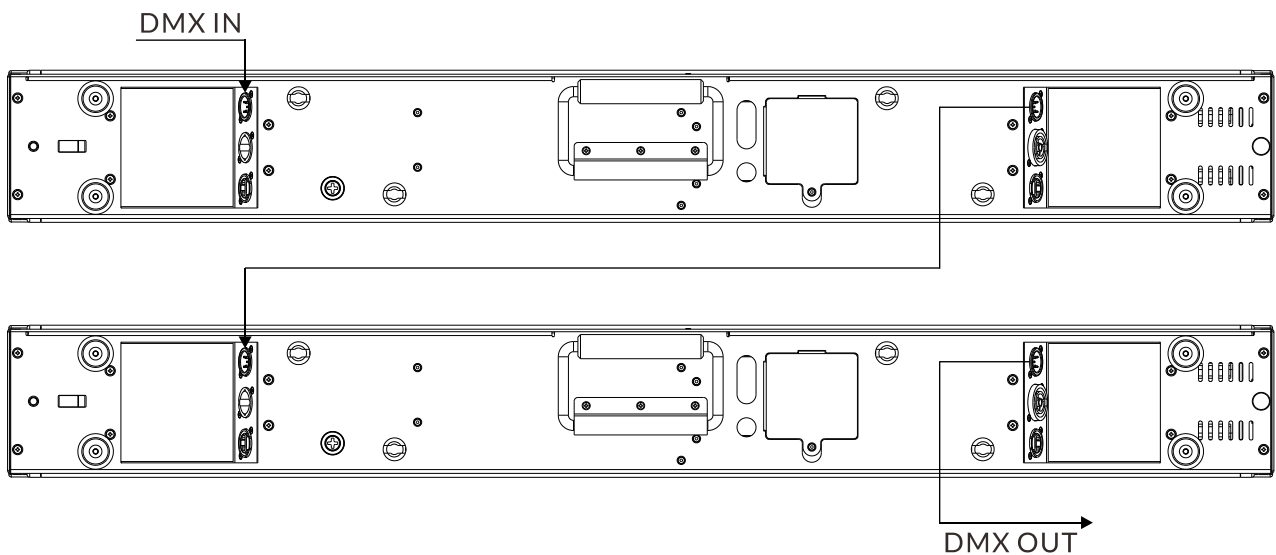
DO NOT CONNECT THE FIXTURE TO AN ELECTRICAL DIMMER SYSTEM AS DOING SO MAY CAUSE DAMAGE.

4.2 Connecting Data

The fixture is equipped with 5-pin (or 3-pin) XLR sockets for DMX input and output. Use a high-quality DMX cable designed for RS-485 and 5-pin (or 3-pin) XLR-plugs and connectors in order to connect the controller with the fixture or one fixture with another.

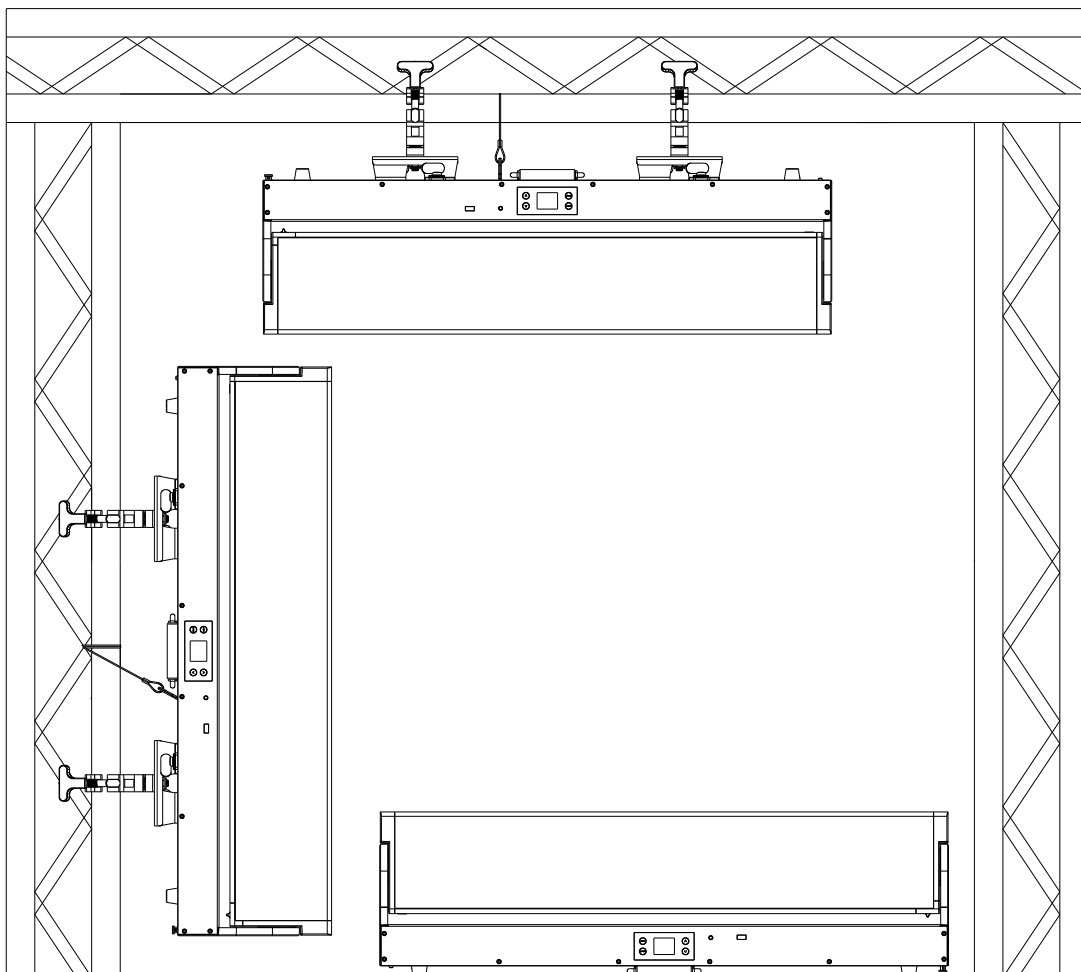
Building a serial DMX chain:

Connect the DMX data output from the controller to the fixture's data input socket. Connect the DMX output of the first fixture in the DMX chain with the DMX input of the next fixture. Always connect one output with the input of the next fixture until all fixtures are connected. Up to 32 fixtures can be connected to the same DMX link. Terminate the DMX out cable of the last fixture in the data link with a 120 ohm DMX terminator.

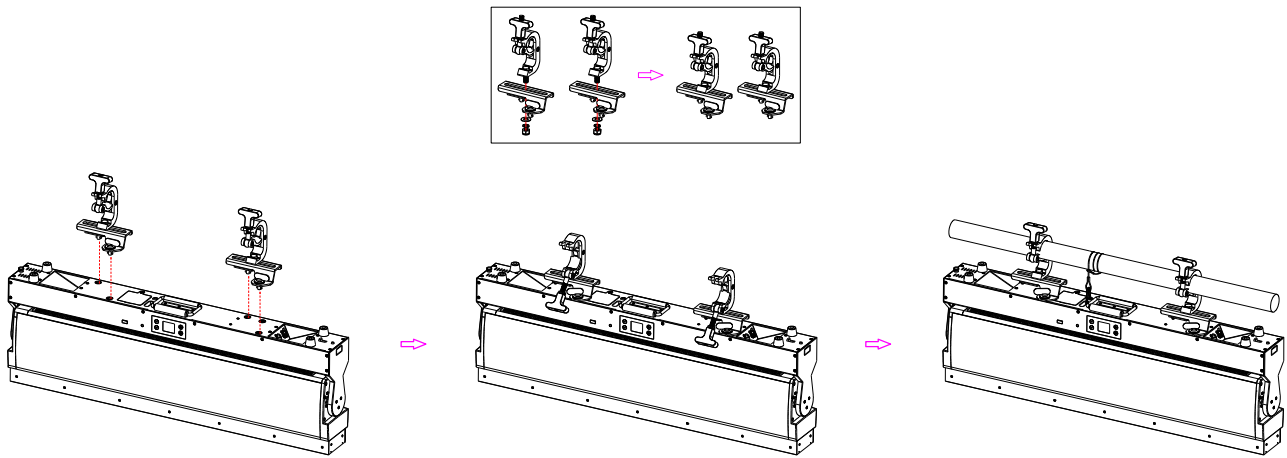


05/ Fixture Installation

- ▶ DO install and operate by qualified operator. Fixture(s) should be installed in areas outside walking paths, seating areas, or away from areas where unauthorized personnel might reach the fixture by hand. NEVER stand directly below the fixture(s) when rigging, removing or servicing.
- ▶ Always ensure that the unit is firmly fixed to avoid vibration and slipping off during operation. Ensure that the trussing or area of installation must be able to hold 10 times the weight without any deformation. Always attach a safety cable that can hold at least 12 times the weight of the fixture whenever installing this fixture in a suspended environment to ensure that the fixture will not fall if the clamp fails.
- ▶ This fixture is fully operational in three different mounting positions: hanging upside-down, mounted sideways on trussing, or standing on the floor. Always use and install a safety cable as a safety measure to prevent accidental damage and/or injury in the event the clamp fails.

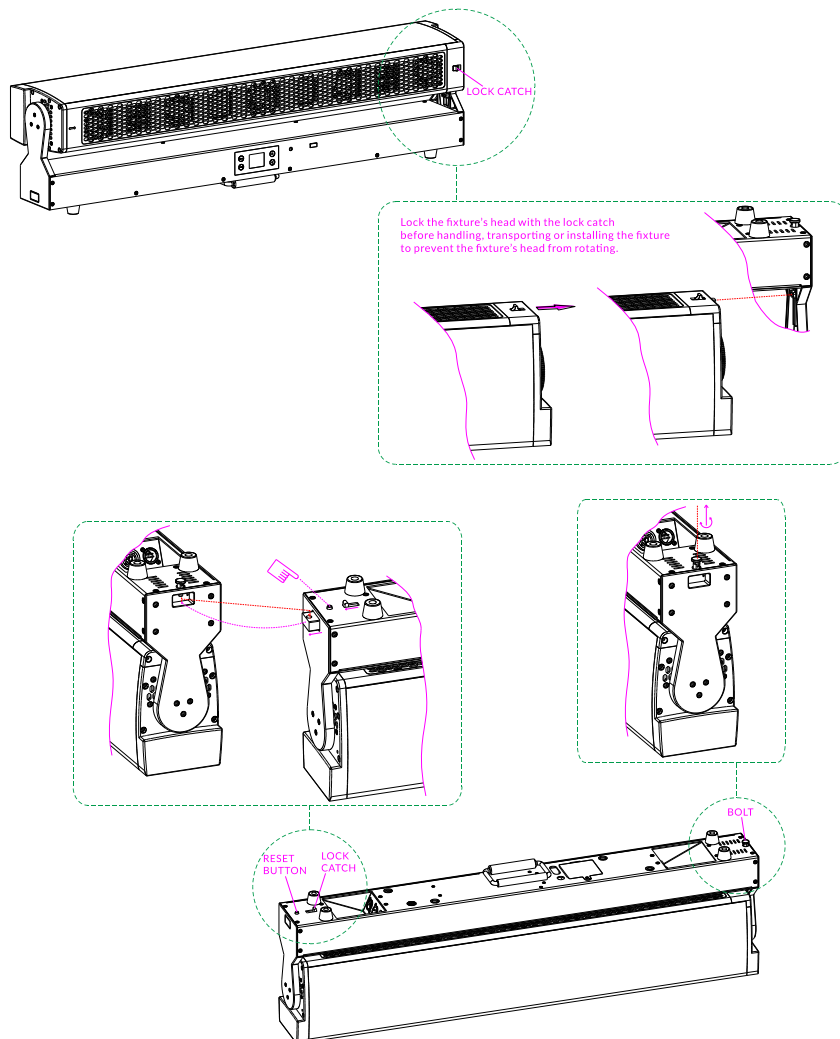


5.1 Hanging the Fixture



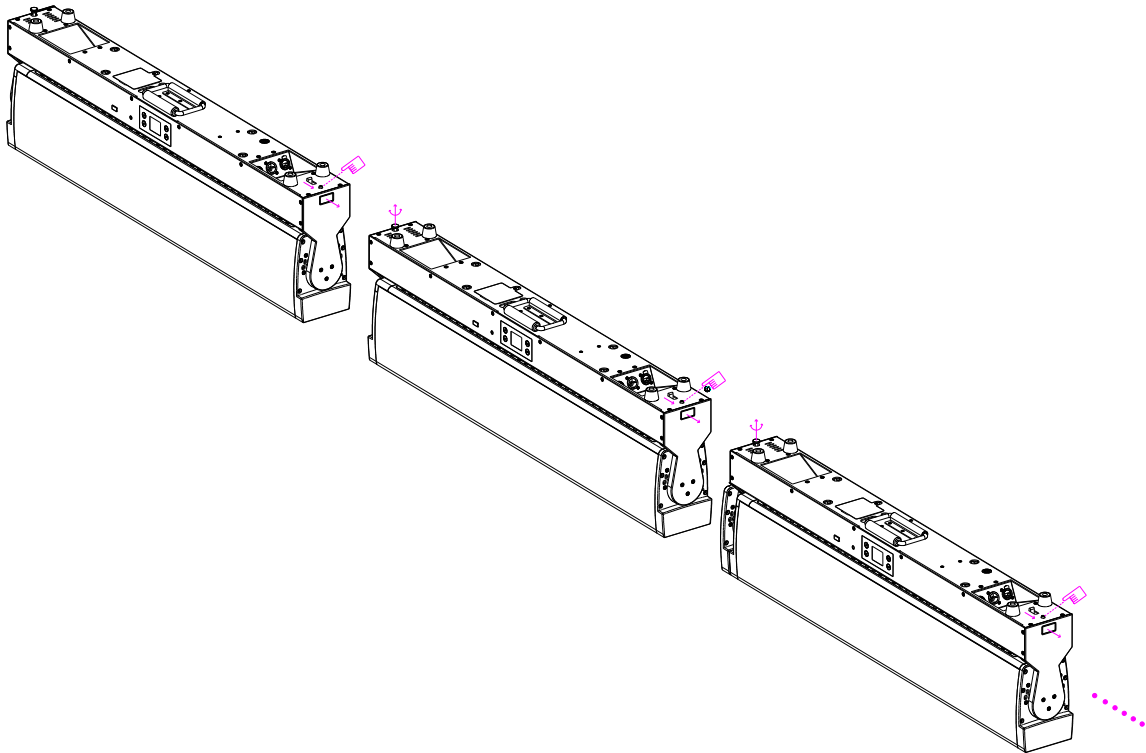
5.2 Connecting and Aligning Multiple Fixtures

Introduction:

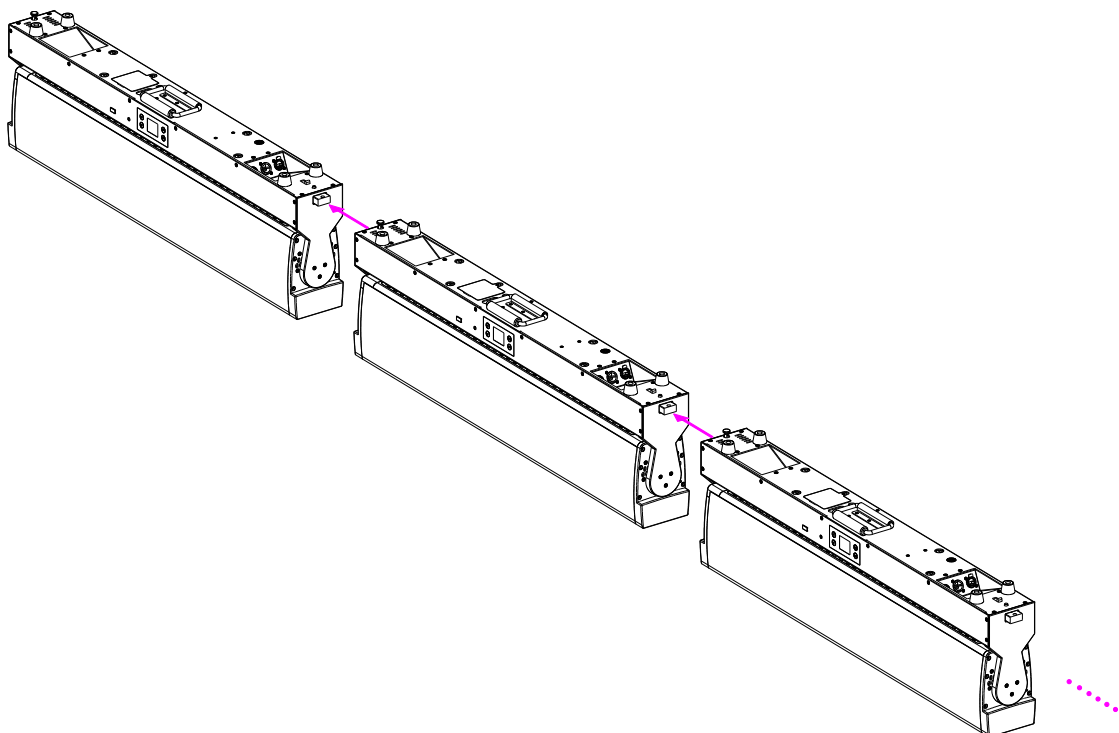


Steps for connecting and aligning multiple fixtures:

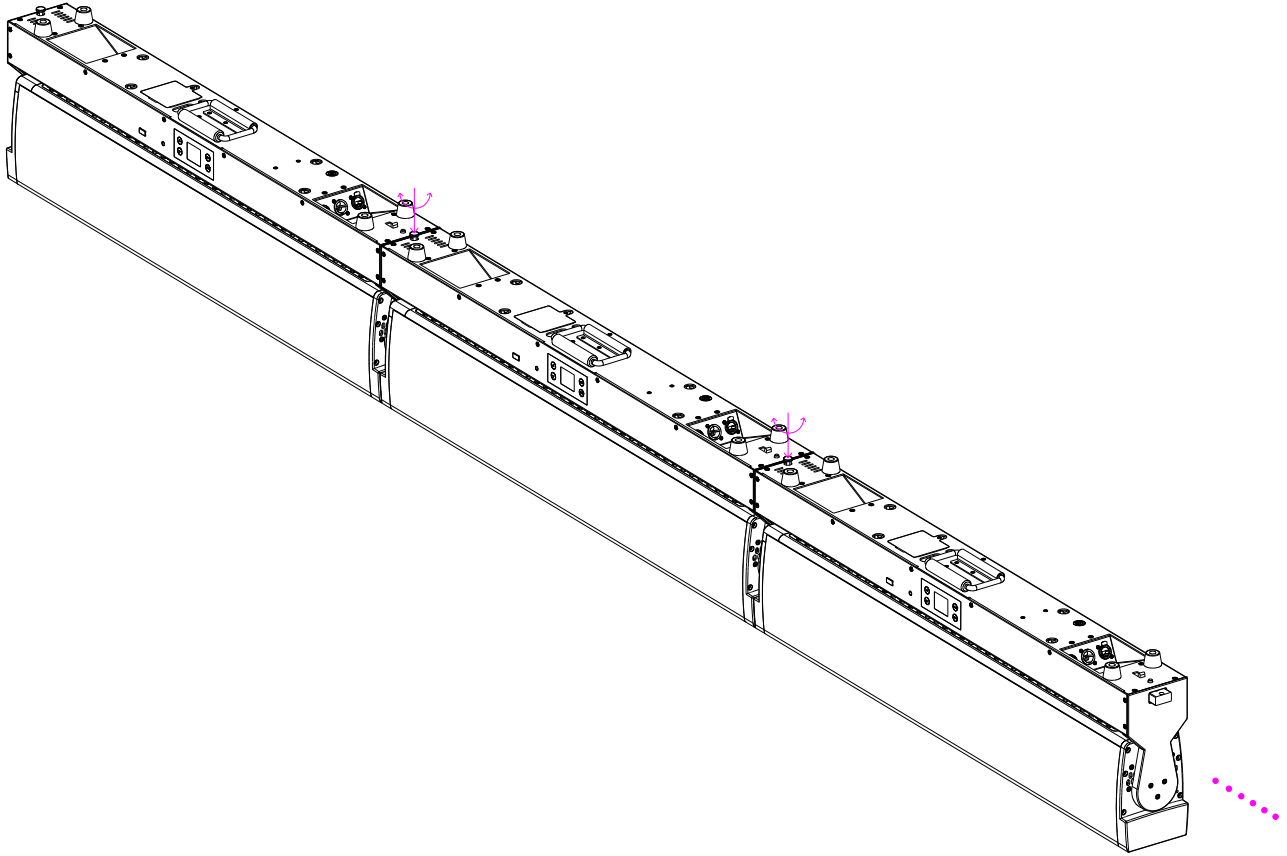
Press the reset button and the lock catch will pop up automatically. Lift the bolt up and rotate it for a certain angle (10°-170°), then release your hand.



Align and splice the second fixture to the first one, and splice the remaining fixtures in sequence.



Align the upper positioning point with the lower one, then let go after rotating the bolt for a certain angle, and the bolt will be automatically inserted into the positioning point to lock the two fixtures.



Note: When separating the fixtures, first lift the bolt upward and rotate it for a certain angle (10° - 170°), then release your hand. Press the reset button, and at the same time pull the lock catch to the extreme edge in the opposite direction, and then release the reset button to unlock the machine. Finally, remove the fixture from above or below.

06/ Operation

6.1 Control Menu

- ▶ To access the control menus, press the [MENU] button.
- ▶ Navigate the menu structure, using the [ENTER], [▲ UP] and [▼ DOWN] buttons.
- ▶ To select a menu option or to confirm a selection, press the [ENTER] button.
- ▶ To return to a higher level in the menu structure without making a change, press the [MENU] button, or wait 30 seconds.

The main functions are shown below:

MAIN MENU	SUBMENU	CHOICES/VALUES	
DMX Settings	Port A Address	1-496 (17 CH)	(Default=1)
		1-486 (27 CH)	
		1-414 (99 CH)	
		1-405 (108 CH)	
		1-345 (168 CH)	
		1-505 (8+100 CH)	
		1-505 (8+160 CH)	
		1-492 (21 CH)	
	Port B Address	1-413 (8+100 CH)	(Default=1)
		1-353 (8+160 CH)	
	DMX Channel Mode	17 CH	
		27 CH	
		99 CH	
		108 CH	
		168 CH	
		8+100 CH	
		8+160 CH	
		21 CH	
	No DMX Status	Blackout	
		Hold	
Manual			
View DMX Value			
Connect Option	Auto		
	DMX		
	Art-Net		
	sACN		

MAIN MENU	SUBMENU	CHOICES/VALUES		
	Network	IP Address	Default 1:002.xxx.xxx.xxx	
			Default 2:010.xxx.xxx.xxx	
			Manual:xxx.xxx.xxx.xxx	
		Subnet Mask	xxx.xxx.xxx.xxx	
	Art-Net Settings	Net	0-127	(Default=0)
		Sub-Net	0-15	(Default=0)
		Universe A	0-15	(Default=0)
		Universe B	0-15	(Default=0)
	sACN Settings	sACN Universe	1-32000	(Default=1)
		sACN Priority	0-200	(Default=100)
	Network to DMX	No		
Yes				
Fixture Settings	Tilt Invert	No		
		Yes		
	Tilt Feedback	No		
		Yes		
	Dimmer Curve	Linear		
		Square Law		
		Inv SQ Law		
		S Curve		
	Dimmer Speed	Fast		
		Smooth		
	White Balance	Red	125-255	
		Green	125-255	
		Blue	125-255	
		Red 1	125-255	
		Green 1	125-255	
		Blue 1	125-255	
		
		Red 12	125-255	
		Green 12	125-255	
		Blue 12	125-255	
	LED Refresh Rate	900Hz		
1000Hz				
1100Hz				
1200Hz				
1300Hz				
1400Hz				

MAIN MENU	SUBMENU	CHOICES/VALUES			
		1500Hz			
		2500Hz			
		4000Hz			
		5000Hz			
		6000Hz			
		10000Hz			
		15000Hz			
		20000Hz			
		25000Hz			
	Invert Pixel Order	No			
		Yes			
	Power Mode	Standard			
		Quiet			
	CCT Calibration	Off			
On					
Line Power Mode	Off				
	On				
Dimming Start Mode	High				
	Low				
Display Settings	Display Invert	No			
		Yes			
	Backlight Intensity	1-10	(Default=10)		
	Temperature Unit	°C			
		°F			
Language	English				
	Chinese				
Fixture Test	Auto Test	Single			
		Cycle			
	Manual Test	Mode 1		Mode 2	
		Clear	No/Yes	Clear	No/Yes
		Tilt	0-255	Tilt	0-255
		Zoom	0-255	Zoom	0-255
		Dimmer	0-255	Dimmer	0-255
		Strobe Main	0-255	Strobe Main	0-255
		Strobe Line W	0-255	Strobe Line W	0-255
		Stro Line RGB	0-255	Stro Line RGB	0-255

MAIN MENU	SUBMENU	CHOICES/VALUES			
		Red 1	0-255	Red	0-255
		Green 1	0-255	Green	0-255
		Blue 1	0-255	Blue	0-255
		White 1	0-255	White	0-255
		0-255	RGBW CCT	0-255
		Red 10	0-255	RGBW Color	0-255
		Green 10	0-255	RGBW Macro	0-255
		Blue 10	0-255	RGBW Macro Sp	0-255
		White 10	0-255	Pixel CW	0-255
		Pixel CW 1	0-255	Pixel WW	0-255
		Pixel WW 1	0-255	Line W CCT	0-255
		0-255	Line W Macro	0-255
		Pixel CW 24	0-255	Line W Macro Sp	0-255
		Pixel WW 24	0-255	Pixel Red	0-255
		Pixel Red 1	0-255	Pixel Green	0-255
		Pixel Green 1	0-255	Pixel Blue	0-255
		Pixel Blue 1	0-255	Line RGB Color	0-255
		0-255	Line RGB Macro	0-255
		Pixel Red 24	0-255	Line RGB Mac. Sp	0-255
		Pixel Green 24	0-255	Two Red All	0-255
		Pixel Blue 24	0-255	Two Green All	0-255
		Red 11	0-255	Two Blue All	0-255
		Green 11	0-255	Two White All	0-255
		Blue 11	0-255		
		White 11	0-255		
		Red 12	0-255		

MAIN MENU	SUBMENU	CHOICES/VALUES		
		Green 12	0-255	
		Blue 12	0-255	
		White 12	0-255	
Fixture Information	Fixture Use Hour			
	LED Use Hour	Total LED Hour		
		LED On Hour		
		LED Hours Reset	Password=050	
	Temperature		Current	Max
		LED 1		
		LED 2		
		LED 3		
	Fan State	Base Fan		
		Head Fan 1		
		Head Fan 2		
		Head Fan 3		
		Head Fan 4		
		Head Fan 5		
	Upgrade File			
	Firmware Version			
	RDM UID			
Error Logs	Fixture Errors			
	Reset Error Logs	No		
		Yes	Password=050	
Reset Function	Tilt Reset	No		
		Yes		
	Effect Reset	No		
		Yes		
	All Reset	No		
		Yes		
Special Function	Factory Settings	No		
		Yes		

DMX Settings

Enter the control menu and select **DMX Settings**, press ENTER. Use the UP/DOWN button to select **Port A Address**, **Port B Address**, **DMX Channel Mode**, **No DMX Status**, **View DMX Value**, **Connect Option**, **Network**, **Art-Net Settings**, **sACN Settings** or **Network to DMX**.

Port A Address

Select **Port A Address**, press ENTER.

Use UP/DOWN button to select an address, confirm your selection with ENTER.

CHANNEL MODE	DMX ADDRESS
17 CH	1-496
27 CH	1-486
99 CH	1-414
108 CH	1-405
168 CH	1-345
8+100 CH	1-505
8+160 CH	1-505
21 CH	1-492

To exit the menu, press MENU, or wait 30 seconds.

Port B Address

Select **Port B Address**, press ENTER.

Use UP/DOWN button to select an address, confirm your selection with ENTER.

CHANNEL MODE	DMX ADDRESS
8+100 CH	1-413
8+160 CH	1-353

To exit the menu, press MENU, or wait 30 seconds.

DMX Channel Mode

Select **DMX Channel Mode**, press ENTER.

Use UP/DOWN button to select between **17 CH, 27 CH, 99 CH, 108 CH, 168 CH, 8+100 CH, 8+160 CH** and **21 CH**, confirm your selection with ENTER.

To exit the menu, press MENU, or wait 30 seconds.

No DMX Status

Select **No DMX Status**, press ENTER.

Use UP/DOWN button to select one of the following status:

Blackout (Fixture blacks out if DMX signal stops)

Hold (The device continues to operate in the current mode with the last active DMX values until the signal returns)

Manual (The device accepts the DMX value stored in the 'Manual Test' menu)

Confirm your selection with ENTER.

To exit the menu, press MENU, or wait 30 seconds.

View DMX Value

Select **View DMX Value**, press ENTER.

Use UP/DOWN button to select the desired DMX channel, for which the value is to be displayed.

To exit the menu, press MENU, or wait 30 seconds.

Connect Option

Select **Connect Option**, press ENTER.

Use UP/DOWN button to select **Auto, DMX, Art-Net** or **sACN**, confirm your selection with ENTER.

To exit the menu, press MENU, or wait 30 seconds.

Network

Select **Network**, press ENTER.

Use UP/DOWN button to select **IP Address** or **Subnet Mask**, confirm your selection with ENTER.

To exit the menu, press MENU, or wait 30 seconds.

Art-Net Settings

Select **Art-Net Settings**, press ENTER.

Use UP/DOWN button to select **Net**, **Sub-Net**, **Universe A** or **Universe B**, confirm your selection with ENTER.

To exit the menu, press MENU, or wait 30 seconds.

sACN Settings

Select **sACN Settings**, press ENTER.

Use UP/DOWN button to select **sACN Universe** or **sACN Priority**, confirm your selection with ENTER.

To exit the menu, press MENU, or wait 30 seconds.

Network to DMX

Select **Network to DMX**, press ENTER.

Use UP/DOWN button to select **No** or **Yes**, confirm your selection with ENTER.

To exit the menu, press MENU, or wait 30 seconds.

Fixture Settings

Enter the control menu and select **Fixture Settings**, press ENTER. Use the UP/DOWN button to select **Tilt Invert**, **Tilt Feedback**, **Dimmer Curve**, **Dimmer Speed**, **White Balance**, **LED Refresh Rate**, **Invert Pixel Order**, **Power Mode**, **CCT Calibration**, **Line Power Mode** or **Dimming Start Mode**.

Tilt Invert

Select **Tilt Invert**, press ENTER.

Use UP/DOWN button to select **No** (tilt invert deactivated) or **Yes** (tilt invert activated), confirm your selection with ENTER.

To exit the menu, press MENU, or wait 30 seconds.

Tilt Feedback

Select **Tilt Feedback**, press ENTER.

Use UP/DOWN button to select **No** (tilt feedback deactivated) or **Yes** (tilt feedback activated), confirm your selection with ENTER.

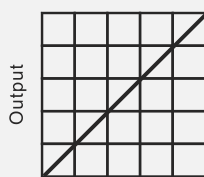
To exit the menu, press MENU, or wait 30 seconds.

Dimmer Curve

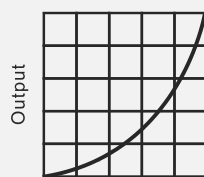
Select **Dimmer Curve**, press ENTER.

Use UP/DOWN button to select **Linear**, **Square Law**, **Inv SQ Law** or **S Curve**, confirm your selection with ENTER.

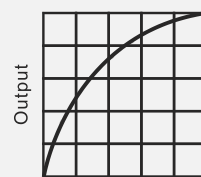
Dimmer Modes



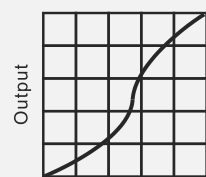
Optically Linear



Square Law



Inverse Square Law



S-curve

To exit the menu, press MENU, or wait 30 seconds.

Dimmer Speed

Select **Dimmer Speed**, press ENTER.

Use UP/DOWN button to select **Fast** or **Smooth**, confirm your selection with ENTER.

To exit the menu, press MENU, or wait 30 seconds.

White Balance

Select **White Balance**, press ENTER.

Use UP/DOWN button to select **Red, Green, Blue, Red1, Green1, Blue1.....** or **Red12, Green12, Blue12**, confirm your selection with ENTER.

Use UP/DOWN button to select a value between **125** and **255**, confirm your selection with ENTER.

To exit the menu, press MENU, or wait 30 seconds.

LED Refresh Rate

Select **LED Refresh Rate**, press ENTER.

Use UP/DOWN button to select **900Hz, 1000Hz, 1100Hz, 1200Hz, 1300Hz, 1400Hz, 1500Hz, 2500Hz, 4000Hz, 5000Hz, 6000Hz, 10000Hz, 15000Hz, 20000Hz** or **25000Hz**, confirm your selection with ENTER.

To exit the menu, press MENU, or wait 30 seconds.

Invert Pixel Order

Select **Invert Pixel Order**, press ENTER.

Use UP/DOWN button to select **No** or **Yes**, confirm your selection with ENTER.

To exit the menu, press MENU, or wait 30 seconds.

Power Mode

Select **Power Mode**, press ENTER.

Use UP/DOWN button to select **Standard** or **Quiet**, confirm your selection with ENTER.

To exit the menu, press MENU, or wait 30 seconds.

CCT Calibration

Select **CCT Calibration**, press ENTER.

Use UP/DOWN button to select **Off** or **On**, confirm your selection with ENTER.

To exit the menu, press MENU, or wait 30 seconds.

Line Power Mode

Select **Line Power Mode**, press ENTER.

Use UP/DOWN button to select **Off** or **On**, confirm your selection with ENTER.

To exit the menu, press MENU, or wait 30 seconds.

Dimming Start Mode

Select **Dimming Start Mode**, press ENTER.

Use UP/DOWN button to select **High** (high dimming start) or **Low** (low dimming start), confirm your selection with ENTER.

To exit the menu, press MENU, or wait 30 seconds.

Display Settings

Enter the control menu and select **Display Settings**, press ENTER. Use the UP/DOWN button to select **Display Invert**, **Backlight Intensity**, **Temperature Unit** or **Language**.

Display Invert

Select **Display Invert**, press ENTER.

Use UP/DOWN button to select **No** (display normal) or **Yes** (display inverted), confirm your selection with ENTER.

To exit the menu, press MENU, or wait 30 seconds.

Backlight Intensity

Select **Backlight Intensity**, press ENTER.

Use UP/DOWN button to select a value between **1** (dark) and **10** (bright), confirm your selection with ENTER.

To exit the menu, press MENU, or wait 30 seconds.

Temperature Unit

Select **Temperature Unit**, press ENTER.

Use UP/DOWN button to select °C or °F, confirm your selection with ENTER.

To exit the menu, press MENU, or wait 30 seconds.

Language

Select **Language**, press ENTER.

Use UP/DOWN button to select **English** or **Chinese**, confirm your selection with ENTER.

To exit the menu, press MENU, or wait 30 seconds.

Fixture Test

Enter the control menu and select **Fixture Test**, press ENTER. Use the UP/DOWN button to select **Auto Test** or **Manual Test**.

Auto Test

Select **Auto Test**, press ENTER.

Use UP/DOWN button to select **Single** (the device immediately performs a single automatic self-test) or **Cycle** (the device immediately performs a cyclic automatic self-test), confirm your selection with ENTER.

To exit the menu, press MENU.

Manual Test

Select **Manual Test**, press ENTER.

Use UP/DOWN button to select the channel for which the manual test is to be performed, confirm your selection with ENTER.

Use UP/DOWN button to select a value, confirm your selection with ENTER.

To exit the menu, press MENU.

(The device returns to its original DMX state after the manual test. The test values are saved automatically when the device is switched off.)

Fixture Information

Enter the control menu and select **Fixture Information**, press ENTER. Use the UP/DOWN button to select **Fixture Use Hour**, **LED Use Hour**, **Temperature**, **Fan State**, **Upgrade File**, **Firmware Version**, **RDM UID** or **Error Logs**.

Fixture Use Hour

Select **Fixture Use Hour**, press ENTER.
The operating hours is displayed.
To exit the menu, press MENU, or wait 30 seconds.

LED Use Hour

Select **LED Use Hour**, press ENTER.
Use UP/DOWN button to select **Total LED Hour** (total time) or **LED On Hour** (current switch-on time), confirm your selection with ENTER.
The total time or current switch-on time is displayed.
Use UP/DOWN button to select **LED Hours Reset**, confirm your selection with ENTER.
Use UP/DOWN button to set the password 050, confirm your selection with ENTER. The LED operating hours is reset.
To exit the menu, press MENU, or wait 30 seconds.

Temperature

Select **Temperature**, press ENTER.
The device temperature is displayed.
To exit the menu, press MENU, or wait 30 seconds.

Fan State

Select **Fan State**, press ENTER.
The fan status is displayed.
To exit the menu, press MENU, or wait 30 seconds.

Upgrade File

Select **Upgrade File**, press ENTER.

The upgrade file is displayed.

To exit the menu, press MENU, or wait 30 seconds.

Firmware Version

Select **Firmware Version**, press ENTER.

The firmware version is displayed.

To exit the menu, press MENU, or wait 30 seconds.

RDM UID

Select **RDM UID**, press ENTER.

The RDM UID is displayed.

To exit the menu, press MENU, or wait 30 seconds.

Error Logs

Select **Error Logs**, press ENTER.

Use UP/DOWN button to select **Fixture Errors**, confirm your selection with ENTER.

The error list is displayed.

Use UP/DOWN button to select **Reset Error Log**, confirm your selection with ENTER.

If you wish to reset the relevant error logs, select **Yes**. If you do not wish to reset anything, select **No**. Confirm your selection with ENTER.

If you select **Yes**, use UP/DOWN button to set the password 050, confirm your selection with ENTER. The relevant error logs are reset.

To exit the menu, press MENU, or wait 30 seconds.

Reset Function

Enter the control menu and select **Reset Function**, press ENTER. Use the UP/DOWN button to select **Tilt Reset**, **Effect Reset** or **All Reset**.

Tilt Reset

Select **Tilt Reset**, press ENTER.

Use UP/DOWN button to select **No** or **Yes** (the device will run built-in program to reset tilt to its home positions), confirm your selection with ENTER.

To exit the menu, press MENU, or wait 30 seconds.

Effect Reset

Select **Effect Reset**, press ENTER.

Use UP/DOWN button to select **No** or **Yes** (the device will run built-in program to reset effect to their home positions), confirm your selection with ENTER.

To exit the menu, press MENU, or wait 30 seconds.

All Reset

Select **All Reset**, press ENTER.

Use UP/DOWN button to select **No** or **Yes** (the device will run built-in program to reset all to their home positions), confirm your selection with ENTER.

To exit the menu, press MENU, or wait 30 seconds.

Special Function

Enter the control menu and select **Special Function**, press ENTER. Use the UP/DOWN button to select **Factory Settings**.

Factory Settings

Select **Factory Settings**, press ENTER.

If you wish to reset the device to the factory settings, select **Yes**. If you do not wish to reset anything, select **No**. Confirm your selection with ENTER.

To exit the menu, press MENU, or wait 30 seconds.

RDM functions: Certain menus of the device and functions can be called up via the RDM protocol.

The parameter IDs are implemented as follows for different commands:

Parameter ID	Command 'Discovery'	Command 'Set'	Command 'Get'
DISC_UNIQUE_BRANCH	√		
DISC_MUTE	√		
DISC_UN_MUTE	√		
DEVICE_INFO			√
SUPPORTED_PARAMETERS			√
SOFTWARE_VERSION_LABEL			√
DMX_START_ADDRESS		√	√
IDENTIFY_DEVICE		√	√
DEVICE_MODEL_DESCRIPTION			√
PARAMETER_DESCRIPTION			√
MANUFACTURER_LABEL			√
DEVICE_LABEL		√	√
FACTORY_DEFAULTS		√	√
BOOT_SOFTWARE_VERSION_ID			√
BOOT_SOFTWARE_VERSION_LABEL			√
DMX_PERSONALITY		√	√
DMX_PERSONALITY_DESCRIPTION			√
SLOT_INFO			√
SLOT_DESCRIPTION			√
SENSOR_DEFINITION			√
SENSOR_VALUE			√
DEVICE_HOURS			√
LAMP_HOURS			√
TILT_INVERT		√	√
RESET_DEVICE		√	
CURVE		√	√
DMX_STATE		√	√
DIMMER_SPEED		√	√

√ -Command implemented for the respective parameter ID

6.2 Home Position Adjustment

- ▶ To access the control menus, press the [MENU] button.
- ▶ To access the offset menus, long-press the [ENTER] button.
- ▶ Navigate the offset menus, using the [ENTER], [▲ UP] and [▼ DOWN] buttons.
- ▶ To select a menu option or to confirm a selection, press the [ENTER] button.
- ▶ To return to a higher level in the menu structure without making a change, press the [MENU] button, or wait 30 seconds.

OFFSET MENU	VALUES
Frequency	1072~1327
Tilt	-128~127
Zoom	-128~127
Red	-2000~2000
Green	-2000~2000
Blue	-2000~2000
White	-2000~2000
Pixel Red	-2000~2000
Pixel Green	-2000~2000
Pixel Blue	-2000~2000
Pixel CW	-2000~2000
Pixel WW	-2000~2000
Red 1	-2000~2000
Green 1	-2000~2000
Blue 1	-2000~2000
White 1	-2000~2000
.....
Red 10	-2000~2000
Green 10	-2000~2000
Blue 10	-2000~2000
White 10	-2000~2000
Pixel Red 1	-2000~2000
Pixel Green 1	-2000~2000
Pixel Blue 1	-2000~2000
.....

Pixel Red 24	-2000~2000
Pixel Green 24	-2000~2000
Pixel Blue 24	-2000~2000
Pixel CW 1	-2000~2000
Pixel WW 1	-2000~2000
.....
Pixel CW 24	-2000~2000
Pixel WW 24	-2000~2000
Red 11	-2000~2000
Green 11	-2000~2000
Blue 11	-2000~2000
White 11	-2000~2000
Red 12	-2000~2000
Green 12	-2000~2000
Blue 12	-2000~2000
White 12	-2000~2000

Frequency

Select **Frequency**, press ENTER.

Use UP/DOWN button to select a value, confirm your selection with ENTER.

To exit the offset menu, press MENU, or wait 30 seconds.

Frequency	VALUES
900Hz	772~1027
1000Hz	872~1127
1100Hz	972~1227
1200Hz	1072~1327
1300Hz	1172~1427
1400Hz	1272~1527
1500Hz	1372~1627
2500Hz	2372~2627
4000Hz	3872~4127
5000Hz	4872~5127
6000Hz	5872~6127
10000Hz	9872~10127
15000Hz	14872~15127
20000Hz	19872~20127
25000Hz	24872~25127

Tilt

Select **Tilt**, press ENTER.

Use UP/DOWN button to select a value between -128 and 127, confirm your selection with ENTER.

To exit the offset menu, press MENU, or wait 30 seconds.

Zoom

Select **Zoom**, press ENTER.

Use UP/DOWN button to select a value between -128 and 127, confirm your selection with ENTER.

To exit the offset menu, press MENU, or wait 30 seconds.

Red

Select **Red**, press ENTER.

Use UP/DOWN button to select a value between -2000 and 2000, confirm your selection with ENTER.

To exit the offset menu, press MENU, or wait 30 seconds.

Green

Select **Green**, press ENTER.

Use UP/DOWN button to select a value between -2000 and 2000, confirm your selection with ENTER.

To exit the offset menu, press MENU, or wait 30 seconds.

Blue

Select **Blue**, press ENTER.

Use UP/DOWN button to select a value between -2000 and 2000, confirm your selection with ENTER.

To exit the offset menu, press MENU, or wait 30 seconds.

White

Select **White**, press ENTER.

Use UP/DOWN button to select a value between -2000 and 2000, confirm your selection with ENTER.

To exit the offset menu, press MENU, or wait 30 seconds.

Pixel Red

Select **Pixel Red**, press ENTER.

Use UP/DOWN button to select a value between -2000 and 2000, confirm your selection with ENTER.

To exit the offset menu, press MENU, or wait 30 seconds.

Pixel Green

Select **Pixel Green**, press ENTER.

Use UP/DOWN button to select a value between -2000 and 2000, confirm your selection with ENTER.

To exit the offset menu, press MENU, or wait 30 seconds.

Pixel Blue

Select **Pixel Blue**, press ENTER.

Use UP/DOWN button to select a value between -2000 and 2000, confirm your selection with ENTER.

To exit the offset menu, press MENU, or wait 30 seconds.

Pixel CW

Select **Pixel CW**, press ENTER.

Use UP/DOWN button to select a value between -2000 and 2000, confirm your selection with ENTER.

To exit the offset menu, press MENU, or wait 30 seconds.

Pixel WW

Select **Pixel WW**, press ENTER.

Use UP/DOWN button to select a value between -2000 and 2000, confirm your selection with ENTER.

To exit the offset menu, press MENU, or wait 30 seconds.

Red 1

Select **Red 1**, press ENTER.

Use UP/DOWN button to select a value between -2000 and 2000, confirm your selection with ENTER.

To exit the offset menu, press MENU, or wait 30 seconds.

Green 1

Select **Green 1**, press ENTER.

Use UP/DOWN button to select a value between -2000 and 2000, confirm your selection with ENTER.

To exit the offset menu, press MENU, or wait 30 seconds.

Blue 1

Select **Blue 1**, press ENTER.

Use UP/DOWN button to select a value between -2000 and 2000, confirm your selection with ENTER.

To exit the offset menu, press MENU, or wait 30 seconds.

White 1

Select **White 1**, press ENTER.

Use UP/DOWN button to select a value between -2000 and 2000, confirm your selection with ENTER.

To exit the offset menu, press MENU, or wait 30 seconds.

.....

Red 10

Select **Red 10**, press ENTER.

Use UP/DOWN button to select a value between -2000 and 2000, confirm your selection with ENTER.

To exit the offset menu, press MENU, or wait 30 seconds.

Green 10

Select **Green 10**, press ENTER.

Use UP/DOWN button to select a value between -2000 and 2000, confirm your selection with ENTER.

To exit the offset menu, press MENU, or wait 30 seconds.

Blue 10

Select **Blue 10**, press ENTER.

Use UP/DOWN button to select a value between -2000 and 2000, confirm your selection with ENTER.

To exit the offset menu, press MENU, or wait 30 seconds.

White 10

Select **White 10**, press ENTER.

Use UP/DOWN button to select a value between -2000 and 2000, confirm your selection with ENTER.

To exit the offset menu, press MENU, or wait 30 seconds.

Pixel Red 1

Select **Pixel Red 1**, press ENTER.

Use UP/DOWN button to select a value between -2000 and 2000, confirm your selection with ENTER.

To exit the offset menu, press MENU, or wait 30 seconds.

Pixel Green 1

Select **Pixel Green 1**, press ENTER.

Use UP/DOWN button to select a value between -2000 and 2000, confirm your selection with ENTER.

To exit the offset menu, press MENU, or wait 30 seconds.

Pixel Blue 1

Select **Pixel Blue 1**, press ENTER.

Use UP/DOWN button to select a value between -2000 and 2000, confirm your selection with ENTER.

To exit the offset menu, press MENU, or wait 30 seconds.

.....

Pixel Red 24

Select **Pixel Red 24**, press ENTER.

Use UP/DOWN button to select a value between -2000 and 2000, confirm your selection with ENTER.

To exit the offset menu, press MENU, or wait 30 seconds.

Pixel Green 24

Select **Pixel Green 24**, press ENTER.

Use UP/DOWN button to select a value between -2000 and 2000, confirm your selection with ENTER.

To exit the offset menu, press MENU, or wait 30 seconds.

Pixel Blue 24

Select **Pixel Blue 24**, press ENTER.

Use UP/DOWN button to select a value between -2000 and 2000, confirm your selection with ENTER.

To exit the offset menu, press MENU, or wait 30 seconds.

Pixel CW 1

Select **Pixel CW 1**, press ENTER.

Use UP/DOWN button to select a value between -2000 and 2000, confirm your selection with ENTER.

To exit the offset menu, press MENU, or wait 30 seconds.

Pixel WW 1

Select **Pixel WW 1**, press ENTER.

Use UP/DOWN button to select a value between -2000 and 2000, confirm your selection with ENTER.

To exit the offset menu, press MENU, or wait 30 seconds.

.....

Pixel CW 24

Select **Pixel CW 24**, press ENTER.

Use UP/DOWN button to select a value between -2000 and 2000, confirm your selection with ENTER.

To exit the offset menu, press MENU, or wait 30 seconds.

Pixel WW 24

Select **Pixel WW 24**, press ENTER.

Use UP/DOWN button to select a value between -2000 and 2000, confirm your selection with ENTER.

To exit the offset menu, press MENU, or wait 30 seconds.

Red 11

Select **Red 11**, press ENTER.

Use UP/DOWN button to select a value between -2000 and 2000, confirm your selection with ENTER.

To exit the offset menu, press MENU, or wait 30 seconds.

Green 11

Select **Green 11**, press ENTER.

Use UP/DOWN button to select a value between -2000 and 2000, confirm your selection with ENTER.

To exit the offset menu, press MENU, or wait 30 seconds.

Blue 11

Select **Blue 11**, press ENTER.

Use UP/DOWN button to select a value between -2000 and 2000, confirm your selection with ENTER.

To exit the offset menu, press MENU, or wait 30 seconds.

White 11

Select **White 11**, press ENTER.

Use UP/DOWN button to select a value between -2000 and 2000, confirm your selection with ENTER.

To exit the offset menu, press MENU, or wait 30 seconds.

Red 12

Select **Red 12**, press ENTER.

Use UP/DOWN button to select a value between -2000 and 2000, confirm your selection with ENTER.

To exit the offset menu, press MENU, or wait 30 seconds.

Green 12

Select **Green 12**, press ENTER.

Use UP/DOWN button to select a value between -2000 and 2000, confirm your selection with ENTER.

To exit the offset menu, press MENU, or wait 30 seconds.

Blue 12

Select **Blue 12**, press ENTER.

Use UP/DOWN button to select a value between -2000 and 2000, confirm your selection with ENTER.

To exit the offset menu, press MENU, or wait 30 seconds.

White 12

Select **White 12**, press ENTER.

Use UP/DOWN button to select a value between -2000 and 2000, confirm your selection with ENTER.

To exit the offset menu, press MENU, or wait 30 seconds.

07/ Configuring the Device for DMX Control

7.1 Address Setting

All fixtures should be given a DMX starting address when operating with a DMX controller, in order to ensure that the correct fixture responds to the correct control signal. Incorrect settings will result in unpredictable responses from the lighting controller.

You can set the same starting address for all fixtures or a group of fixtures, or set different addresses for each individual fixture.

Setting all fixtures to the same DMX address will cause all fixtures to react in the same way. In this case, please note that changing the settings of one channel will affect all the fixtures simultaneously.

If you set each fixture to a different DMX address, each unit will “listen” starting at the channel number you have set, based on the quantity of DMX channels of each fixture. That means changing the settings of one channel will only affect the selected fixture.

For example, if the first fixture is set to 17 ch DMX mode with a start DMX address of 1, the following fixture in the DMX chain should then be set to a DMX address of 18. As the first fixture uses all the first 17 DMX channels, the next available channel is 18 ($17+1=18 \gg 18$).

See the chart below for more details:

Channel Mode	Unit 1 Address	Unit 2 Address	Unit 3 Address	Unit 4 Address	Unit xxx Address
17 channels	1	18	35	52
27 channels	1	28	55	82
99 channels	1	100	199	298
108 channels	1	109	217	325
168 channels	1	169	337	505
8+100 channels (Controlled by DMX)	1	9	17	25
8+100 channels (Controlled by Art-Net)	1	101	201	301
8+160 channels (Controlled by DMX)	1	9	17	25
8+160 channels (Controlled by Art-Net)	1	161	321	481
21 channels	1	22	43	64

7.2 DMX Protocol

CHANNEL					VALUE	FUNCTION
17ch	27ch	99ch	108ch	168ch		
1	1	1	1	1	000-255	TILT 0°→202°
2	2	2	2	2	000-255	TILT FINE
3	3	3	3	3	000-255	ZOOM Wide→Narrow
4	4	4	4	4	000-255	DIMMER 0%→100%
5	5	5	5	5	000-007	MAIN STROBE Close Open Strobe from Slow to Fast Open Slow Open Fast Close from Slow to Fast Open Fast Open Slow Close from Slow to Fast Open Random Strobe from Slow to Fast Open
					008-015	
					016-131	
					132-139	
					140-181	
					182-189	
					190-231	
					232-239	
					240-247	
					248-255	
6	6	6	6	6	000-007	LINE_W STROBE Close Open Strobe from Slow to Fast Open Slow Open Fast Close from Slow to Fast Open Fast Open Slow Close from Slow to Fast Open Random Strobe from Slow to Fast Open
					008-015	
					016-131	
					132-139	
					140-181	
					182-189	
					190-231	
					232-239	
					240-247	
					248-255	
7	7	7	7	7	000-007	LINE_RGB STROBE Close Open Strobe from Slow to Fast Open Slow Open Fast Close from Slow to Fast Open Fast Open Slow Close from Slow to Fast Open Random Strobe from Slow to Fast Open
					008-015	
					016-131	
					132-139	
					140-181	
					182-189	
					190-231	
					232-239	
					240-247	
					248-255	
8	8	8	8	8	000-029	SPECIAL FUNCTION (To activate following functions, stop in DMX value for at least 3 seconds.) Null Dimmer Curve: Linear Dimmer Curve: Square Law
					030-039	
					040-049	

					050-059 060-069 070-079 080-089 090-099 100-109 110-119 120-122 123 124 125 126 127 128 129 130 131 132 133 134 135 136 137 138-139 140-149 150-159 160-169 170-179 180-189 190-199 200-209 210-219 220-229 230-239 240-249 250-251 252-253 254-255	Dimmer Curve: Inv SQ Law Dimmer Curve: S Curve Power Mode: Standard Null Power Mode: Quiet Led Frequency Setting Enable Led Frequency Setting Disable Null 900Hz 1000Hz 1100Hz 1200Hz 1300Hz 1400Hz 1500Hz 2500Hz 4000Hz 5000Hz 6000Hz 10KHz 15KHz 20KHz 25KHz Null Tilt Reset Effect Reset CCT Calibration: On CCT Calibration: Off Invert Pixel Order: No Invert Pixel Order: Yes All Reset Dimmer Speed: Fast Dimmer Speed: Smooth Line Power Mode: Off Line Power Mode: On Dimming Start Mode: High Dimming Start Mode: Low Null
9	9				000-255	MAIN RED 0%→100%
10	10				000-255	MAIN GREEN 0%→100%
11	11				000-255	MAIN BLUE 0%→100%
12	12				000-255	MAIN WHITE 0%→100%
		9	9	9	000-255	MAIN RED 1 0%→100%
		10	10	10	000-255	MAIN GREEN 1 0%→100%
		11	11	11	000-255	MAIN BLUE 1 0%→100%

		12	12	12	000-255	MAIN WHITE 1 0%→100%
		13	13	13	000-255	MAIN RED 2 0%→100%
		14	14	14	000-255	MAIN GREEN 2 0%→100%
		15	15	15	000-255	MAIN BLUE 2 0%→100%
		16	16	16	000-255	MAIN WHITE 2 0%→100%
		17	17	17	000-255	MAIN RED 3 0%→100%
		18	18	18	000-255	MAIN GREEN 3 0%→100%
		19	19	19	000-255	MAIN BLUE 3 0%→100%
		20	20	20	000-255	MAIN WHITE 3 0%→100%
		21	21	21	000-255	MAIN RED 4 0%→100%
		22	22	22	000-255	MAIN GREEN 4 0%→100%
		23	23	23	000-255	MAIN BLUE 4 0%→100%
		24	24	24	000-255	MAIN WHITE 4 0%→100%
		25	25	25	000-255	MAIN RED 5 0%→100%
		26	26	26	000-255	MAIN GREEN 5 0%→100%
		27	27	27	000-255	MAIN BLUE 5 0%→100%
		28	28	28	000-255	MAIN WHITE 5 0%→100%
		29	29	29	000-255	MAIN RED 6 0%→100%
		30	30	30	000-255	MAIN GREEN 6 0%→100%
		31	31	31	000-255	MAIN BLUE 6 0%→100%
		32	32	32	000-255	MAIN WHITE 6 0%→100%
		33	33	33	000-255	MAIN RED 7 0%→100%
		34	34	34	000-255	MAIN GREEN 7 0%→100%
		35	35	35	000-255	MAIN BLUE 7 0%→100%
		36	36	36	000-255	MAIN WHITE 7 0%→100%

		37	37	37	000-255	MAIN RED 8 0%→100%
		38	38	38	000-255	MAIN GREEN 8 0%→100%
		39	39	39	000-255	MAIN BLUE 8 0%→100%
		40	40	40	000-255	MAIN WHITE 8 0%→100%
		41	41	41	000-255	MAIN RED 9 0%→100%
		42	42	42	000-255	MAIN GREEN 9 0%→100%
		43	43	43	000-255	MAIN BLUE 9 0%→100%
		44	44	44	000-255	MAIN WHITE 9 0%→100%
		45	45	45	000-255	MAIN RED 10 0%→100%
		46	46	46	000-255	MAIN GREEN 10 0%→100%
		47	47	47	000-255	MAIN BLUE 10 0%→100%
		48	48	48	000-255	MAIN WHITE 10 0%→100%
	13				000	MAIN CCT Null
					001-004	8000K
					005-009	7900K
					010-013	7800K
					014-018	7700K
					019-022	7600K
					023-027	7500K
					028-031	7400K
					032-036	7300K
					037-040	7200K
					041-045	7100K
					046-049	7000K
					050-054	6900K
					055-058	6800K
					059-063	6700K
					064-067	6600K
					068-072	6500K
					073-076	6400K
					077-081	6300K
					082-085	6200K
				086-090	6100K	
				091-094	6000K	
				095-099	5900K	
				100-103	5800K	
				104-108	5700K	
				109-112	5600K	
				113-117	5500K	

					118-121	5400K
					122-126	5300K
					127-130	5200K
					131-135	5100K
					136-139	5000K
					140-144	4900K
					145-148	4800K
					149-153	4700K
					154-157	4600K
					158-162	4500K
					163-166	4400K
					167-171	4300K
					172-175	4200K
					176-180	4100K
					181-184	4000K
					185-189	3900K
					190-193	3800K
					194-198	3700K
					199-202	3600K
					203-207	3500K
					208-211	3400K
					212-216	3300K
					217-220	3200K
					221-225	3100K
					226-229	3000K
					230-234	2900K
					235-238	2800K
					239-243	2700K
					244-247	2600K
					248-255	2500K
						MAIN COLOR
					000-007	Null
					008-015	Color 1
					016-023	Color 2
					024-031	Color 3
					032-039	Color 4
					040-047	Color 5
					048-055	Color 6
					056-063	Color 7
					064-071	Color 8
					072-079	Color 9
					080-087	Color 10
					088-095	Color 11
					096-103	Color 12
					104-111	Color 13
					112-119	Color 14
					120-127	Color 15
					128-135	Color 16
					136-143	Color 17
					144-151	Color 18
					152-159	Color 19
					160-167	Color 20
					168-175	Color 21
					176-183	Color 22

14

					184-191 192-199 200-207 208-215 216-223 224-231 232-239 240-247 248-255	Color 23 Color 24 Color 25 Color 26 Color 27 Color 28 Color 29 Color 30 Color 31
	15				000-007 008-015 016-023 024-031 032-039 040-047 048-055 056-063 064-071 072-079 080-087 088-095 096-103 104-111 112-119 120-127 128-135 136-143 144-151 152-159 160-167 168-175 176-183 184-191 192-199 200-207 208-215 216-223 224-231 232-239 240-247 248-255	MAIN MACRO Null Built-in Effect 1 Built-in Effect 2 Built-in Effect 3 Built-in Effect 4 Built-in Effect 5 Built-in Effect 6 Built-in Effect 7 Built-in Effect 8 Built-in Effect 9 Built-in Effect 10 Built-in Effect 11 Built-in Effect 12 Built-in Effect 13 Built-in Effect 14 Built-in Effect 15 Built-in Effect 16 Built-in Effect 17 Built-in Effect 18 Built-in Effect 19 Built-in Effect 20 Built-in Effect 21 Built-in Effect 22 Built-in Effect 23 Null Null Null Null Null Null Null Null Null
	16				000-127 128-255	MAIN MACRO SPEED Slow to Fast without Fade Slow to Fast with Fade
13	17				000-255	LINE_W CW 0%→100%
14	18				000-255	LINE_W WW 0%→100%
		49	49	49	000-255	LINE_W CW 1 0%→100%
		50	50	50	000-255	LINE_W WW 1 0%→100%

		51	51	51	000-255	LINE_W CW 2 0%→100%
		52	52	52	000-255	LINE_W WW 2 0%→100%
		53	53	53	000-255	LINE_W CW 3 0%→100%
		54	54	54	000-255	LINE_W WW 3 0%→100%
		55	55	55	000-255	LINE_W CW 4 0%→100%
		56	56	56	000-255	LINE_W WW 4 0%→100%
		57	57	57	000-255	LINE_W CW 5 0%→100%
		58	58	58	000-255	LINE_W WW 5 0%→100%
		59	59	59	000-255	LINE_W CW 6 0%→100%
		60	60	60	000-255	LINE_W WW 6 0%→100%
		61	61	61	000-255	LINE_W CW 7 0%→100%
		62	62	62	000-255	LINE_W WW 7 0%→100%
		63	63	63	000-255	LINE_W CW 8 0%→100%
		64	64	64	000-255	LINE_W WW 8 0%→100%
		65	65	65	000-255	LINE_W CW 9 0%→100%
		66	66	66	000-255	LINE_W WW 9 0%→100%
		67	67	67	000-255	LINE_W CW 10 0%→100%
		68	68	68	000-255	LINE_W WW 10 0%→100%
		69	69	69	000-255	LINE_W CW 11 0%→100%
		70	70	70	000-255	LINE_W WW 11 0%→100%
		71	71	71	000-255	LINE_W CW 12 0%→100%
		72	72	72	000-255	LINE_W WW 12 0%→100%
		73		73	000-255	LINE_W CW 13 0%→100%
		74		74	000-255	LINE_W WW 13 0%→100%
		75		75	000-255	LINE_W CW 14 0%→100%

		76		76	000-255	LINE_W WW 14 0%→100%
		77		77	000-255	LINE_W CW 15 0%→100%
		78		78	000-255	LINE_W WW 15 0%→100%
		79		79	000-255	LINE_W CW 16 0%→100%
		80		80	000-255	LINE_W WW 16 0%→100%
		81		81	000-255	LINE_W CW 17 0%→100%
		82		82	000-255	LINE_W WW 17 0%→100%
		83		83	000-255	LINE_W CW 18 0%→100%
		84		84	000-255	LINE_W WW 18 0%→100%
		85		85	000-255	LINE_W CW 19 0%→100%
		86		86	000-255	LINE_W WW 19 0%→100%
		87		87	000-255	LINE_W CW 20 0%→100%
		88		88	000-255	LINE_W WW 20 0%→100%
		89		89	000-255	LINE_W CW 21 0%→100%
		90		90	000-255	LINE_W WW 21 0%→100%
		91		91	000-255	LINE_W CW 22 0%→100%
		92		92	000-255	LINE_W WW 22 0%→100%
		93		93	000-255	LINE_W CW 23 0%→100%
		94		94	000-255	LINE_W WW 23 0%→100%
		95		95	000-255	LINE_W CW 24 0%→100%
		96		96	000-255	LINE_W WW 24 0%→100%
	19				000 001-004 005-009 010-013 014-018 019-022 023-027 028-031	LINE_W CCT Null Null Null Null Null Null Null Null

				032-036	Null
				037-040	Null
				041-045	Null
				046-049	Null
				050-054	Null
				055-058	Null
				059-063	Null
				064-067	Null
				068-072	6500K
				073-076	6400K
				077-081	6300K
				082-085	6200K
				086-090	6100K
				091-094	6000K
				095-099	5900K
				100-103	5800K
				104-108	5700K
				109-112	5600K
				113-117	5500K
				118-121	5400K
				122-126	5300K
				127-130	5200K
				131-135	5100K
				136-139	5000K
				140-144	4900K
				145-148	4800K
				149-153	4700K
				154-157	4600K
				158-162	4500K
				163-166	4400K
				167-171	4300K
				172-175	4200K
				176-180	4100K
				181-184	4000K
				185-189	3900K
				190-193	3800K
				194-198	3700K
				199-202	3600K
				203-207	3500K
				208-211	3400K
				212-216	3300K
				217-220	3200K
				221-225	3100K
				226-229	3000K
				230-234	2900K
				235-238	2800K
				239-243	2700K
				244-247	2600K
				248-255	Reserved Values
					LINE_W MACRO
				000-007	Null
				008-015	Built-in Effect 1
				016-023	Built-in Effect 2
				024-031	Built-in Effect 3
	20				

					032-039 040-047 048-055 056-063 064-071 072-079 080-087 088-095 096-103 104-111 112-119 120-127 128-135 136-143 144-151 152-159 160-167 168-175 176-183 184-191 192-199 200-207 208-215 216-223 224-231 232-239 240-247 248-255	Built-in Effect 4 Built-in Effect 5 Built-in Effect 6 Built-in Effect 7 Built-in Effect 8 Built-in Effect 9 Built-in Effect 10 Built-in Effect 11 Built-in Effect 12 Built-in Effect 13 Built-in Effect 14 Built-in Effect 15 Built-in Effect 16 Built-in Effect 17 Built-in Effect 18 Built-in Effect 19 Built-in Effect 20 Built-in Effect 21 Built-in Effect 22 Built-in Effect 23 Null Null Null Null Null Null Null Null Null
	21				000-127 128-255	LINE_W MACRO SPEED Slow to Fast without Fade Slow to Fast with Fade
15	22	97			000-255	LINE_RGB RED 0%→100%
16	23	98			000-255	LINE_RGB GREEN 0%→100%
17	24	99			000-255	LINE_RGB BLUE 0%→100%
			73	97	000-255	LINE_RGB RED 1 0%→100%
			74	98	000-255	LINE_RGB GREEN 1 0%→100%
			75	99	000-255	LINE_RGB BLUE 1 0%→100%
			76	100	000-255	LINE_RGB RED 2 0%→100%
			77	101	000-255	LINE_RGB GREEN 2 0%→100%
			78	102	000-255	LINE_RGB BLUE 2 0%→100%
			79	103	000-255	LINE_RGB RED 3 0%→100%
			80	104		LINE_RGB GREEN 3

					000-255	0%→100%
			81	105	000-255	LINE_RGB BLUE 3 0%→100%
			82	106	000-255	LINE_RGB RED 4 0%→100%
			83	107	000-255	LINE_RGB GREEN 4 0%→100%
			84	108	000-255	LINE_RGB BLUE 4 0%→100%
			85	109	000-255	LINE_RGB RED 5 0%→100%
			86	110	000-255	LINE_RGB GREEN 5 0%→100%
			87	111	000-255	LINE_RGB BLUE 5 0%→100%
			88	112	000-255	LINE_RGB RED 6 0%→100%
			89	113	000-255	LINE_RGB GREEN 6 0%→100%
			90	114	000-255	LINE_RGB BLUE 6 0%→100%
			91	115	000-255	LINE_RGB RED 7 0%→100%
			92	116	000-255	LINE_RGB GREEN 7 0%→100%
			93	117	000-255	LINE_RGB BLUE 7 0%→100%
			94	118	000-255	LINE_RGB RED 8 0%→100%
			95	119	000-255	LINE_RGB GREEN 8 0%→100%
			96	120	000-255	LINE_RGB BLUE 8 0%→100%
			97	121	000-255	LINE_RGB RED 9 0%→100%
			98	122	000-255	LINE_RGB GREEN 9 0%→100%
			99	123	000-255	LINE_RGB BLUE 9 0%→100%
			100	124	000-255	LINE_RGB RED 10 0%→100%
			101	125	000-255	LINE_RGB GREEN 10 0%→100%
			102	126	000-255	LINE_RGB BLUE 10 0%→100%
			103	127	000-255	LINE_RGB RED 11 0%→100%
			104	128	000-255	LINE_RGB GREEN 11 0%→100%

			105	129	000-255	LINE_RGB BLUE 11 0%→100%
			106	130	000-255	LINE_RGB RED 12 0%→100%
			107	131	000-255	LINE_RGB GREEN 12 0%→100%
			108	132	000-255	LINE_RGB BLUE 12 0%→100%
				133	000-255	LINE_RGB RED 13 0%→100%
				134	000-255	LINE_RGB GREEN 13 0%→100%
				135	000-255	LINE_RGB BLUE 13 0%→100%
				136	000-255	LINE_RGB RED 14 0%→100%
				137	000-255	LINE_RGB GREEN 14 0%→100%
				138	000-255	LINE_RGB BLUE 14 0%→100%
				139	000-255	LINE_RGB RED 15 0%→100%
				140	000-255	LINE_RGB GREEN 15 0%→100%
				141	000-255	LINE_RGB BLUE 15 0%→100%
				142	000-255	LINE_RGB RED 16 0%→100%
				143	000-255	LINE_RGB GREEN 16 0%→100%
				144	000-255	LINE_RGB BLUE 16 0%→100%
				145	000-255	LINE_RGB RED 17 0%→100%
				146	000-255	LINE_RGB GREEN 17 0%→100%
				147	000-255	LINE_RGB BLUE 17 0%→100%
				148	000-255	LINE_RGB RED 18 0%→100%
				149	000-255	LINE_RGB GREEN 18 0%→100%
				150	000-255	LINE_RGB BLUE 18 0%→100%
				151	000-255	LINE_RGB RED 19 0%→100%
				152	000-255	LINE_RGB GREEN 19 0%→100%
				153	000-255	LINE_RGB BLUE 19 0%→100%

				154	000-255	LINE_RGB RED 20 0%→100%
				155	000-255	LINE_RGB GREEN 20 0%→100%
				156	000-255	LINE_RGB BLUE 20 0%→100%
				157	000-255	LINE_RGB RED 21 0%→100%
				158	000-255	LINE_RGB GREEN 21 0%→100%
				159	000-255	LINE_RGB BLUE 21 0%→100%
				160	000-255	LINE_RGB RED 22 0%→100%
				161	000-255	LINE_RGB GREEN 22 0%→100%
				162	000-255	LINE_RGB BLUE 22 0%→100%
				163	000-255	LINE_RGB RED 23 0%→100%
				164	000-255	LINE_RGB GREEN 23 0%→100%
				165	000-255	LINE_RGB BLUE 23 0%→100%
				166	000-255	LINE_RGB RED 24 0%→100%
				167	000-255	LINE_RGB GREEN 24 0%→100%
				168	000-255	LINE_RGB BLUE 24 0%→100%
	25				000-007 008-015 016-023 024-031 032-039 040-047 048-055 056-063 064-071 072-079 080-087 088-095 096-103 104-111 112-119 120-127 128-135 136-143 144-151 152-159 160-167	LINE_RGB COLOR Null Color 1 Color 2 Color 3 Color 4 Color 5 Color 6 Color 7 Color 8 Color 9 Color 10 Color 11 Color 12 Color 13 Color 14 Color 15 Color 16 Color 17 Color 18 Color 19 Color 20

					168-175 176-183 184-191 192-199 200-207 208-215 216-223 224-231 232-239 240-247 248-255	Color 21 Color 22 Color 23 Color 24 Color 25 Color 26 Color 27 Color 28 Color 29 Color 30 Color 31
	26				000-007 008-015 016-023 024-031 032-039 040-047 048-055 056-063 064-071 072-079 080-087 088-095 096-103 104-111 112-119 120-127 128-135 136-143 144-151 152-159 160-167 168-175 176-183 184-191 192-199 200-207 208-215 216-223 224-231 232-239 240-247 248-255	LINE_RGB MACRO Null Built-in Effect 1 Built-in Effect 2 Built-in Effect 3 Built-in Effect 4 Built-in Effect 5 Built-in Effect 6 Built-in Effect 7 Built-in Effect 8 Built-in Effect 9 Built-in Effect 10 Built-in Effect 11 Built-in Effect 12 Built-in Effect 13 Built-in Effect 14 Built-in Effect 15 Built-in Effect 16 Built-in Effect 17 Built-in Effect 18 Built-in Effect 19 Built-in Effect 20 Built-in Effect 21 Built-in Effect 22 Built-in Effect 23 Null Null Null Null Null Null Null Null Null Null
	27				000-127 128-255	LINE_RGB MACRO SPEED Slow to Fast without Fade Slow to Fast with Fade

8+100 Channels (Mode 6) / 8+160 Channels (Mode 7):

CHANNEL		VALUE	FUNCTION
8+100ch	8+160ch		
Controlled by DMX			
1	1	000-255	TILT 0°→202°
2	2	000-255	TILT FINE
3	3	000-255	ZOOM Wide→Narrow
4	4	000-255	DIMMER 0%→100%
5	5	000-007 008-015 016-131 132-139 140-181 182-189 190-231 232-239 240-247 248-255	MAIN STROBE Close Open Strobe from Slow to Fast Open Slow Open Fast Close from Slow to Fast Open Fast Open Slow Close from Slow to Fast Open Random Strobe from Slow to Fast Open
6	6	000-007 008-015 016-131 132-139 140-181 182-189 190-231 232-239 240-247 248-255	LINE_W STROBE Close Open Strobe from Slow to Fast Open Slow Open Fast Close from Slow to Fast Open Fast Open Slow Close from Slow to Fast Open Random Strobe from Slow to Fast Open
7	7	000-007 008-015 016-131 132-139 140-181 182-189 190-231 232-239 240-247 248-255	LINE_RGB STROBE Close Open Strobe from Slow to Fast Open Slow Open Fast Close from Slow to Fast Open Fast Open Slow Close from Slow to Fast Open Random Strobe from Slow to Fast Open
8	8	000-029 030-039 040-049	SPECIAL FUNCTION (To activate following functions, stop in DMX value for at least 3 seconds.) Null Dimmer Curve: Linear Dimmer Curve: Square Law

		050-059	Dimmer Curve: Inv SQ Law
		060-069	Dimmer Curve: S Curve
		070-079	Power Mode: Standard
		080-089	Null
		090-099	Power Mode: Quiet
		100-109	Led Frequency Setting Enable
		110-119	Led Frequency Setting Disable
		120-122	Null
		123	900Hz
		124	1000Hz
		125	1100Hz
		126	1200Hz
		127	1300Hz
		128	1400Hz
		129	1500Hz
		130	2500Hz
		131	4000Hz
		132	5000Hz
		133	6000Hz
		134	10KHz
		135	15KHz
		136	20KHz
		137	25KHz
		138-139	Null
		140-149	Tilt Reset
		150-159	Effect Reset
		160-169	CCT Calibration: On
		170-179	CCT Calibration: Off
		180-189	Invert Pixel Order: No
		190-199	Invert Pixel Order: Yes
		200-209	All Reset
		210-219	Dimmer Speed: Fast
		220-229	Dimmer Speed: Smooth
		230-239	Line Power Mode: Off
		240-249	Line Power Mode: On
		250-251	Dimming Start Mode: High
		252-253	Dimming Start Mode: Low
		254-255	Null

Controlled by Art-Net

1	1	000-255	MAIN RED 1 0%→100%
2	2	000-255	MAIN GREEN 1 0%→100%
3	3	000-255	MAIN BLUE 1 0%→100%
4	4	000-255	MAIN WHITE 1 0%→100%
5	5	000-255	MAIN RED 2 0%→100%
6	6	000-255	MAIN GREEN 2 0%→100%
7	7		MAIN BLUE 2

		000-255	0%→100%
8	8	000-255	MAIN WHITE 2 0%→100%
9	9	000-255	MAIN RED 3 0%→100%
10	10	000-255	MAIN GREEN 3 0%→100%
11	11	000-255	MAIN BLUE 3 0%→100%
12	12	000-255	MAIN WHITE 3 0%→100%
13	13	000-255	MAIN RED 4 0%→100%
14	14	000-255	MAIN GREEN 4 0%→100%
15	15	000-255	MAIN BLUE 4 0%→100%
16	16	000-255	MAIN WHITE 4 0%→100%
17	17	000-255	MAIN RED 5 0%→100%
18	18	000-255	MAIN GREEN 5 0%→100%
19	19	000-255	MAIN BLUE 5 0%→100%
20	20	000-255	MAIN WHITE 5 0%→100%
21	21	000-255	MAIN RED 6 0%→100%
22	22	000-255	MAIN GREEN 6 0%→100%
23	23	000-255	MAIN BLUE 6 0%→100%
24	24	000-255	MAIN WHITE 6 0%→100%
25	25	000-255	MAIN RED 7 0%→100%
26	26	000-255	MAIN GREEN 7 0%→100%
27	27	000-255	MAIN BLUE 7 0%→100%
28	28	000-255	MAIN WHITE 7 0%→100%
29	29	000-255	MAIN RED 8 0%→100%
30	30	000-255	MAIN GREEN 8 0%→100%
31	31	000-255	MAIN BLUE 8 0%→100%

32	32	000-255	MAIN WHITE 8 0%→100%
33	33	000-255	MAIN RED 9 0%→100%
34	34	000-255	MAIN GREEN 9 0%→100%
35	35	000-255	MAIN BLUE 9 0%→100%
36	36	000-255	MAIN WHITE 9 0%→100%
37	37	000-255	MAIN RED 10 0%→100%
38	38	000-255	MAIN GREEN 10 0%→100%
39	39	000-255	MAIN BLUE 10 0%→100%
40	40	000-255	MAIN WHITE 10 0%→100%
41	41	000-255	LINE_W CW 1 0%→100%
42	42	000-255	LINE_W WW 1 0%→100%
43	43	000-255	LINE_W CW 2 0%→100%
44	44	000-255	LINE_W WW 2 0%→100%
45	45	000-255	LINE_W CW 3 0%→100%
46	46	000-255	LINE_W WW 3 0%→100%
47	47	000-255	LINE_W CW 4 0%→100%
48	48	000-255	LINE_W WW 4 0%→100%
49	49	000-255	LINE_W CW 5 0%→100%
50	50	000-255	LINE_W WW 5 0%→100%
51	51	000-255	LINE_W CW 6 0%→100%
52	52	000-255	LINE_W WW 6 0%→100%
53	53	000-255	LINE_W CW 7 0%→100%
54	54	000-255	LINE_W WW 7 0%→100%
55	55	000-255	LINE_W CW 8 0%→100%
56	56	000-255	LINE_W WW 8 0%→100%

57	57	000-255	LINE_W CW 9 0%→100%
58	58	000-255	LINE_W WW 9 0%→100%
59	59	000-255	LINE_W CW 10 0%→100%
60	60	000-255	LINE_W WW 10 0%→100%
61	61	000-255	LINE_W CW 11 0%→100%
62	62	000-255	LINE_W WW 11 0%→100%
63	63	000-255	LINE_W CW 12 0%→100%
64	64	000-255	LINE_W WW 12 0%→100%
	65	000-255	LINE_W CW 13 0%→100%
	66	000-255	LINE_W WW 13 0%→100%
	67	000-255	LINE_W CW 14 0%→100%
	68	000-255	LINE_W WW 14 0%→100%
	69	000-255	LINE_W CW 15 0%→100%
	70	000-255	LINE_W WW 15 0%→100%
	71	000-255	LINE_W CW 16 0%→100%
	72	000-255	LINE_W WW 16 0%→100%
	73	000-255	LINE_W CW 17 0%→100%
	74	000-255	LINE_W WW 17 0%→100%
	75	000-255	LINE_W CW 18 0%→100%
	76	000-255	LINE_W WW 18 0%→100%
	77	000-255	LINE_W CW 19 0%→100%
	78	000-255	LINE_W WW 19 0%→100%
	79	000-255	LINE_W CW 20 0%→100%
	80	000-255	LINE_W WW 20 0%→100%
	81	000-255	LINE_W CW 21 0%→100%

	82	000-255	LINE_W WW 21 0%→100%
	83	000-255	LINE_W CW 22 0%→100%
	84	000-255	LINE_W WW 22 0%→100%
	85	000-255	LINE_W CW 23 0%→100%
	86	000-255	LINE_W WW 23 0%→100%
	87	000-255	LINE_W CW 24 0%→100%
	88	000-255	LINE_W WW 24 0%→100%
65	89	000-255	LINE_RGB RED 1 0%→100%
66	90	000-255	LINE_RGB GREEN 1 0%→100%
67	91	000-255	LINE_RGB BLUE 1 0%→100%
68	92	000-255	LINE_RGB RED 2 0%→100%
69	93	000-255	LINE_RGB GREEN 2 0%→100%
70	94	000-255	LINE_RGB BLUE 2 0%→100%
71	95	000-255	LINE_RGB RED 3 0%→100%
72	96	000-255	LINE_RGB GREEN 3 0%→100%
73	97	000-255	LINE_RGB BLUE 3 0%→100%
74	98	000-255	LINE_RGB RED 4 0%→100%
75	99	000-255	LINE_RGB GREEN 4 0%→100%
76	100	000-255	LINE_RGB BLUE 4 0%→100%
77	101	000-255	LINE_RGB RED 5 0%→100%
78	102	000-255	LINE_RGB GREEN 5 0%→100%
79	103	000-255	LINE_RGB BLUE 5 0%→100%
80	104	000-255	LINE_RGB RED 6 0%→100%
81	105	000-255	LINE_RGB GREEN 6 0%→100%
82	106	000-255	LINE_RGB BLUE 6 0%→100%

83	107	000-255	LINE_RGB RED 7 0%→100%
84	108	000-255	LINE_RGB GREEN 7 0%→100%
85	109	000-255	LINE_RGB BLUE 7 0%→100%
86	110	000-255	LINE_RGB RED 8 0%→100%
87	111	000-255	LINE_RGB GREEN 8 0%→100%
88	112	000-255	LINE_RGB BLUE 8 0%→100%
89	113	000-255	LINE_RGB RED 9 0%→100%
90	114	000-255	LINE_RGB GREEN 9 0%→100%
91	115	000-255	LINE_RGB BLUE 9 0%→100%
92	116	000-255	LINE_RGB RED 10 0%→100%
93	117	000-255	LINE_RGB GREEN 10 0%→100%
94	118	000-255	LINE_RGB BLUE 10 0%→100%
95	119	000-255	LINE_RGB RED 11 0%→100%
96	120	000-255	LINE_RGB GREEN 11 0%→100%
97	121	000-255	LINE_RGB BLUE 11 0%→100%
98	122	000-255	LINE_RGB RED 12 0%→100%
99	123	000-255	LINE_RGB GREEN 12 0%→100%
100	124	000-255	LINE_RGB BLUE 12 0%→100%
	125	000-255	LINE_RGB RED 13 0%→100%
	126	000-255	LINE_RGB GREEN 13 0%→100%
	127	000-255	LINE_RGB BLUE 13 0%→100%
	128	000-255	LINE_RGB RED 14 0%→100%
	129	000-255	LINE_RGB GREEN 14 0%→100%
	130	000-255	LINE_RGB BLUE 14 0%→100%
	131	000-255	LINE_RGB RED 15 0%→100%

	132	000-255	LINE_RGB GREEN 15 0%→100%
	133	000-255	LINE_RGB BLUE 15 0%→100%
	134	000-255	LINE_RGB RED 16 0%→100%
	135	000-255	LINE_RGB GREEN 16 0%→100%
	136	000-255	LINE_RGB BLUE 16 0%→100%
	137	000-255	LINE_RGB RED 17 0%→100%
	138	000-255	LINE_RGB GREEN 17 0%→100%
	139	000-255	LINE_RGB BLUE 17 0%→100%
	140	000-255	LINE_RGB RED 18 0%→100%
	141	000-255	LINE_RGB GREEN 18 0%→100%
	142	000-255	LINE_RGB BLUE 18 0%→100%
	143	000-255	LINE_RGB RED 19 0%→100%
	144	000-255	LINE_RGB GREEN 19 0%→100%
	145	000-255	LINE_RGB BLUE 19 0%→100%
	146	000-255	LINE_RGB RED 20 0%→100%
	147	000-255	LINE_RGB GREEN 20 0%→100%
	148	000-255	LINE_RGB BLUE 20 0%→100%
	149	000-255	LINE_RGB RED 21 0%→100%
	150	000-255	LINE_RGB GREEN 21 0%→100%
	151	000-255	LINE_RGB BLUE 21 0%→100%
	152	000-255	LINE_RGB RED 22 0%→100%
	153	000-255	LINE_RGB GREEN 22 0%→100%
	154	000-255	LINE_RGB BLUE 22 0%→100%
	155	000-255	LINE_RGB RED 23 0%→100%
	156	000-255	LINE_RGB GREEN 23 0%→100%

	157	000-255	LINE_RGB BLUE 23 0%→100%
	158	000-255	LINE_RGB RED 24 0%→100%
	159	000-255	LINE_RGB GREEN 24 0%→100%
	160	000-255	LINE_RGB BLUE 24 0%→100%

21 Channels (Mode 8):

CHANNEL	VALUE	FUNCTION
21ch		
1	000-255	TILT 0°→202°
2	000-255	TILT FINE
3	000-255	ZOOM Wide→Narrow
4	000-255	DIMMER 0%→100%
5	000-007 008-015 016-131 132-139 140-181 182-189 190-231 232-239 240-247 248-255	MAIN STROBE Close Open Strobe from Slow to Fast Open Slow Open Fast Close from Slow to Fast Open Fast Open Slow Close from Slow to Fast Open Random Strobe from Slow to Fast Open
6	000-007 008-015 016-131 132-139 140-181 182-189 190-231 232-239 240-247 248-255	LINE_W STROBE Close Open Strobe from Slow to Fast Open Slow Open Fast Close from Slow to Fast Open Fast Open Slow Close from Slow to Fast Open Random Strobe from Slow to Fast Open
7	000-007 008-015 016-131 132-139 140-181 182-189 190-231	LINE_RGB STROBE Close Open Strobe from Slow to Fast Open Slow Open Fast Close from Slow to Fast Open Fast Open Slow Close from Slow to Fast

	232-239 240-247 248-255	Open Random Strobe from Slow to Fast Open
8	000-029 030-039 040-049 050-059 060-069 070-079 080-089 090-099 100-109 110-119 120-122 123 124 125 126 127 128 129 130 131 132 133 134 135 136 137 138-139 140-149 150-159 160-169 170-179 180-189 190-199 200-209 210-219 220-229 230-239 240-249 250-251 252-253 254-255	SPECIAL FUNCTION (To activate following functions, stop in DMX value for at least 3 seconds.) Null Dimmer Curve: Linear Dimmer Curve: Square Law Dimmer Curve: Inv SQ Law Dimmer Curve: S Curve Power Mode: Standard Null Power Mode: Quiet Led Frequency Setting Enable Led Frequency Setting Disable Null 900Hz 1000Hz 1100Hz 1200Hz 1300Hz 1400Hz 1500Hz 2500Hz 4000Hz 5000Hz 6000Hz 10KHz 15KHz 20KHz 25KHz Null Tilt Reset Effect Reset CCT Calibration: On CCT Calibration: Off Invert Pixel Order: No Invert Pixel Order: Yes All Reset Dimmer Speed: Fast Dimmer Speed: Smooth Line Power Mode: Off Line Power Mode: On Dimming Start Mode: High Dimming Start Mode: Low Null
9	000-255	MAIN RED 0%→100%
10	000-255	MAIN GREEN 0%→100%
11	000-255	MAIN BLUE 0%→100%

12	000-255	MAIN WHITE 0%→100%
13	000-255	LINE_W CW 0%→100%
14	000-255	LINE_W WW 0%→100%
15	000-255	LINE_RGB RED 0%→100%
16	000-255	LINE_RGB GREEN 0%→100%
17	000-255	LINE_RGB BLUE 0%→100%
18	000-255	MAIN RED 11&12 0%→100%
19	000-255	MAIN GREEN 11&12 0%→100%
20	000-255	MAIN BLUE 11&12 0%→100%
21	000-255	MAIN WHITE 11&12 0%→100%

08/ Error Information

Error codes are shown continuously in the display when the fixture fails and they will not disappear until the fixture is repaired.

CPU-B/C/D/E/F Error

Check whether the 485 (DATA) leads on the PCB board are installed in place or disconnected.

Check whether the related 485 (DATA) signal circuit on the PCB board is damaged.

Tilt Reset Error

Check whether the position of the tilt where the magnet is installed falls off or is damaged.

Check whether there are obstacles in the tilt operating range.

Check whether the Hall element on the tilt is damaged.

Check whether the lead connecting the Hall element on the tilt and the PCB board is in poor contact or disconnected.

Check whether the motor on the tilt is damaged.

Check whether the related circuit of the motor drive board on the tilt is damaged.

Tilt Encode Error

Check whether the encoder on the tilt is damaged.

Check whether the lead connecting the encoder on the tilt and the PCB board is in poor contact or disconnected.

Tilt Encode Not Find

Check whether the lead connecting the encoder on the tilt and the PCB board is in poor contact or disconnected.

Tilt Encode Disable

Check whether the encoder on the tilt is damaged.

Network Error

Check whether the network module is installed.
Check whether the network module is damaged.

Zoom Error

Check whether the position of the zoom where the magnet is installed falls off or is damaged.
Check whether there are obstacles in the zoom operating range.
Check whether the Hall element on the zoom is damaged.
Check whether the lead connecting the Hall element on the zoom and the PCB board is in poor contact or disconnected.
Check whether the motor on the zoom is damaged.
Check whether the related circuit of the motor drive board on the zoom is damage.

LED Timeout Use

LED Too Hot Off

When the fixture temperature reaches 86°C, it will automatically turn off to protect the fixture.

LED Temp. 1/2/3 Error

Check whether the temperature detecting board is normal.
Check whether the components of the temperature detecting board are damaged.
Check whether the lead on the temperature detecting board is installed in place or disconnected.

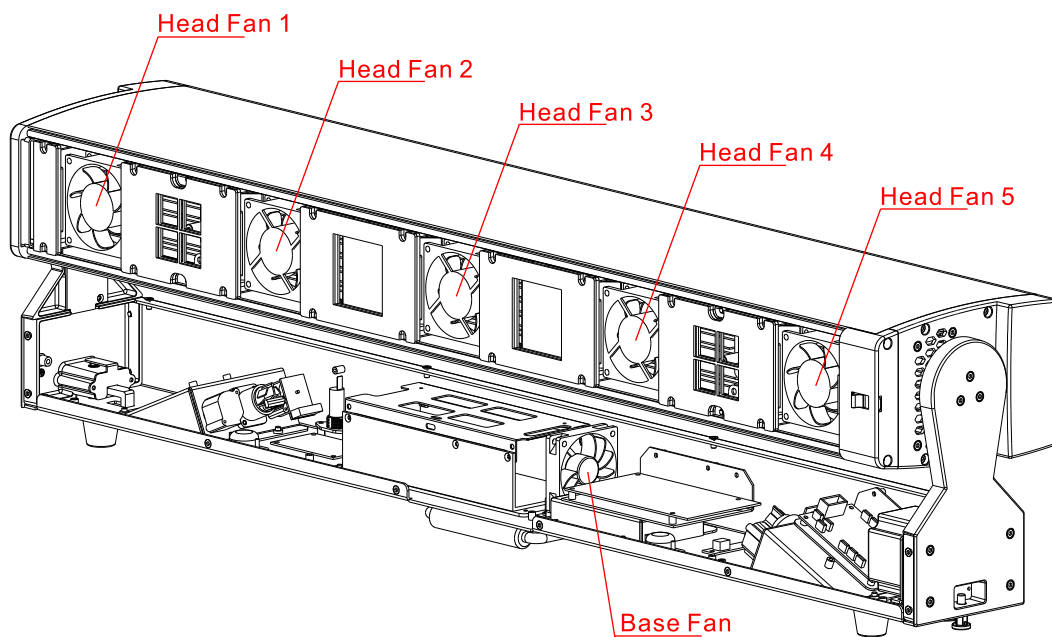
Base Fan Start Err

Check whether the fan is not running.
Check whether the fan leads are installed in place or disconnected.
Check whether the fan is damaged.
Check whether there are obstacles in the fan operating range.

Head Fan 1/2/3/4/5 Start Err

- Check whether the fan is not running.
- Check whether the fan leads are installed in place or disconnected.
- Check whether the fan is damaged.
- Check whether there are obstacles in the fan operating range.

Position of cooling fans:



Cooling Fans	Part Number	V	W	Position
Base Fan	3014001330	DC 24V	4.1W	Base - B
Head Fan 1	3014001321	DC 24V	7.2W	Head - D
Head Fan 2				
Head Fan 3				
Head Fan 4				
Head Fan 5				

09/ Troubleshooting

Problem	Potential cause(s)	Remedies
Fixture does not respond or appears to be off.	No power to the fixture.	Confirm that the power is switched on and cables are plugged in.
	No output from PSU.	Replace the PSU.
Fixture suddenly turned off.	Power was turned off.	Check the power supply, switches and breakers.
Light output cuts out intermittently.	Fixture is too hot.	Check fixture's stored error messages for more information. Allow fixture to cool. Clean fixture. Reduce ambient temperature.
Fixture suddenly stopped responding.	DMX cables were disconnected.	Inspect DMX cables.
Fixture operates irregularly / abnormal.	Incorrect DMX address or DMX mode.	Inspect and enter the correct DMX address or mode.
	DMX link is not terminated.	Install a XLR 120ohm DMX termination at the end of the DMX link.
	Bad data link.	Replace or repair defective cables and/or connections.
	One of the fixtures is defective and is disturbing data transmission on the link.	Track and isolate the corrupted fixture. Have the fixture serviced by a qualified technician.
Tilt is skipping / shuddering	Tilt lock is not released.	Release the tilt lock.
	Obstacles are within the required tilt clearance.	Inspect and remove any obstacles constraining free operation of the tilt.
	The Hall element is damaged.	Replace the Hall element.
	The magnetic steel fell out.	Replace the magnetic steel.

10/ Fixture Cleaning

Regular cleaning is very important for fixture life and performance. Buildup of dust, dirt, smoke particles, fog fluid residues, etc. degrades the fixture's light output and cooling ability. Cleaning schedules for lighting fixtures vary greatly depending on the operating environment. It is therefore impossible to specify precise cleaning intervals for the fixture. Environmental factors that may result in a need for frequent cleaning include:

- ▶ Use of smoke or fog machines.
- ▶ High airflow rates (near air conditioning vents, for example).
- ▶ Airborne dust (from stage effects, building structures and fittings or the natural environment at outdoor events, for example).

If one or more of these factors is present, inspect fixtures within their first few hours of operation to see whether cleaning is necessary. Check again at frequent intervals. This procedure will allow you to assess cleaning requirements in your particular situation.

Follow these precautions when cleaning the fixture:

- ▶ Work in a clean, dry, well-lit area.
- ▶ Use gentle pressure only. A soft lint-free cloth dampened with a solution of water and a mild detergent is recommended, under no circumstances should alcohol, solvents or abrasives be used! Use care when cleaning optical components: surfaces are fragile and easily scratched.

11/ Approvals and Certifications

This product has been tested and found to comply with the following standards:

- 2014/30/EU - Electromagnetic Compatibility (EMC)
- 2014/35/EU - Low Voltage Directive (LVD)
- cETLus Approved (Control #5000057)
- UK SI 2016 No. 1091: Electromagnetic Compatibility Regulations 2016
- UK SI 2016 No. 1101: The Electric Equipment (Safety) Regulations 2016



The information in this document is subject to change without notice.

For the latest information, visit www.acmelighting.com.



www.acmelighting.com