



Light Source
450W LED

Diameter of Frontal Lens
120 mm

Total Lumen Output of Fixture
13,000 lumens

Zoom Range
6.5°-54°



Main Features

Light Source: 450W LED

120 mm diameter frontal lens

Zoom Range: 6.5°-54°

Total Lumen Output of Fixture: 13,000 lumens

Color Temperature of Fixture: 6,000K

CRI: Ra≥95, R9≥90, R15≥95

TLCI≥95, CCI: 0-0.5G

TM-30 Rf: 91 TM-30 Rg: 99

Motorized focus

Linear CMY color mixing

Linear CTO Color Correction: 2,700K-6,000K

1 x 4-facet circular prism rotatable in either both direction

1 combinable light frost filter and 1 combinable medium frost filter

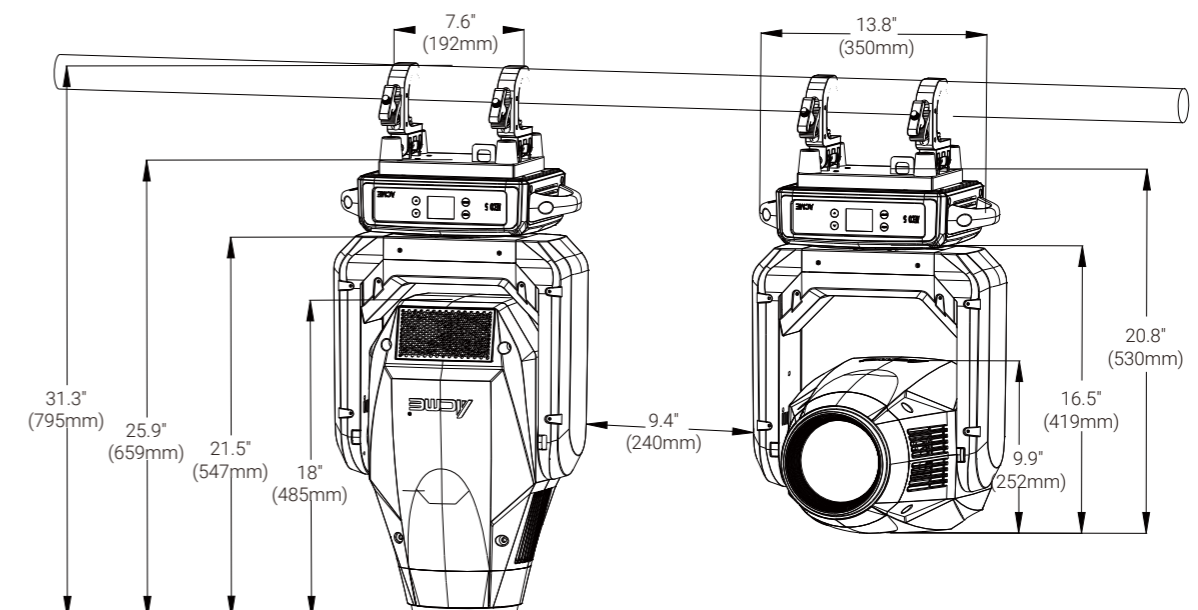
4 rotating full blackout framing shutter blades with individually controllable; Rotation of the framing system module: ±45°

1 Static Gobo Wheel: 8 gobos, plus open

1 Rotating Gobo Wheel: 7 gobos, plus open

1 Color Wheel: 6 colors, plus open

Technical Specifications



Light Source

- Light Source: 450W LED
- Color Temperature Output of Fixture: 6,000K
- Total Lumen Output of Fixture: 13,000 lumens
- Life expectancy: 20,000 hours*

*Source manufacturer specification

Optical System

- Beam Angle: 6.5°-54°
- Diameter of Frontal Lens: 120 mm
- CRI: Ra≥95, R9≥90, R15≥95
TLCI≥95, CCI:0-0.5G TM-30 Rf: 91 TM-30 Rg: 99

Prism / Frost Filter



4-Facet Circular Prism Light Frost Filter Medium Frost Filter

Colors

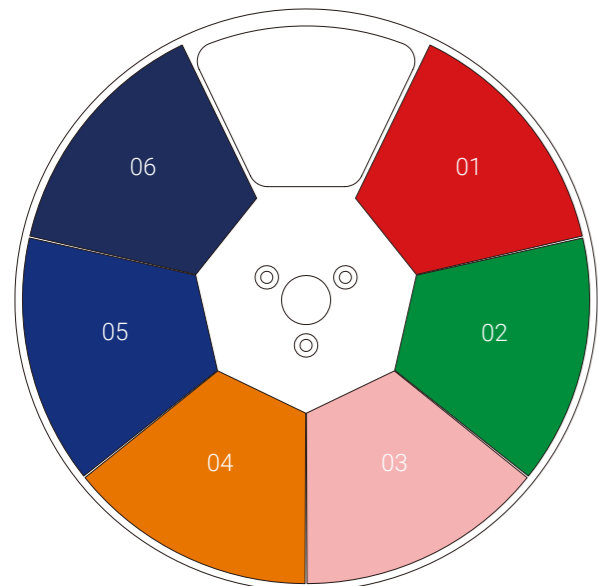
- Linear CMY color mixing



- Linear CTO Color Correction: 2,700K-6,000K



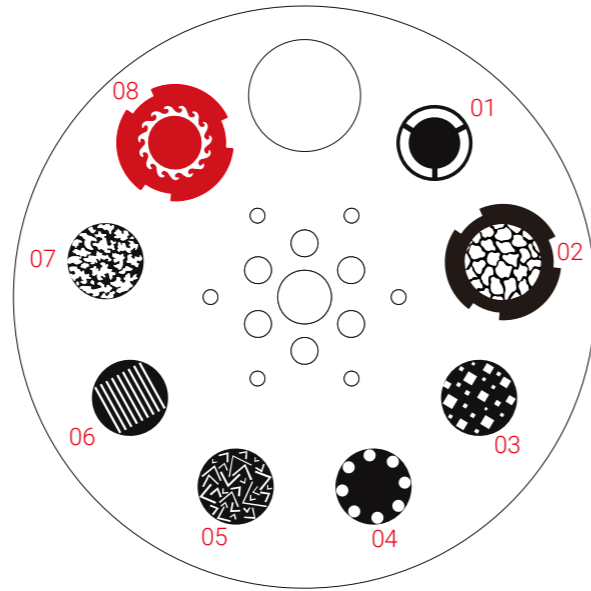
- 1 Color Wheel: 6 colors, plus open



Color Wheel

Static Gobos

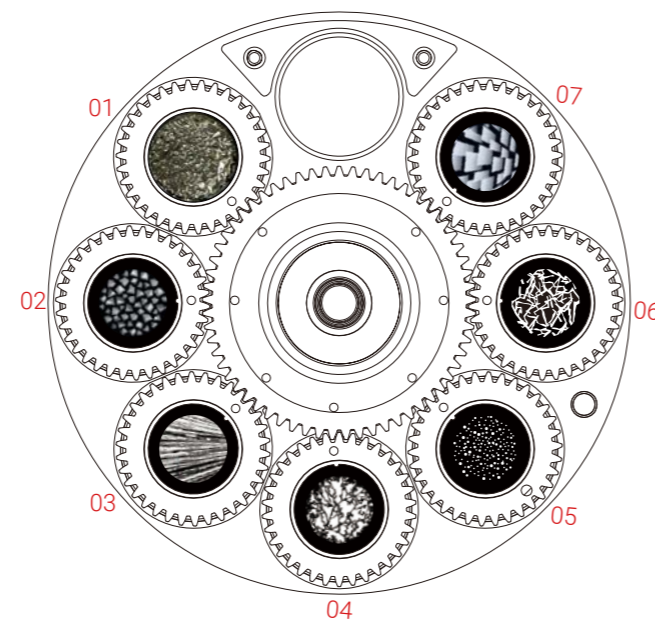
- 1 Static Gobo Wheel: 8 gobos, plus open



Static Gobo Wheel

Rotating Gobos

- 1 Rotating Gobo Wheel:
7 gobos, plus open, convenient replacement
Outside Diameter: 22.5 mm
Image Diameter: 17 mm



Rotating Gobo Wheel

Framing System

- Shutter Blades:
4 blades, each with separate movement and full blackout
- Rotation: ±60° of the complete framing system

Other Effects

- Motorized linear Iris
- Smooth dimming 0-100%
- Outstanding strobe effect with various speeds



Framing Module

Linear Iris

Pan & Tilt

- Pan Movement: 540°
- Tilt Movement: 270°
- Automatic Pan/Tilt position correction
- Pan/Tilt Resolution:
Moving-head operated with 16 bit resolution
- Fixation: Pan/Tilt lock

Control

- 4 touch button control panel
- Display: LCD display
- Protocols: DMX512, RDM, Art-Net, sACN
- DMX Protocol Modes: 3
- Control Channels: 24/28/33
- Firmware Upgrade: Upgrade via DMX link or USB disk

Electrical and Connectors

- Input voltage range: 100-240Vac; 50/60 Hz
- Power Consumption: 670W
- Power In/Out: Power connector in/out (TRUE1 type)
- Data In/Out: 3-pin or 5-pin XLR, RJ45 connector

Fixture Specification

- Fixture Dimensions:
252 x 364 x 692 mm (9.9" x 14.3" x 27.2")
Weight: 26.5 kg (58.5 lbs)
- Flight Case Dimensions 1:
890 x 780 x 575 mm (35.0" x 30.7" x 22.6")
Weight: 95.5 kg (210.5 lbs) (two-pack loader case)
- Flight Case Dimensions 2:
1,220 x 610 x 905 mm (48.0" x 24.0" x 35.6")
Weight: 135.1kg (297.8 lbs) (two-pack loader case)

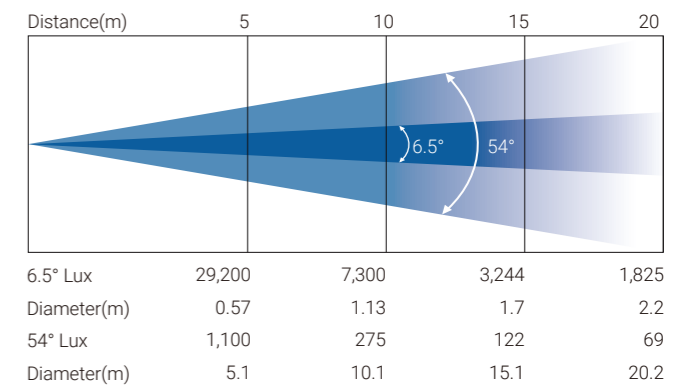
Work Environment

- Maximum Ambient Temperature: 40°C
- Minimum Operating Temperature: 0°C
- Maximum Surface Temperature: 65°C
- Protection Rating: IP20

Installation

- Horizontally or vertically mounting
- Universal working position
- 2 fixed foldable clamps for 50mm truss
- Safety cable attachment point

Photometric (Images)



Specifications subject to change without notice.

11/28/2024