

LEO

XP 550 BSW



Light Sources

Philips MSD Platinum 500L Flex

Zoom Range

2°-7° (BEAM)

5°-32° (SPOT)

8°-70° (WASH)

Diameter of Frontal Lens

165 mm

Acme

LEO



Main Features

Light Source: Philips MSD Platinum 500L Flex

Diameter of Frontal Lens: 165 mm

Color Temperature Output of Fixture: 6,700K

Zoom Range:

2°-7° (Beam Mode)

5°-32° (Spot Mode)

8°-70° (Wash Mode)

Variable CTO: 3,200K-6,700K

Linear CMY color mixing

Flicker free management

Dust-proof and oil-proof design

1 Color Wheel: 14 colors, plus open

1 Static Gobo Wheel: 16 gobos, plus open

1 Rotating Gobo Wheel: 7 gobos, plus open

Gobo Diameter: 22.5 mm

Image diameter: 12 mm

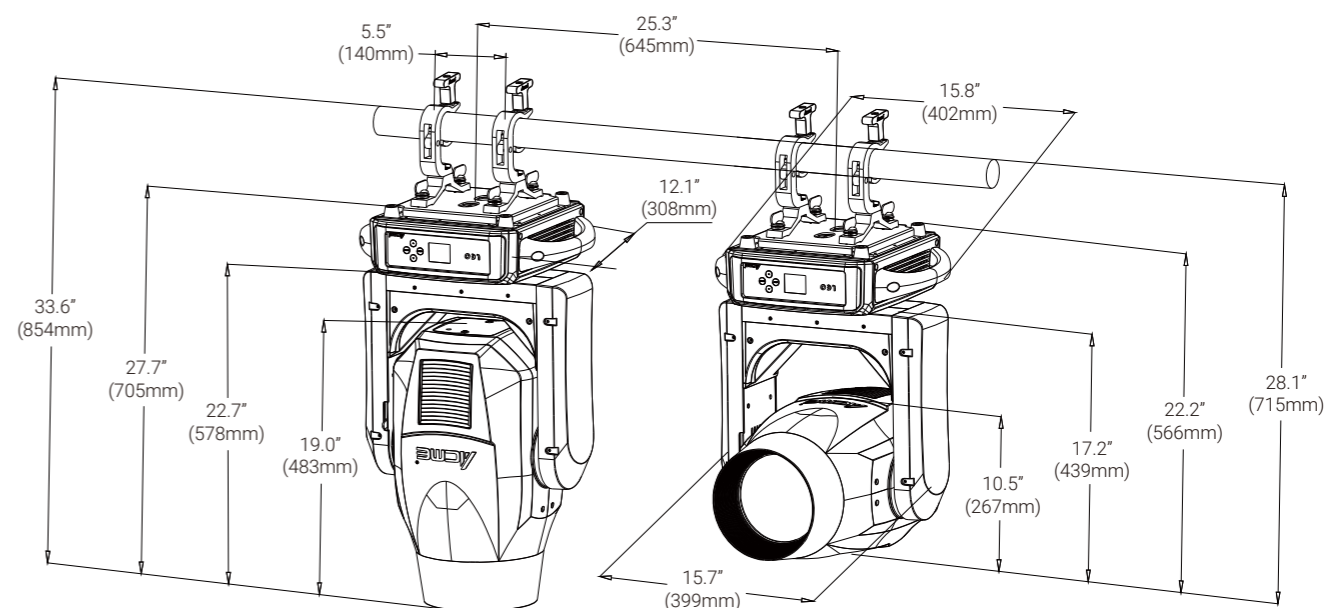
A graphic animation wheel with continuous rotation in both directions, used alone or in combination with gobos to create the splendid water wave & flame effect, and can be changed into other wheels

2 Combinable Rotating and Indexable

Prisms: 1 x 8-facet circular prism, 1 x 6-facet linear prism, rotatable in both directions and overlayable

Smooth dimming 0-100%

Technical Specifications



Light source

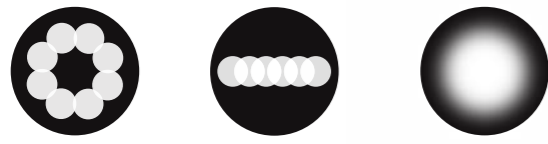
- Light Source: Philips MSD Platinum 500L Flex
- Total Lumen Output of Fixture: 19,600 lumens
- Life Expectancy: 4,000 hours*

*Source manufacturer specification

Optical System

- Advanced optical design for seamless effects
- Zoom Range:
 - 2°-7° (Beam Mode)
 - 5°-32° (Spot Mode)
 - 8°-70° (Wash Mode)
- High-efficiency zoom optical system

Prism / Frost Filter



8-Facet Circular Prism 6-Facet Linear Prism Frost Filter

Colors

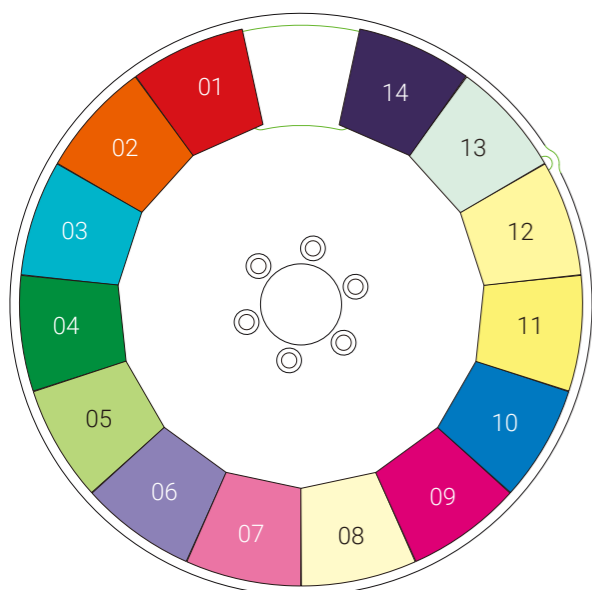
- Linear CMY color mixing



- Linear CTO Color Correction: 3,200K-6,700K



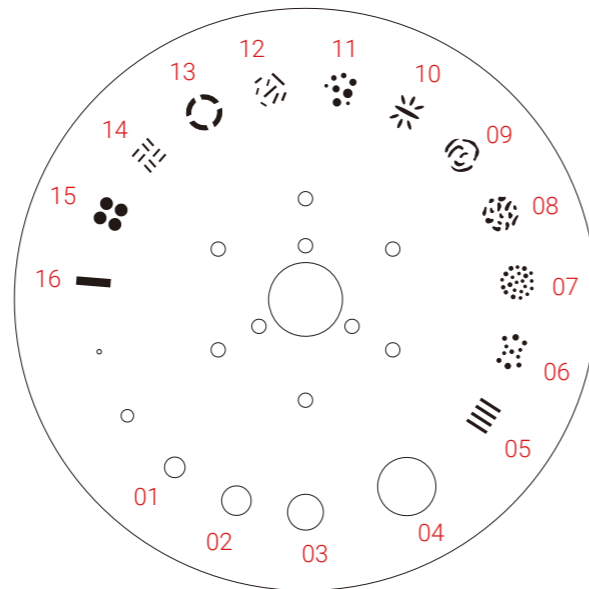
- 1 Color Wheel: 14 colors, plus open



Color Wheel

Static Gobos

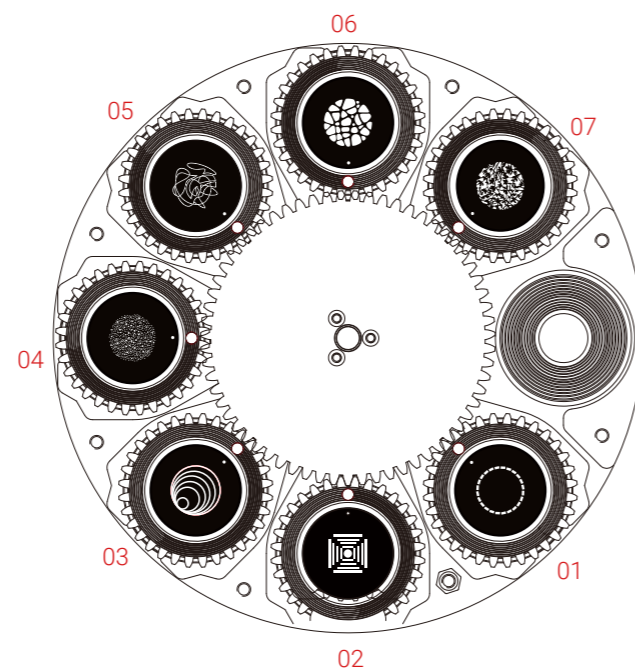
- 1 Static Gobo Wheel: 16 gobos, plus open



Static Gobo Wheel

Rotating Gobos

- 1 Rotating Gobo Wheel: 7 gobos, plus open
- Gobo Diameter: 22.5 mm
- Gobo Diameter: 22.5 mm
- Image Diameter: 12 mm
- Borofloat or better glass materials
- Set with "SLOT & LOCK" system for gobos replacement



Rotating Gobo Wheel

Animation Wheel

- A graphic animation wheel with continuous rotation in both directions, used alone or in combination with gobos to create the splendid water wave & flame effect, and can be changed into other wheels



Animation Wheel

Other Effects

- Motorized focus
- Outstanding strobe effect with variable speed
- Flicker free management

Pan & Tilt

- Pan Movement: 540°
- Tilt Movement: 270°
- Fixation: Tilt lock
- Automatic Pan/Tilt position correction
- Moving-head operated with 16 bit resolution

Control

- 4 touch button control panel
- Display: LCD display
- Protocols: DMX512, RDM, Art-Net, sACN
- DMX Protocol modes: 4
- Control channels: 18/19/25/26
- Firmware Upgrade: Upgrade via DMX link or USB disk

Electrical and Connectors

- Input Voltage Range: **180-240Vac; 50/60Hz**
- Power Consumption: 745W
- Power In/Out: Power Connector in/out (TRUE1 type)
- Data in/out: 3-pin and 5-pin XLR, RJ45 connector

Physical Information

- Fixture Dimensions: 402 x 308 x 725 mm (15.8" x 12.1" x 28.5")
- Weight: 30.5 kg (67.2 lbs)

Packing Information

- Flight Case Dimensions: 870 x 520 x 950 mm (34.3" x 20.5" x 37.4")
- Weight: 110.0 kg (242.5 lbs) (two-pack loader case)

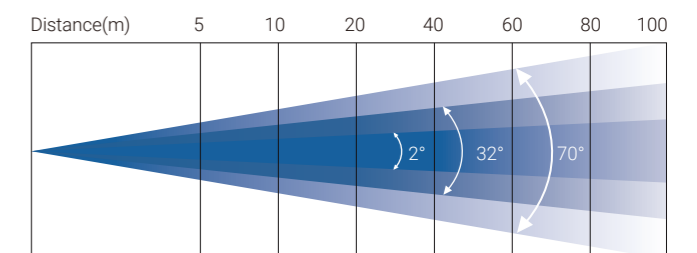
Work environment

- Maximum Ambient Temperature: 40°C
- Maximum Surface Temperature: 70°C
- Minimum Operating Temperature: 0°C
- Protection Rating: IP20

Installation

- Horizontal or vertical mounting
- Universal working position
- 2 omega brackets
- Safety cable attachment point

Photometric (Images)



2° Lux	2,100,000	525,000	131,250	32,813	14,583	8,203	5,250
Diameter(m)	0.2	0.4	0.8	1.6	2.4	3.2	4.0
32° Lux	14,500	3,625	906	227	101	57	36
Diameter(m)	3.0	6.0	12	24	36	48	60
70° Lux	4,200	1,050	262	66	29	16	10
Diameter(m)	6.4	12.8	25.6	51.2	76.8	102.4	128



Specifications subject to change without notice.

11/25/2024