

GEMINI

CM 560Z



Main Features

With zoom and strobe functions

Light Source: Beam: 5 x 60W RGBW LED

Strobe: 36 x 18W CW LED

Beam Mode: 5 LEDs with pixel control

Strobe Mode: 18 zones individually controlled

Outstanding color effects

Motorized linear focus system

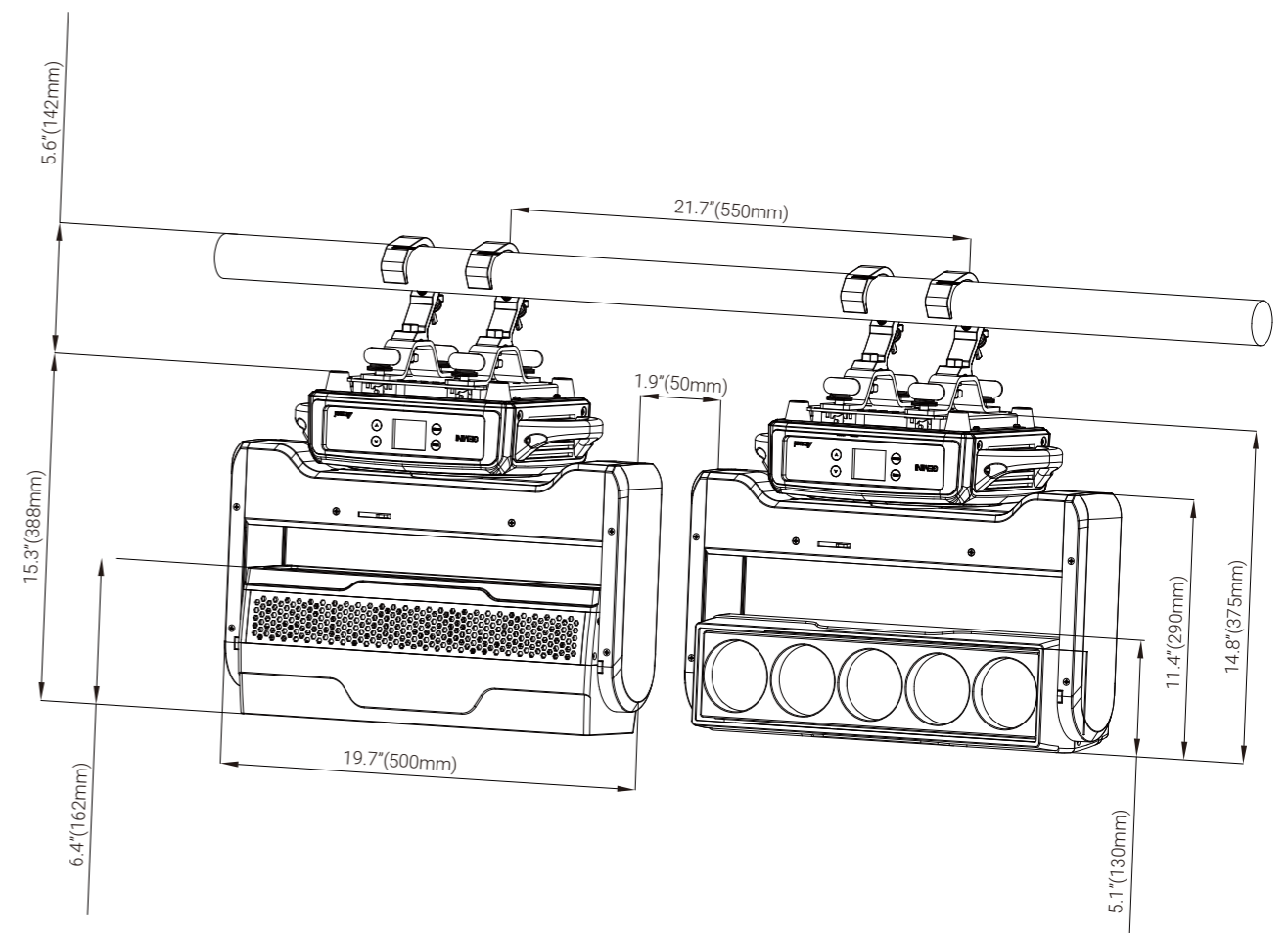
Outstanding strobe effect with variable speed

Smooth dimming 0-100%

Supplied with 2 omega brackets (optional with 2 foldable fixed clamps)

Flicker free operation

Technical Specifications



Light Source

Beam: **5 x 60W RGBW LED**
Strobe: **36 X 18W CW LED**

Beam/Wash Batten

Beam Angle: **2.8° - 31°**
Field Angle: **5°-46°**

Total Lumen Output of Fixture

41,000 lumens



Light Source

- Light Source:
- Beam: 5 x 60W RGBW LED
- Strobe: 36 X 18W CW LED
- Total Lumen Output of Fixture: 41,000 lumens
- Life Expectancy: 20,000 hours* manufacturer specification

Optical System

- Advanced optical system for sharp beams and wash effects
- High-efficiency zoom optical system, ratio 11:1
- Beam/Wash Batten:
- Beam Angle: 2.8°- 31°
- Field Angle: 5°-46°
- Strobe:
- Beam Angle: 96°
- Field Angle: 116°

Other Effects

- Outstanding color mixing effects
- Motorized linear focus system
- Outstanding strobe effect with variable speed
- Smooth dimming 0-100%

Pan & Tilt

- Moving-head operated with 16 bit resolution
- Pan Movement: Infinite
- Tilt Movement: Infinite
- Automatic Pan Tilt position correction
- Fixation: Pan/Tilt lock

Control

- 4 touch button control panel
- Display: LCD display
- Control Mode: DMX512, RDM, Art-Net, sACN
- DMX Protocol Modes: 7
- Channel Mode: 23/25/27/35+/55/58/70
- Firmware Upgrade: Upgrade via DMX link

Electrical and Connections

- Power supply with electronic auto-ranging
- Input Voltage Range: 100-240Vac; 50/60Hz
- Total Power Consumption: 1,240W
- Beam Power Consumption: 460W
- Strobe Power Consumption: 820W
- Power In/Out: ower connector in/out (TRUE1 type)
- Data in/out: 3-pin or 5-pin XLR, RJ45

Physical Information

- Fixture Dimensions:
500 x 130 x 420 mm (19.7" x 5.1" x 16.5")
- Weight: 19.5 kg (43.0 lbs)

Packing Information

- Flight Case Dimensions:
1,110 x 580 x 655 mm (43.7" x 22.8" x 25.8")
- Weight: 123 kg (271.2 lbs) (four-pack loader case)

Work Environment

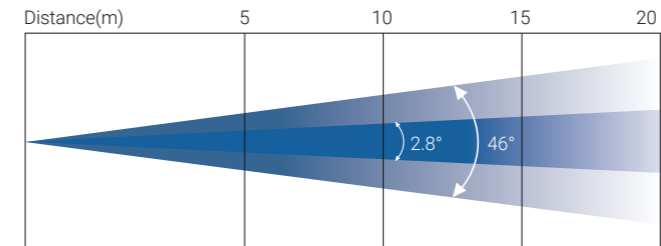
- Maximum Ambient Temperature: 45°C
- Maximum Surface Temperature: 65°C
- Minimum Operating Temperature: 0°C
- Protection Rating: IP20

Installation

- Horizontal or vertical mounting
- Universal working positions
- 2 omega brackets (optional with 2 foldable fixed clamps)
- Safety cable attachment point

Photometric (Images)

WASH:



Distance(m)	5	10	15	20
2.8° Lux	16,754	4,189	1,862	1,047
Diameter(m)	0.2	0.4	0.6	0.8
46° Lux	552	138	61	38
Diameter(m)	3.3	6.5	9.8	13

Strobe:

