

PULSAR S2

CM S2



Light Source

Beam/Wash Section: **4 x 60W RGBW LED**

Pixel/Strobe Section: **96 x 3W CW LED**
108 x 0.5W RGB LED

10W Beam Section: **9 x 10W CW LED**

Total Lumen Output of Fixture

Beam/Wash Section: **4,400 lumens**

Pixel Section (RGB): **2,200 lumens**

Strobe Section(CW): **18,000 lumens**

10W Beam Section: **1,300 lumens**

Diameter of Front Lens

70 x 70 mm

Acme

PULSAR S2



Main Features

With zoom and strobe function

Beam/Wash Section: 4 x 60W RGBW LED (individual pixel control)

Strobe Section: 96 x 3W CW LED (divided into 24 controllable zones)

108 x 0.5W RGB LEDs (divided into 9 controllable zones)

10W Beam Section: 9 x 10W CW LED (individual pixel control)

Outstanding strobe effect with variable speed

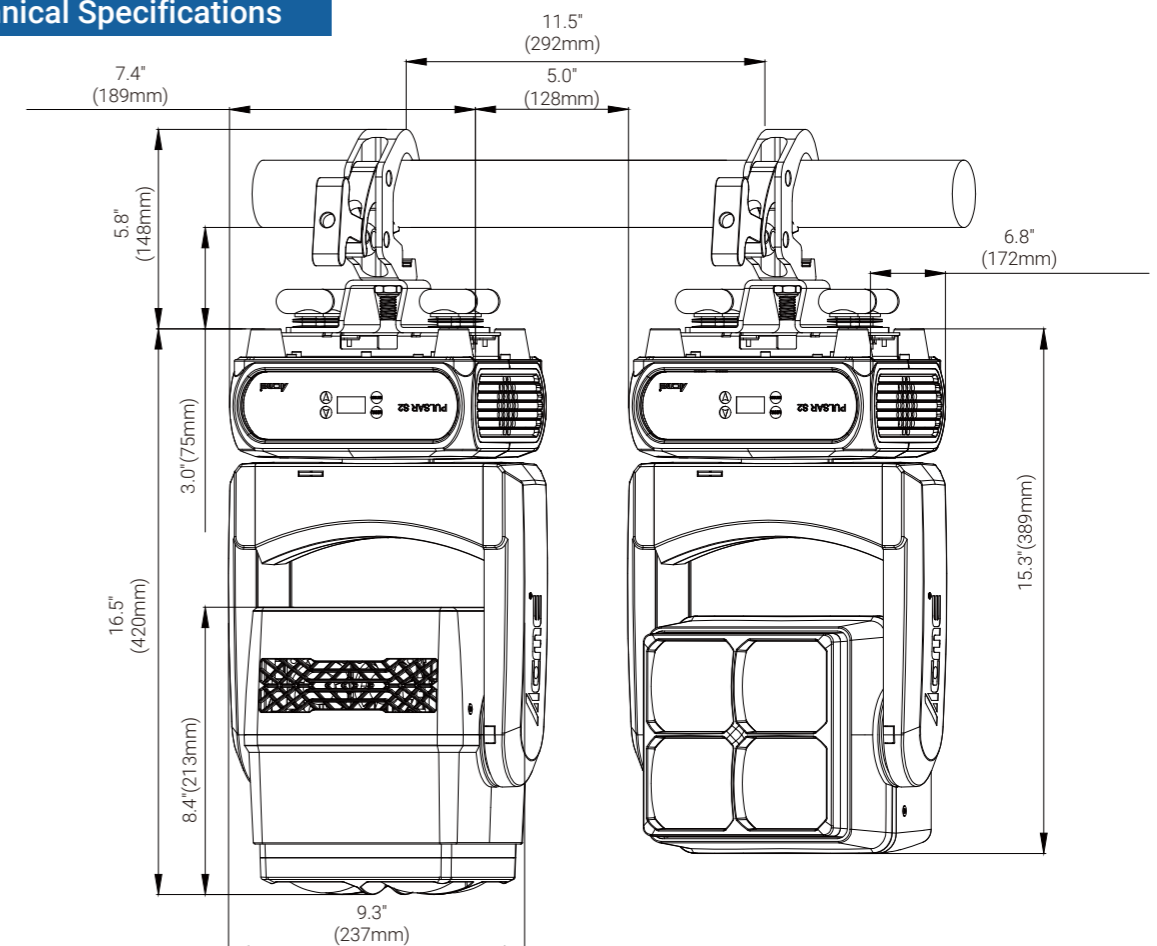
Motorized liner focus system

Smooth dimming 0-100%

Variable CTO: 2,500K-8,000K

Build-in color macro effect

Technical Specifications



Light Source

- Light Source:
 - Beam/Wash Section: 4 x 60W RGBW LED
 - Pixel/Strobe Section: 96 x 3W CW LED
 - 108 x 0.5W RGB LED
 - 10W Beam Section: 9 X 10W CW LED
 - Total Lumen Output of Fixture:
 - Beam/Wash Section: 4,400 lumens
 - Pixel Section (RGB): 2,200 lumens
 - Strobe Section (CW): 18,000 lumens
 - 10W Beam Section: 1,300 lumens
 - Life Expectancy: 20,000 hours*
- *Source manufacturer specification

Optical System

- Zoom Range:
 - Beam / Wash section: Beam angle: 2.5°-28°
 - Field angle: 4.4°-36°
- Pixel / Strobe section: Pixel section: 115°
- Strobe section: 108°
- 10W Beam section: 3.5°
- Diameter of Front Lens: 70 x 70 mm

Colors

- Variable CTO: 2,500K-8,000K



Other Effects

- Build-in color macro effect
- Motorized liner focus system
- Outstanding strobe effect with variable speed
- Smooth dimming 0-100%

Pan & Tilt

- Pan Movement: Infinite
- Tilt Movement: Infinite
- Automatic Pan/Tilt position correction
- Moving-head operated with 16 bit resolution

Control

- 4 touch button control panel
- Display: OLED display
- Protocols: DMX512, RDM, Art-Net, sACN
- DMX Protocol Modes: 4
- Control Channels: 24/39/97/21+
- Firmware Upgrade: Upgrade via DMX link

Electrical and Connectors

- Input voltage range: 100-240Vac; 50/60Hz
- Power Consumption: 600W
- Power In/Out: Power connector in/out (TRUE1 type)
- Data In/Out: 3 pin or 5 pin XLR in/out, Art-Net in/out

Physical Information

- Fixture Dimensions: 237 x 176 x 383 mm (9.3" x 6.9" x 15.1")
- Weight: 11.0 kg (24.3 lbs)

Packing Information

- Flight Case Dimensions 1: 1,055 x 580 x 640 mm (41.5" x 22.8" x 25.2")
- Weight: 115.0 kg (253.5 lbs) (eight-pack loader case)
- Flight Case Dimensions 2: 365 x 265 x 480 mm (14.4" x 10.4" x 18.9")
- Weight: 12.0 kg (26.5 lbs) (six-pack loader case)

Work Environment

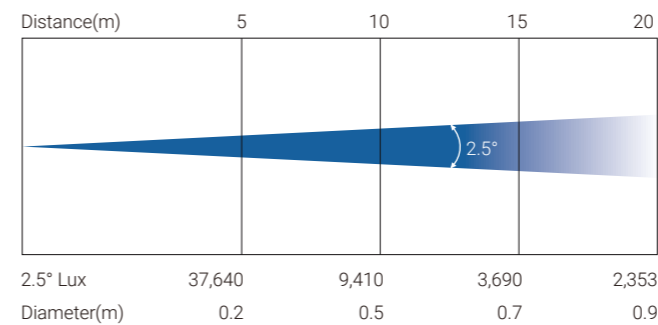
- Maximum Ambient Temperature: 40°C
- Minimum Operating Temperature: 0°C
- Maximum Surface Temperature: 65°C
- Protection Rating: IP20

Installation

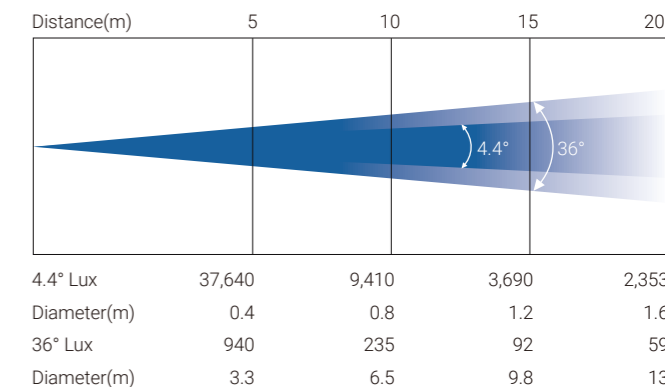
- Horizontally or vertically mounting
- Universal working position
- 1 omega brackets
- Safety cable attachment point

Photometric (Images)

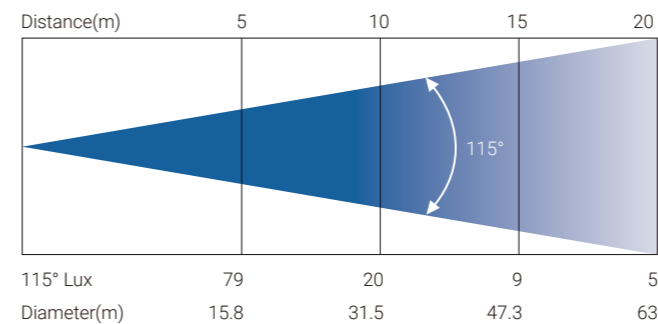
Beam Angle (RGBW) :



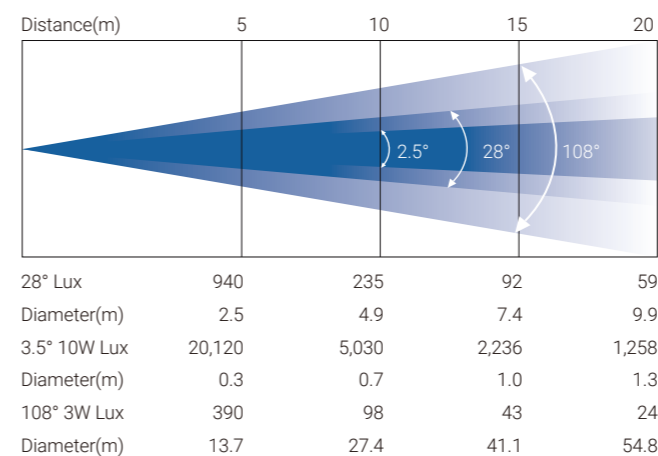
Field angle (RGBW) :



Beam Angle (RGB) :



Beam Angle (W) :



Specifications subject to change without notice.
11/28/2024