

SUNRISE

XA-1200 BW



Light Source
1,000W LED Engine

Diameter of Frontal Lens
200 mm

Total Lumen Output of Fixture
60,000 lumens

Zoom Range
5° - 72°

Acme

SUNRISE



Main Features

LED engine comprised of 1,000W LED

200 mm diameter frontal lens

Zoom Range: 5°-72°

Total Lumen Output of Fixture: 60,000 lumens

Color Temperature Output of Fixture: 6,500K

Standard Mode: Ra>70, HCRI Mode: Ra>90

Switch to high CRI mode with high CRI filter

Linear CMY color mixing

Variable CTO ranging from 2,700K-6,500K

Outstanding strobe effect with variable speed

2 Color Wheels (both with rainbow effect):

Color Wheel 1: 5 colors + CRI, plus open

Color Wheel 2: 6 colors, plus open

Filter effect: Dual diffusion filter with patented design,

made from new material, can achieve 0-100% linear

softening, making the spot larger and more uniform

4 rotating full blackout framing shutter blades with

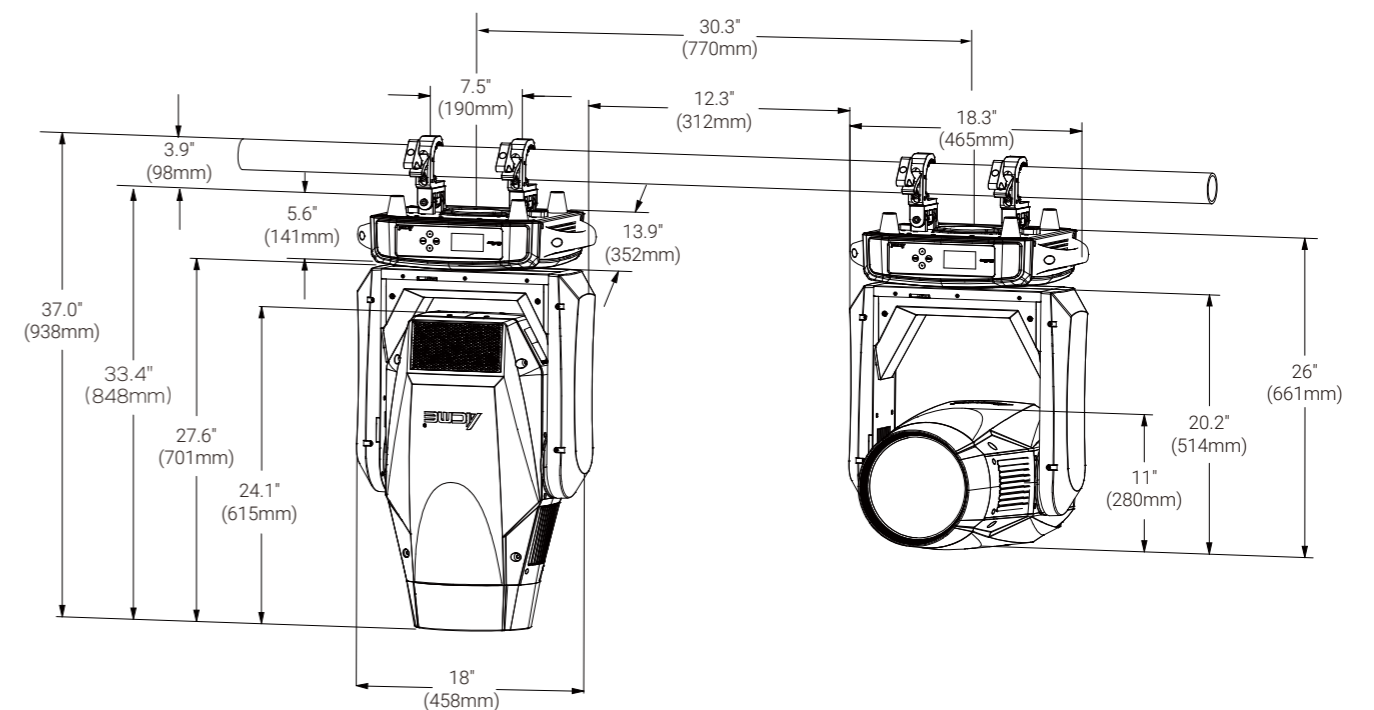
individually controllable; ±45° rotation of the framing system module

Smooth dimming 0-100%

Flicker-free management

IP66 rated

Technical Specifications



Light Source

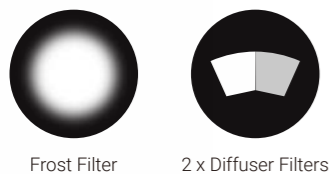
- Light Source: 1,000W LED engine
- Color Temperature Output of Fixture: 6,500K
- Total Lumen Output of Fixture: 60,000 lumens
- Life expectancy: 20,000 hours*

*Source manufacturer specification

Optical System

- Zoom Range: 5°-72°
- High-efficiency zoom optical system (ratio 1:14.4)
- Standard Mode: Ra>70, HCRI Mode: Ra>90
- Diameter of Frontal Lens: 200 mm

Frost Filter / Diffuser Filter



Colors

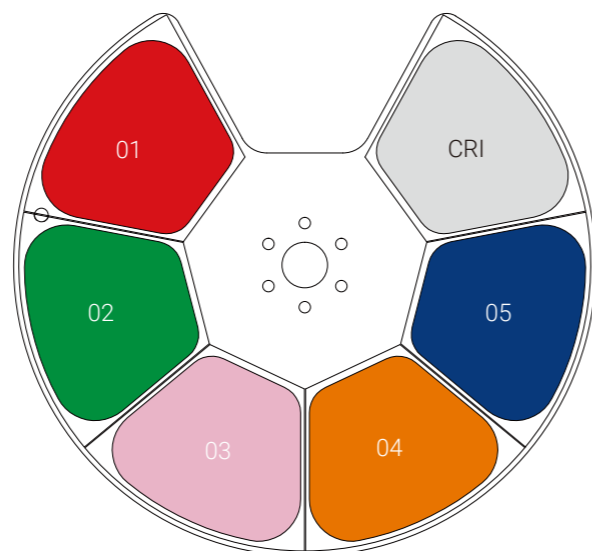
- Linear CMY color mixing



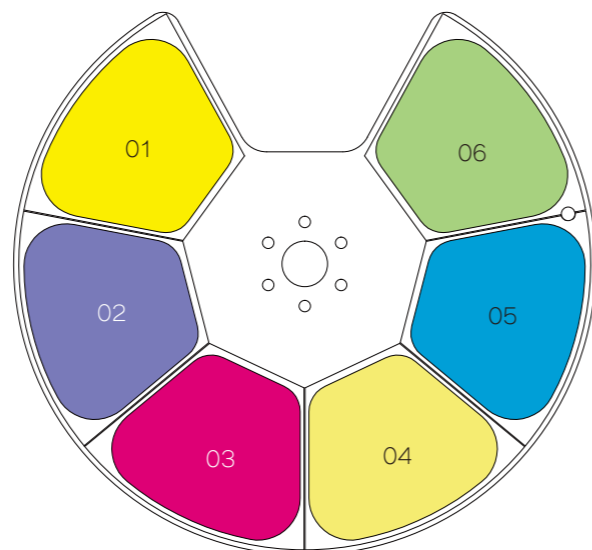
- Linear CTO Color Correction: 2,700K-6,500K



- 2 color wheels: both with rainbow effect
- Color Wheel 1: 5 colors plus open
- Color Wheel 2: 6 colors plus open



Color Wheel-1



Color Wheel-2

Framing System

- Shutter Blades: 4 blades, each with separate movement and full blackout
- Rotation: ±45° of the complete framing system

Other Effects

- Outstanding strobe effect with variable speed
- Smooth dimming 0-100%
- Switch to high CRI mode with high CRI filter
- Flicker free management



Framing Module

Linear Iris

Pan & Tilt

- Pan Movement: 540°
- Tilt Movement: 270°
- Automatic Pan/Tilt position correction
- Resolution: 16 bit
- Dimmer: 8-bit or 16-bit
- Fixation: Pan/Tilt lock

Control

- 4 touch button control panel
- Display: LCD display
- Protocols: DMX512, RDM, Art-Net, sACN
- DMX Protocol modes: 3
- Control channels: 25/29/34/35
- Firmware Upgrade: Upgrade via DMX link or USB disk

Electrical and Connectors

- Power supply with electronic auto-ranging
- Input Voltage Range: 100-240Vac; 50/60Hz
- Power Consumption: 1,535W
- Power In/Out: Power connector in/out
- Data In/Out: 3-pin or 5-pin XLR, RJ45 connector

Physical Information

- Fixture Dimensions:
465 x 352 x 848 mm (18.3" x 19.8" x 33.4")
- Weight: 44.5 kg (98.1 lbs)

Packing Information

- Flight Case Dimensions:
715 x 595 x 905 mm (28.2" x 23.4" x 30.6")
- Weight:
Standard:
G.W.: 92 kg (202.8 lbs) (one-pack loader case)
- Carton Dimensions:
710 x 580 x 790 mm (28.0" x 22.8" x 31.1")
- Weight:
G.W.: 52.5 kg (115.7 lbs) (one-pack loader carton)

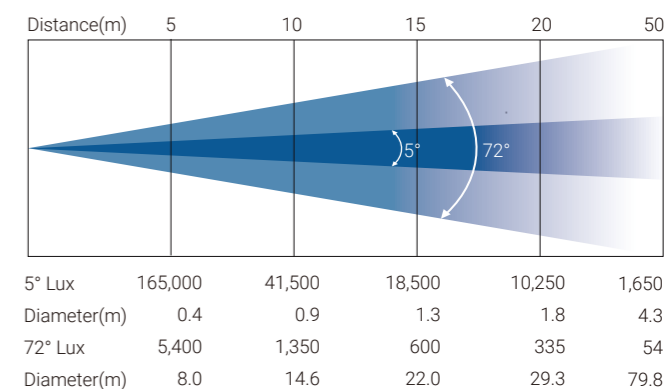
Work Environment

- Maximum Ambient Temperature: 40°C
- Minimum Operating Temperature: 0°C
- Maximum Surface Temperature: 65°C
- Protection Rating: IP20

Installation

- Horizontal or vertical mounting
- Universal working position
- 2 pairs of 1/4-turn locking points under the base
- 2 pairs of M12 1/4-turn locking points for removable clamp for 70 mm truss
- 2 fixed foldable clamps for 50 mm truss
- Safety cable attachment point

Photometric (Images)



Specifications subject to change without notice.

11/29/2024