

# O<sup>4</sup>xozone

CM-800Z IP



Light Source  
**Osram19 x 40W RGBW LED**

Zoom Range  
**6°-40°**

Protection Rating  
**IP66**



## Main Features

### Powerful beam and wash effects

Light source: Osram19 x 40W RGBW LED  
Zoom range: 6-40°

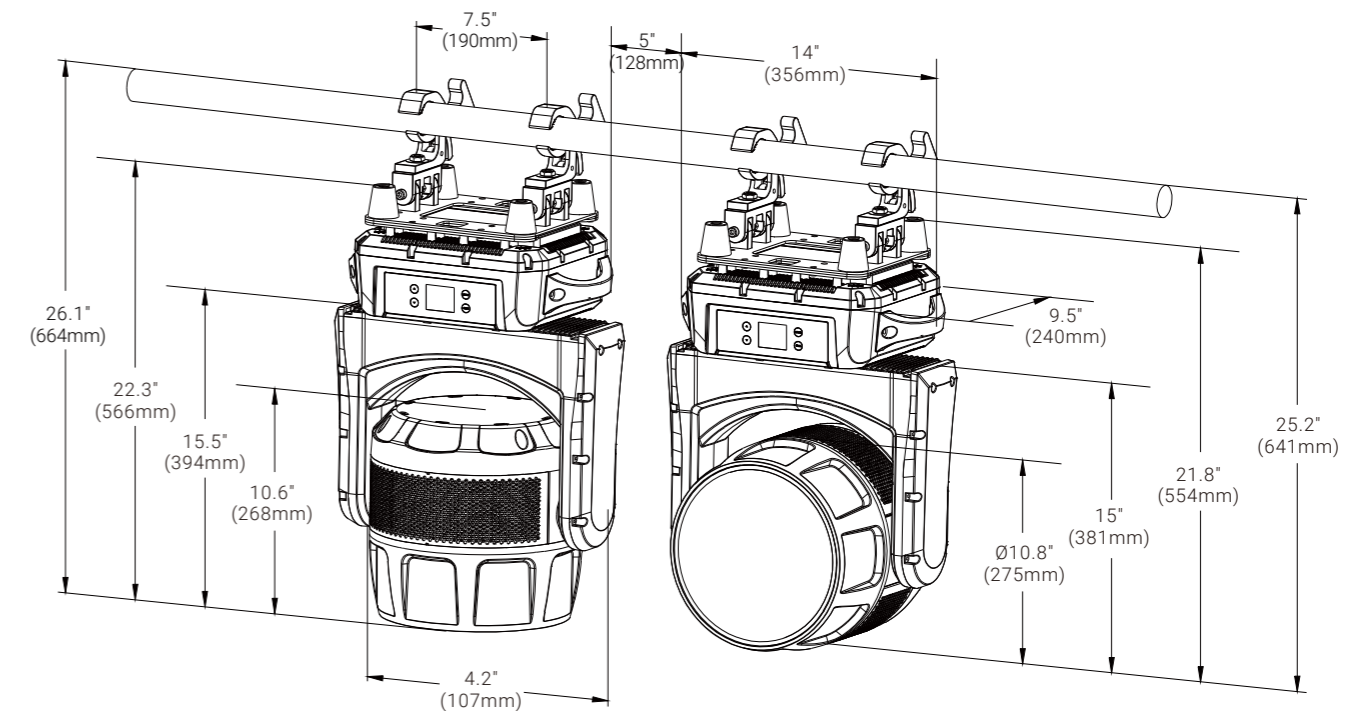
### Variable CTO: 2,500K-8,000K

Individual pixel control  
Built-in color macro effect

### Outstanding strobe effect with variable speed

Smooth dimming from 0-100%  
Fast and silent operation  
Flicker-free management  
Dust-proof and oil-proof design  
IP66 rated, can be outdoor use all year round

## Technical Specifications



## Light Source

- Light Source: Osram19 x 40W RGBW LED
- Life Expectancy: 30,000 hours\*

\*Source manufacturer specification

## Optical System

- Advanced optical system for clear, wide-ranging beam & wash effects
- High-efficiency zoom optical system (ratio 1:6.7)
- Zoom Range: 6-40°

## Colors

- Variable CTO: 2,500K - 8,000K



## Other Effects

- Built-in color macro effect
- Motorized linear focus system
- Outstanding strobe effect with variable speed
- Smooth dimming from 0-100%
- Fast and silent operation
- Flicker free management
- Dust-proof and oil-proof design

## Pan & Tilt

- Pan movement: 540°
- Tilt movement: 240°
- Automatic Pan/Tilt position correction
- Moving-head operated with 16 bit resolution
- Dimmer: 16 bit

## Control

- 4 touch button control panel
- Display: LCD Display
- Protocols: DMX512, RDM
- DMX Protocol modes: 3
- Control Channels: 17/21/86
- Firmware Upgrade: Upgrade via DMX link or USB disk

## Electrical and Connectors

- Power supply with electronic auto-ranging
- Input Voltage Range: 100-240Vac; 50/60Hz
- Power Consumption: 990W
- Power In/Out: Waterproof power connector in/out (TRUE1 type)
- Data In/Out: 3-pin or 5-pin IP XLR

## Physical Information

- Fixture Dimensions:  
565 x 386 x 284 mm (22.4" x 11.3" x 15.1")
- Weight: 26.0 kg (57.3 lbs)

## Packing Information

- Flight Case Dimensions:  
800 x 520 x 805 mm(31.5" x 20.5" x 31.7")
- Weight: 93.2 kg (205.5 lbs) (two-pack loader case)

## Work Environment

- Maximum ambient temperature: 40°C
- Minimum operating temperature: -10°C
- Maximum surface temperature: 75°C
- Protection Rating: IP66

## Installation

- 2 x Fixed foldable clamps for 50mm truss
- Safety Rope Hole

## Photometric (Images)

