

Diamonds II

LS 1010 RGB II



Light Source
10W RGB laser module

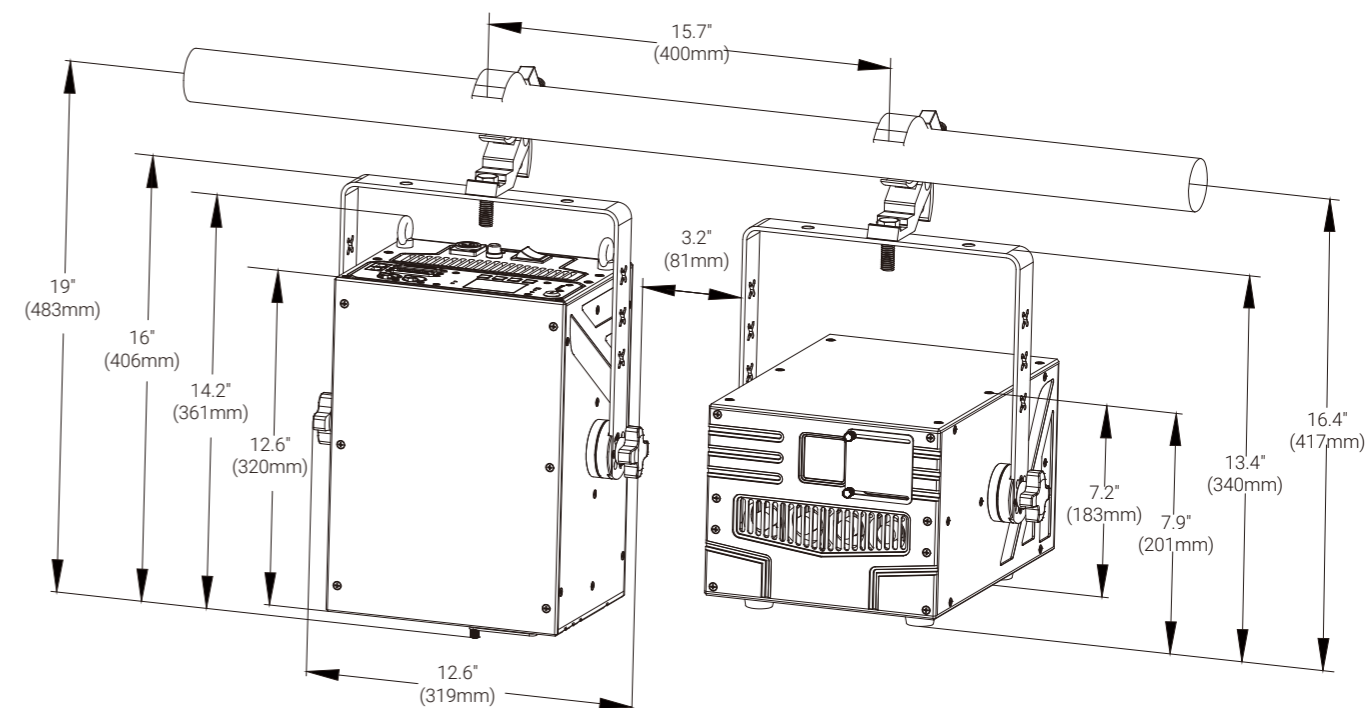
Beam Angle
X/Y scanning angle $\pm 30^\circ$



Main Features

- Light source: 10W RGB laser module
- Effects: 50K optical scanner for beam, various built-in laser gobos and animation
- Compatible with Laser Show Software: Pangolin, Phoenix, Mamba
- Flicker free management
- Dust-proof and oil-proof design

Technical Specifications



Light Source

- Light Source: 10W RGB laser module
- Beam Angle: X/Y scanning angle $\pm 30^\circ$

Control

- 4 touch button control panel
- Display: OLED display
- Protocols: DMX512, ILDA, Sound Active, RDM, SD card control
- DMX Protocol modes: 2
- Control channels: 27/52
- Firmware Upgrade: Upgrade via SD card

Electrical and Connectors

- Power supply with electronic auto-ranging
- Input Voltage Range: 100-240Vac; 50/60Hz
- Power Consumption: 185W
- Power In/Out: Power connector in (TRUE1 type)
- Data In/Out: 3-pin or 5-pin XLR

Physical Information

- Fixture Dimensions:
183 x 320 x 230 mm (7.2" x 12.6" x 9.1")
- Weight: 13.5 kg (29.8 lbs)

Work Environment

- Maximum Ambient Temperature: 40°C
- Minimum Operating Temperature: 0°C
- Maximum Surface Temperature: 65°C

Installation

- Horizontally or vertically mounting
- Universal working position
- The feet support with 1 locking point
- Safety cable attachment point