

Ellipsoidal 40 DMX

E-40D CW / WW



Light Source
1 x 36W CW/WW LED

ACME

ELLIPSOIDAL 40 DMX



Main Features

Light source: 1 x 36W CW/WW LED

Beam Angle: 19°/26°/36°/50°

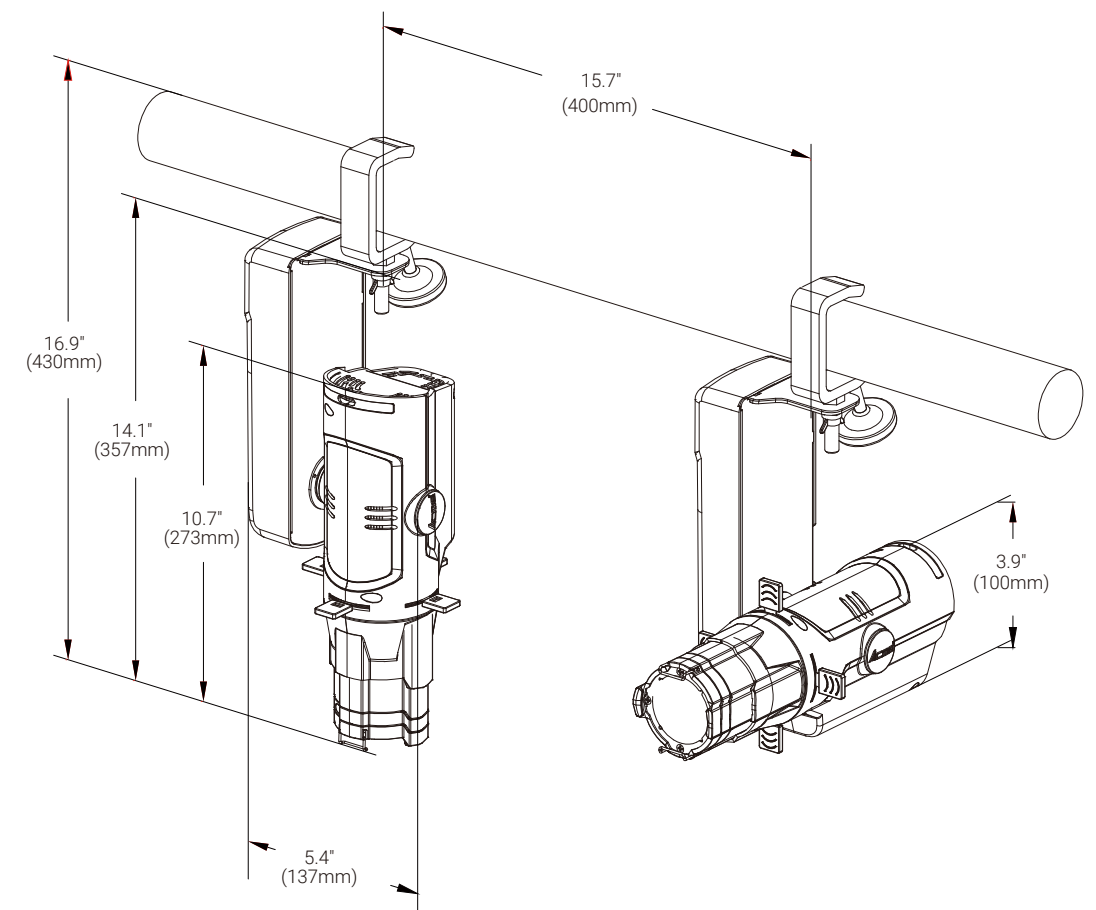
Color Temperature Output of Fixture:

5,600±150K (CW)

3,200±150K (WW)

Flicker free management

Technical Specifications



Light Source

- Light Source: 1 x 36W CW/WW LED
- Color Temperature Output of Fixture:
5,600±150K (CW)
3,200±150K (WW)

Optical System

- Beam Angle: 19°/26°/36°/50°
- CRI: WW≥95, CW≥95
- CQS: WW≥95, CW≥95
- TLCI: WW≥95, CW≥95

Control

- 4 touch button control panel
- Display: LCD display
- Protocols: DMX512, RDM
- DMX Protocol Modes: 2
- Control Channels: 1/2
- Firmware Upgrade: Upgrade via DMX link

Electrical and Connectors

- Input Voltage Range: 100-240Vac; 50/60Hz
- Power Consumption: 32W
- Power In/Out: Power wire
- Data In/Out: 3-pin or 5-pin XLR

Physical Information

- Fixture Dimensions:
273 x 158 x 100 mm (10.7" x 6.2" x 3.9")
- Weight: 2.0 kg (4.4 lbs)

Work Environment

- Maximum Ambient Temperature: 40°C
- Maximum Surface Temperature: 65°C
- Minimum Operating Temperature: 0°C
- Protection Rating: IP20

Installation

- Horizontally or vertically mounting
- Universal working position
- The feet support with 1 locking point
- Safety cable attachment point



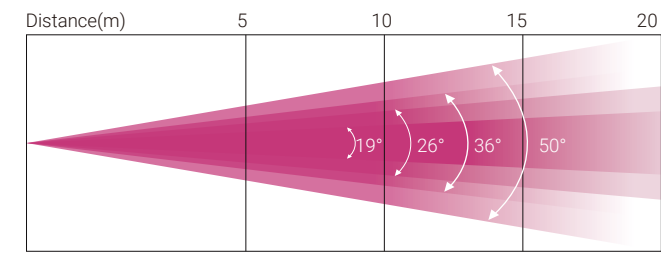
(ELLIPSOIDAL 40 DMX CW)



(ELLIPSOIDAL 40 DMX WW)

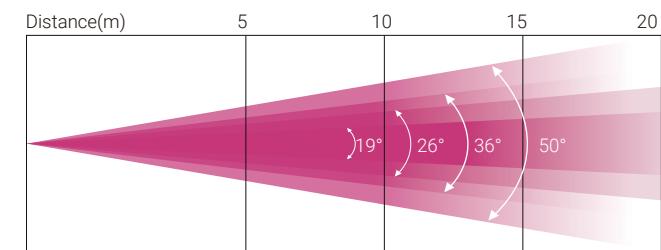
Photometric (Images)

CW:



19° Lux	2,920	730	322	180
Diameter(m)	0.7	1.3	2.0	2.7
26° Lux	1,950	488	215	121
Diameter(m)	0.9	1.9	2.8	3.7
36° Lux	1,170	290	130	70
Diameter(m)	1.3	2.6	3.9	5.2
50° Lux	596	150	66	37
Diameter(m)	1.9	3.7	5.6	7.5

WW:



19° Lux	2,758	680	310	170
Diameter(m)	0.7	1.3	2.0	2.7
26° Lux	1,842	461	205	115
Diameter(m)	0.9	1.9	2.8	3.7
36° Lux	1,010	250	112	62
Diameter(m)	1.3	2.6	3.9	5.2
50° Lux	517	130	56	32
Diameter(m)	1.9	3.7	5.6	7.5

