

SUPERNOVA

XA 2000 BSWF IP



Light Source

1,800W LED

Diameter of Front Lens

225 mm

Total Lumen Output of Fixture

65,000 lumens

Zoom Range

4°-48°

Protection Rating

IP66

Acme

SUPERNOVA



Main Features

1,800W LED engine

Diameter of Front Lens: 225 mm

Zoom Range: 4°-48°

Total Lumen Output of Fixture: 65,000 lumens

Color Temperature Output of Fixture: 6,700K

Standard Mode: Ra \geq 72, HCRI Mode: Ra \geq 90

Linear CMY color mixing

Variable CTO ranging from 2,700K-6,700K

2 Color Wheels, 2 Rotating Gobo Wheels

Color Wheels 1: 5 colors, plus open

Color Wheels 2: 4 colors, plus open

Rotating Gobo Wheels 1: 6 gobos, plus open

Rotating Gobo Wheels 2: 6 gobos, plus open

1 x 4-facet circular prism, 1 x 4-facet linear prism,
rotatable in both directions

Animation Wheel:

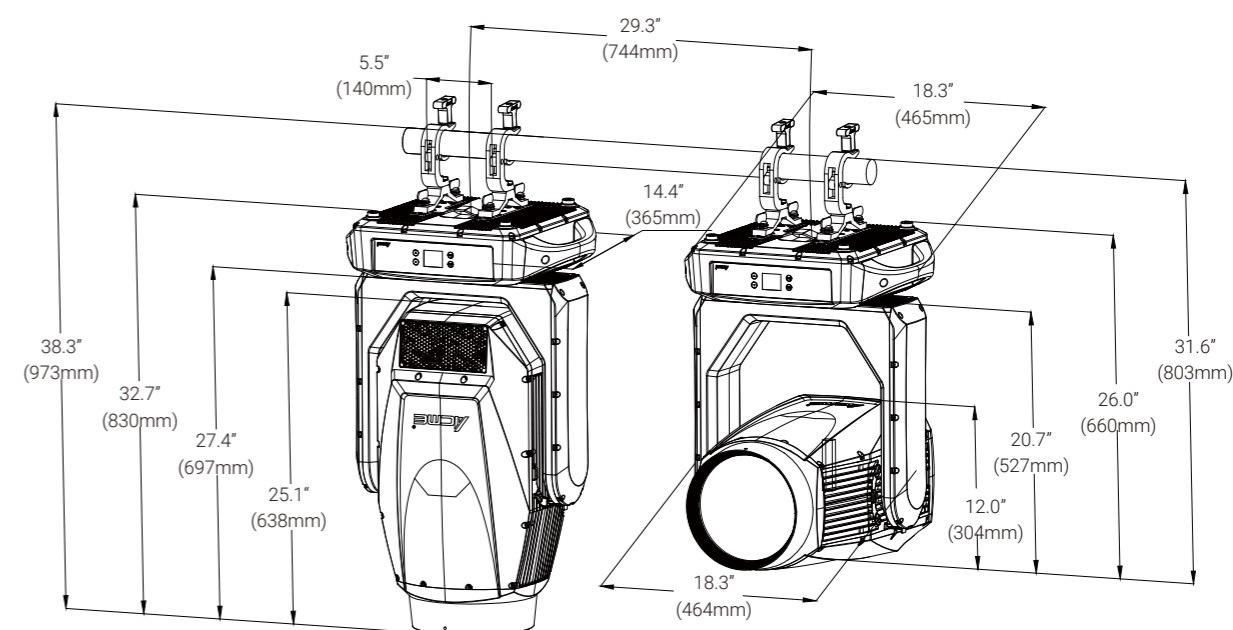
A graphic animation wheel with continuous rotation in both directions, used alone or in combination with gobos to create the splendid water wave effect, and can be changed into other wheels

1 combinable light frost filter and 1 combinable medium frost filter

Motorized linear iris

4 Rotating full blackout framing shutter blades with individual positionable; Rotation of the framing system module: $\pm 60^\circ$

Technical Specifications



Light Source

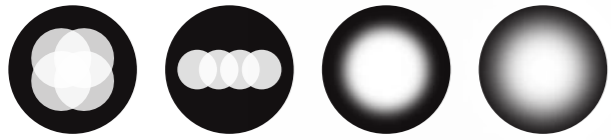
- Light Source: 1,800W LED engine
- Color Temperature Output of Fixture: 6,700K
- Total Lumen Output of Fixture: 65,000 lumens
- Life Expectancy: 20,000 hours*

*Source manufacturer specification

Optical System

- Zoom Range: 4°-48°
- Diameter of Front Lens: 225 mm
- Standard Mode: Ra≥72, HCRI Mode: Ra≥90

Prism / Frost Filter



4-Facet Circular Prism 4-Facet Linear Prism Light Frost Filter Medium Frost Filter

Colors

- Smooth CMY color mixing

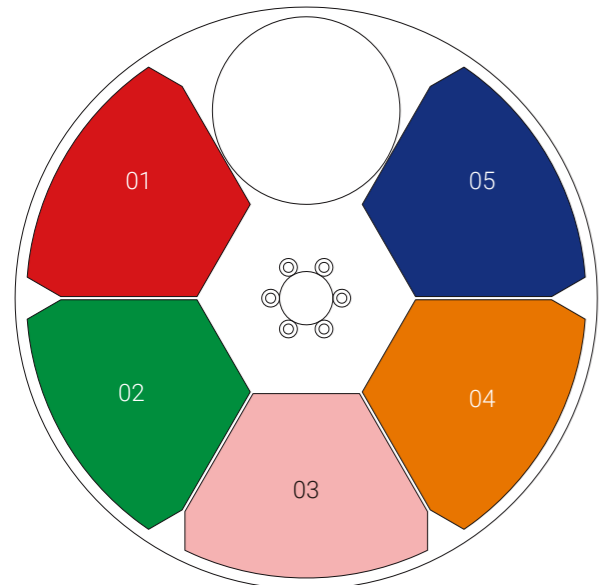


- Linear CTO Color Correction: 2,700K-6,700K



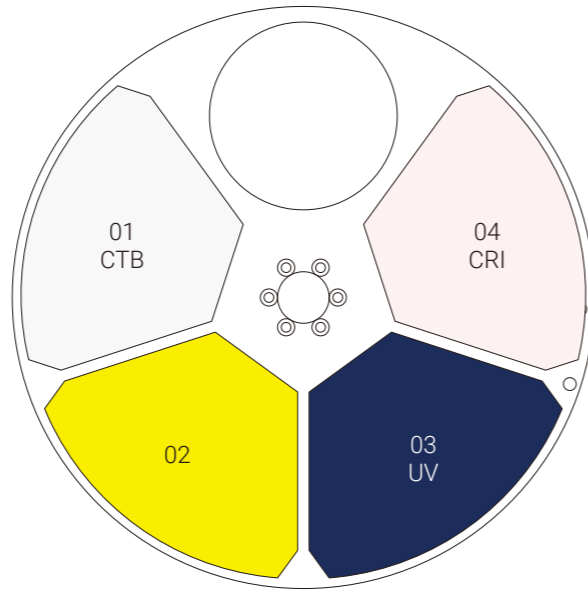
- 2 Color Wheels:

Color Wheel 1: 5 colors, plus open;



Color Wheel 1

Color Wheel 2: 4 colors, plus open



Color Wheel 2

Rotating Gobos

- 2 Rotating Gobo Wheels:

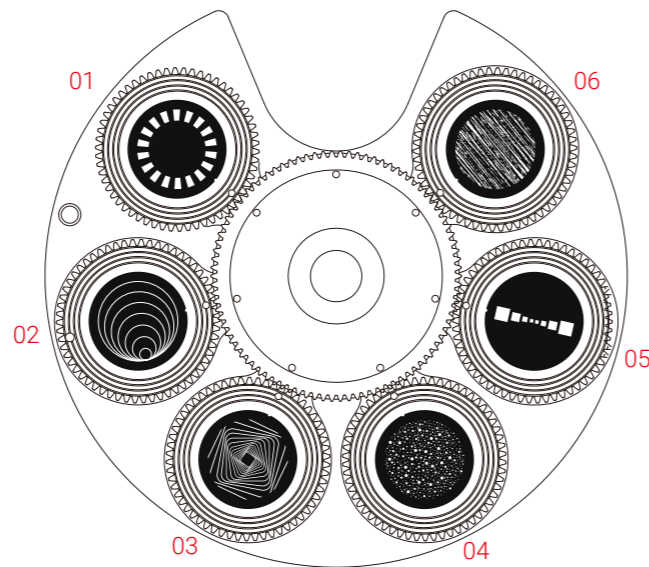
Rotating Gobo Wheel 1: 6 gobos, plus open

Rotating Gobo Wheel 2: 6 gobos, plus open

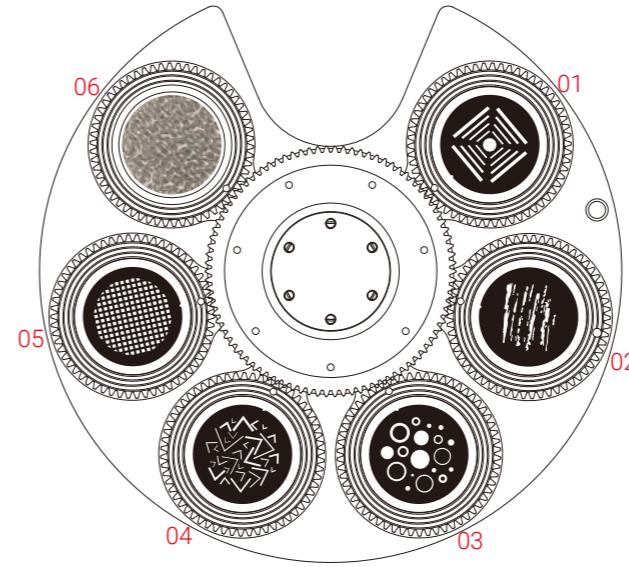
Gobo Diameter 1: 34 mm, Image Diameter 1: 26.5 mm

Gobo Diameter 2: 34 mm, Image Diameter 2: 27.5 mm

Gobo Thickness: 1.1 mm



Rotating Gobo Wheel 1



Rotating Gobo Wheel 2

Framing System

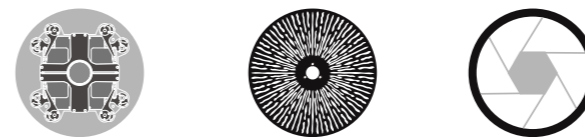
- Shutter Blades: 4 blades, each with separate movement and full blackout
- Rotation: ±60° of the complete framing system

Animation Wheel

- A graphic animation wheel with continuous rotation in both directions, used alone or in combination with gobos to create the splendid water wave effect, and can be changed into other wheels

Other Effects

- Outstanding strobe effect with variable speed
- Motorized linear iris



Framing Module Animation Wheel Linear Iris

Pan & Tilt

- Pan Movement: 540°
- Tilt Movement: 270°
- Automatic Pan/Tilt position correction
- Moving-head operated with either 16 bit resolution
- Fixation: Pan/ Tilt lock

Control

- 4 touch button control panel
- Display: LCD display
- Protocols: DMX512, RDM, Art-Net, sACN
- DMX Protocol Modes: 4
- Control Channels: 23/32/34/43
- Firmware Upgrade: Upgrade via DMX link or USB disk

Electrical and Connectors

- Input Voltage Range: **180-240Vac; 50/60Hz**
- Power Consumption: 2,265W
- Power In/Out: Waterproof power connector in
- Data In/Out: 3-pin or 5-pin waterproof XLR, RJ45

Physical Information

- Fixture Dimensions: 465 x 365 x 830 mm (18.3" x 14.4" x 32.6")
- Weight: 52.5 kg (115.7 lbs)

Packing Information

- Flight Case Dimensions: 812 x 610 x 910 mm (32.0" x 24.0" x 35.8")
- Weight: Standard: G.W.: 107 kg (235.9 lbs) (one-pack loader case)
- North American Standard: G.W.: 113.3 kg (249.8 lbs) (one-pack loader case)
- Carton Dimensions: 780 x 575 x 805 mm (30.7" x 22.6" x 31.7")
- Weight: 65.0 kg (143.3 lbs) (one-pack loader carton)

Work Environment

- Maximum Ambient Temperature: 40°C
- Minimum Operating Temperature: -10°C
- Maximum Surface Temperature: 70°C
- Protection Rating: IP66

Installation

- Horizontally or vertically mounting
- Universal working position
- 2 omega brackets
- Safety cable attachment point

Photometric (Images)

| Distance(m) | 5 | 10 | 15 | 20 | 50 |
|-------------|---------|--------|--------|-------|-------|
| 4° Lux | 158,000 | 39,500 | 17,555 | 9,875 | 1,580 |
| Diameter(m) | 0.4 | 0.7 | 1.0 | 1.4 | 3.5 |
| 48° Lux | 6,640 | 1,660 | 737 | 415 | 66.4 |
| Diameter(m) | 4.5 | 8.9 | 13.3 | 17.8 | 44.5 |



Specifications subject to change without notice. 12/03/2024