

LIGHT PANEL TV 2000

LP-F2000 WW/CW/VW



Light Source

480 CW LED (CW)

480 WW LED (WW)

480 CW LED + 480 WW LED (VW)

Beam Angle

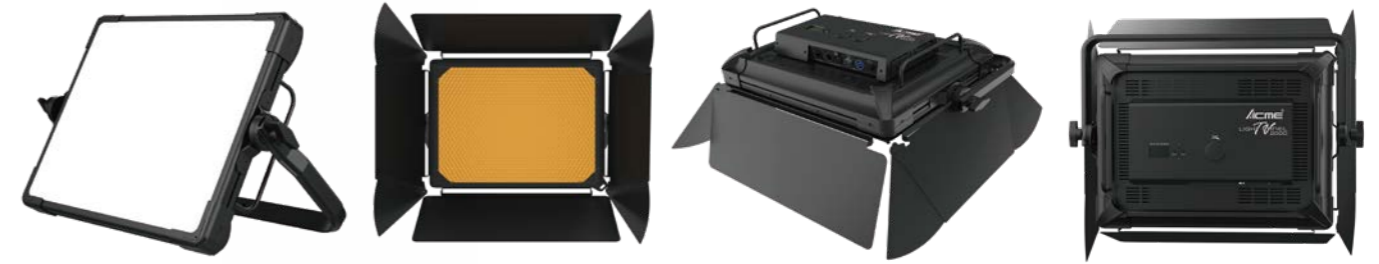
114°

Field Angle:

162°

Acme

TV LIGHT PANEL 2000



Main Features

Light source:

480 CW LED (CW)

480 WW LED (WW)

480 CW LED + 480 WW LED (VW)

Color Temperature Output of Fixture:

5,600±250K (CW)

3,200±150K (WW)

3,200±150K~5,600±250K (VW)

Beam Angle: 114°

Field Angle: 162°

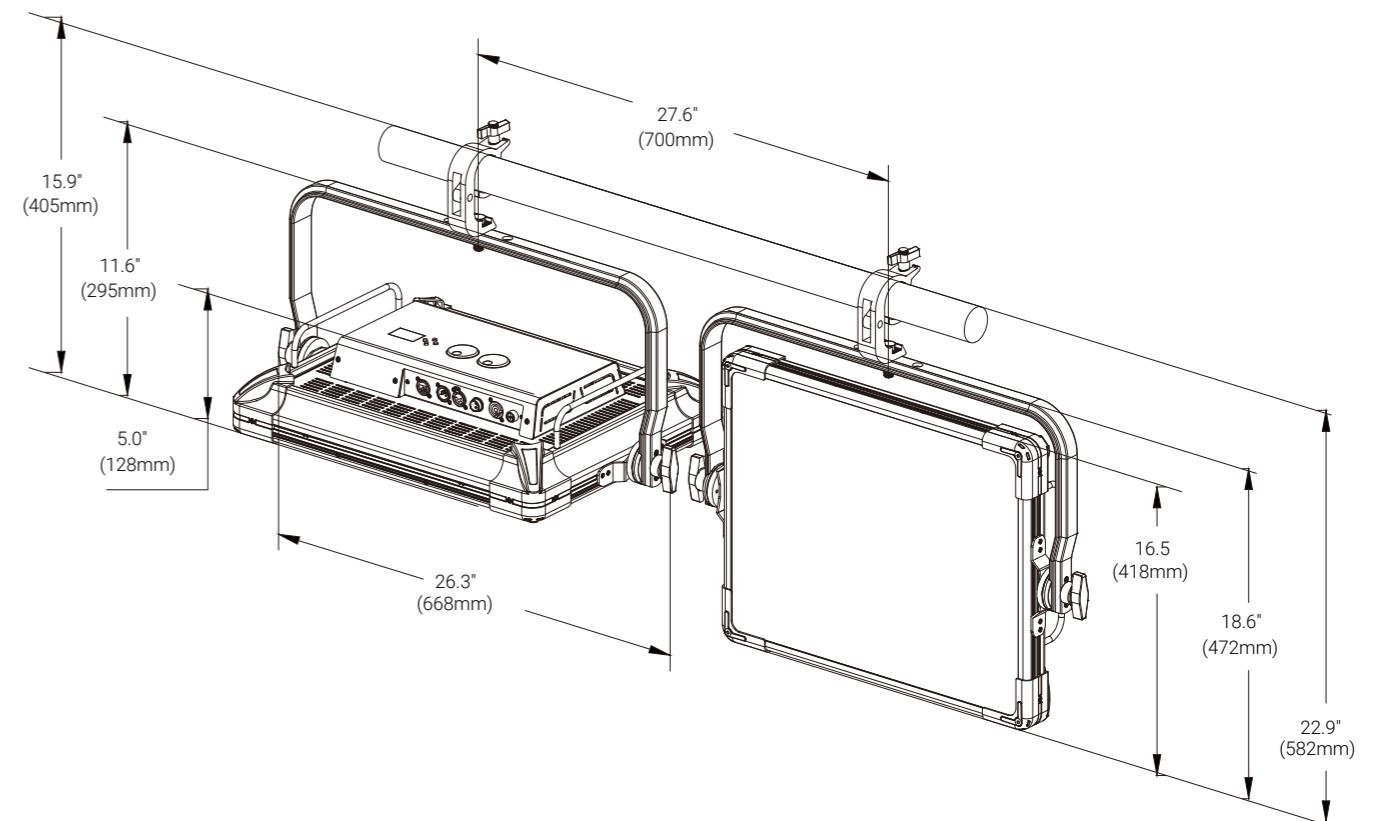
CRI: WW≥95, CW≥94, VW≥94

CQS: WW≥94, CW≥94, VW≥94

TLCI: WW≥95, CW≥95, VW≥95

TV LIGHT PANEL 2000 series with outstanding floodlight and soft light, widely applied to photographic studio, TV station, conference room, shopping mall; Battery backup for user operation without connecting to the mains.

Technical Specifications



Light Source

- Light Source:
480 CW LED(CW)
480 WW LED(WW)
480 CW LED + 480 WW LED(VW)
- Color Temperature Output of Fixture:
5,600±250K (CW)
3,200±150K (WW)
3,200±150K-5,600±250K (VW)

Optical System

- CRI: WW≥95, CW≥94, VW≥94
- CQS:WW≥94, CW≥94, VW≥94
- TLCI:WW≥95, CW≥95, VW≥95
- Beam Angle: 114°
- Field Angle: 162°

Other Effects

- TV LIGHT PANEL 2000 series with outstanding floodlight and soft light, widely applied to photographic studio, TV station, conference room, shopping mall; Battery backup for user operation without connecting to the mains.

Control

- 4-button, 1-knob
- Display: LCD display
- Protocols: RDM, DMX512, Show Mode, Art-Net
- DMX Protocol Modes: 4
- Control Channels:
1/2A/2B/3 (CW/WW)
2/3A/3B/4/5/6 (VW)
- Firmware Upgrade: Upgrade via DMX link

Electrical and Connectors

- Power supply with electronic auto-ranging
- Input voltage range: 100-240Vac; 50/60 Hz
- Power Consumption: 186W
- Power In/Out: Power Connector in (TRUE1 type)
- Data In/Out: 5-pin XLR, RJ45 connector

Fixture Specifications

- Fixture Dimensions:
668 x 148 x 487 mm (26.2" x 5.8" x 19.1")
- Weight: 10.0 kg (22.0 lbs)

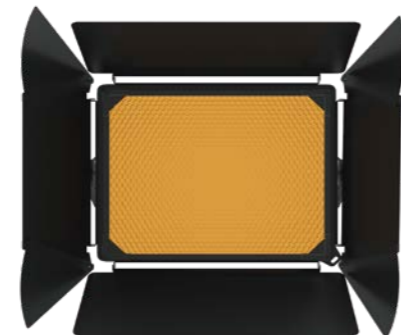
Work Environment

- Maximum Ambient Temperature: 40°C
- Maximum Surface Temperature: 65°C
- Minimum Operating Temperature: 0°C
- Protection Rating: IP20

Installation

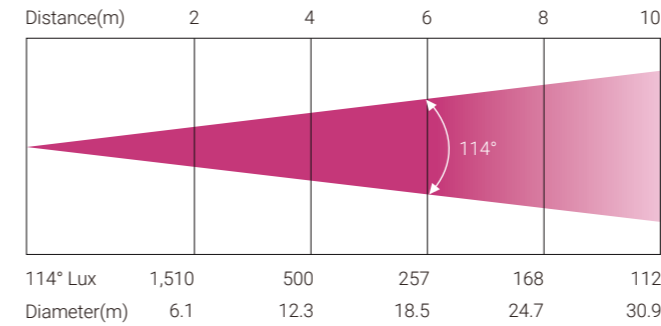
- Horizontally or vertically mounting
- Universal working position
- The feet support with 3 locking points
- Safety cable attachment point

Included Barndoor

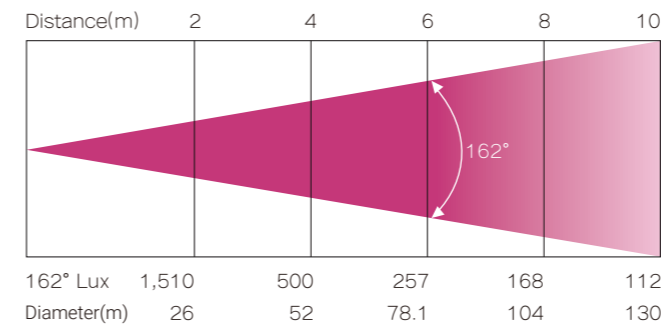


Photometric (Images)

Beam Angle:



Field Angle:



Specifications subject to change without notice.
12/17/2024