

Ellipsoidal

E-300 CW / WW



Light Source
1 x 280W CW/WW LED



Main Features

Super smooth and uniform flat light

Clear image and sharp edge
Smooth dimming 0-100%
With strobe effect and gradients effect

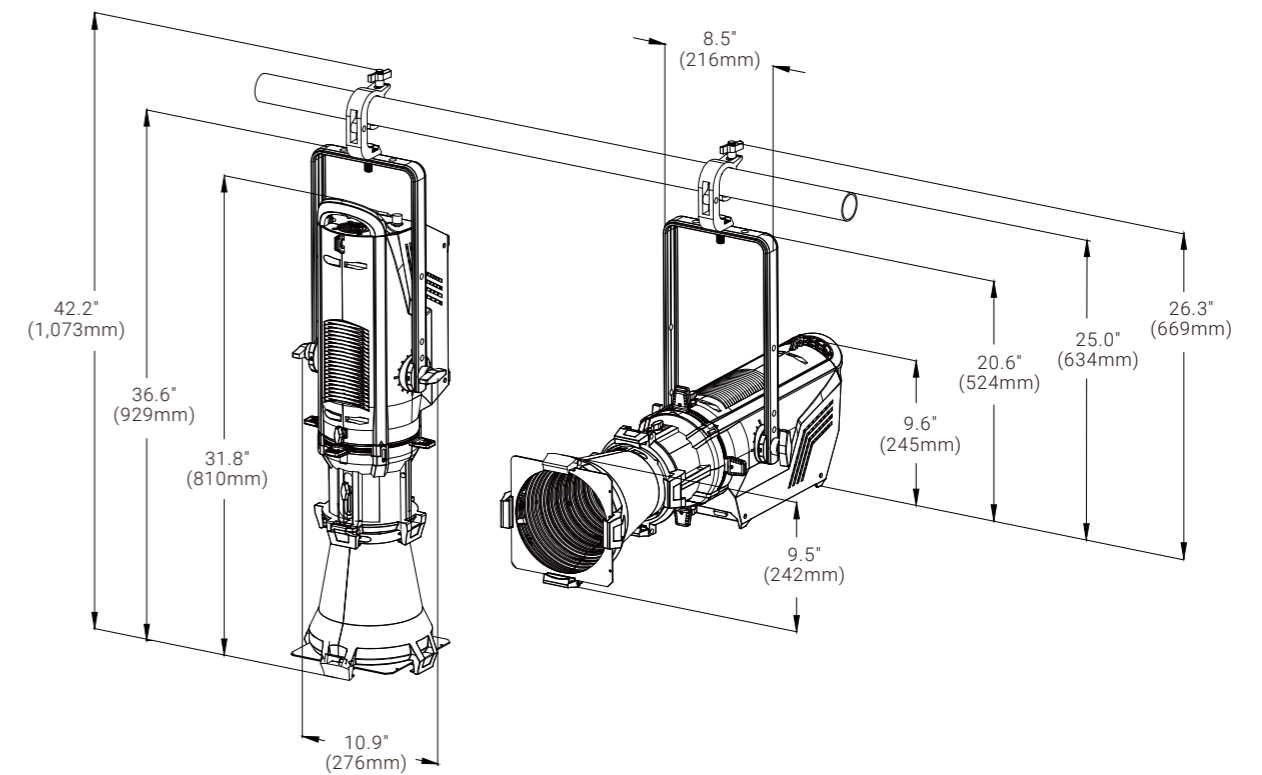
Outstanding heat dissipation design,

long lifespan for LED
Low noise under 25dB @ 1m

Lens Options: 5°/11°/14°/19°/26°/36°/50°/70°

Framing Module Beam Angle Options 1: 5°/11°/14°/19°/26°
Framing Module Beam Angle Options 2: 36°/ 50°/70°

Technical Specifications



Light Source

- Light Source: 1 x 280W CW/WW LED
- Color Temperature Output of Fixture:
3,100±150K (WW)
5,600±200K (CW)

Optical System

- Lens Options: 5°/11°/14°/19°/26°/36°/50°/70°
- Framing Module Beam Angle Options 1: 5°/11°/14°/19°/26°
Framing Module Beam Angle Options 2: 36°/ 50°/70°
- CRI: WW≥90, CW≥85
- CQS: WW≥91, CW≥88
- TLCI: WW≥94, CW≥90

Other Effects

- Super smooth and uniform flat light
- Clear image and sharp edge
- Smooth dimming 0-100%
- With strobe effect and gradients effect
- Outstanding heat dissipation design, long lifespan for LED
- Low noise under 25dB @ 1m

Control

- Display: LCD display
- DMX Protocol Modes: 3
- Control Channels: 1/2/2D
- Protocols: DMX, Art-Net, Show Mode, manual dimming
- Firmware Upgrade: Upgrade via DMX link

Electrical and Connectors

- Input Voltage Range: 100-240Vac; 50/60Hz
- Power Consumption: 335W
- Power In/Out: Power Connector in/out (TRUE1 type)
- Data In/Out: 3-pin or 5-pin XLR

Physical Information

- Fixture Dimensions:
712 x 276 x 245 mm (28.0" x 10.8" x 9.6")
- Weight: 10.0 kg (22.0 lbs)

Work Environment

- Maximum Ambient Temperature: 40°C
- Minimum Operating Temperature: 0°C
- Maximum Surface Temperature: 65°C
- Protection Rating: IP20

Installation

- Horizontally or vertically mounting
- Universal working position
- Safety cable attachment point



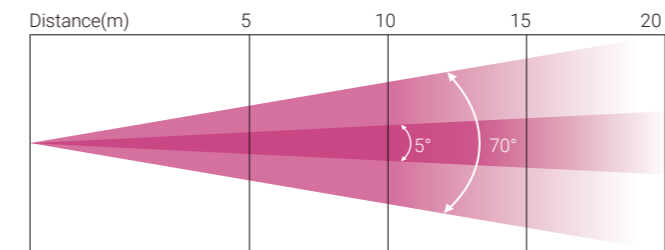
(ELLIPSOIDAL 300 CW)



(ELLIPSOIDAL 300 WW)

Photometric (Images)

ELLIPSOIDAL 300 CW/WW:



Distance(m)	5	10	15	20
5° Lux	42,000	11,000	4,600	2,625
11° Lux	12,600	3,200	1,400	780
14° Lux	8,000	2,000	880	500
19° Lux	4,400	1,100	480	275
26° Lux	2,240	560	240	140
36° Lux	1,440	360	160	90
50° Lux	720	180	80	45
70° Lux	390	98	40	24

